

XLR Plug

4 Way, Left Hand Thread, Silver

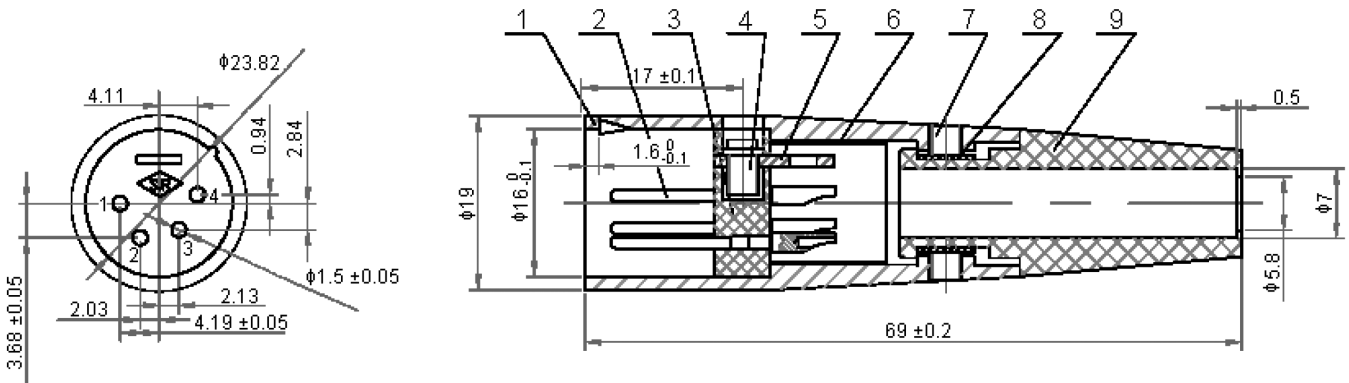


Specifications:

Connector Type : XLR
 No. of Contacts : 4
 Gender : Plug
 Connector Mounting : Cable
 Termination Method : Solder

Features:

- The tall cover could not shrink, and ID should be hold 6.5mm wire
- Insulator could not too tight as putting into zinc housing
- Tolerance of no moulding: ± 0.1



The pin plating silver, thickness 0.5 μ m (SOLDER).

Dimensions : Millimetres

Part Number Table

Description	Item	Part Name	Material	Plating	Part Number
XLR Plug - 4 Way, Left Hand Thread, Silver	1	Die-cast Shell	ZZnA14-1	Nickel	SVP555H-4P
	2	Pin	H59-1	Silver	
	3	Insulator	PBT	-	
	4	Bolt	H59-1	Nickel	
	5	Terminal (Big)	H62	Silver	
	6	Plastic Cover	PP	-	
	7	Wire-clamp Screw	H59-1	Nickel	
	8	Shell Metal	A3		
	9	Boot	PVC	-	

Important Notice : This data sheet and its contents (the "Information") belong to the members of the Premier Farnell group of companies (the "Group") or are licensed to it. No licence is granted for the use of it other than for information purposes in connection with the products to which it relates. No licence of any intellectual property rights is granted. The Information is subject to change without notice and replaces all data sheets previously supplied. The Information supplied is believed to be accurate but the Group assumes no responsibility for its accuracy or completeness, any error in or omission from it or for any use made of it. Users of this data sheet should check for themselves the Information and the suitability of the products for their purpose and not make any assumptions based on information included or omitted. Liability for loss or damage resulting from any reliance on the Information or use of it (including liability resulting from negligence or where the Group was aware of the possibility of such loss or damage arising) is excluded. This will not operate to limit or restrict the Group's liability for death or personal injury resulting from its negligence. Multicomp is the registered trademark of the Group. © Premier Farnell plc 2012.

www.element14.com
 www.farnell.com
 www.newark.com

