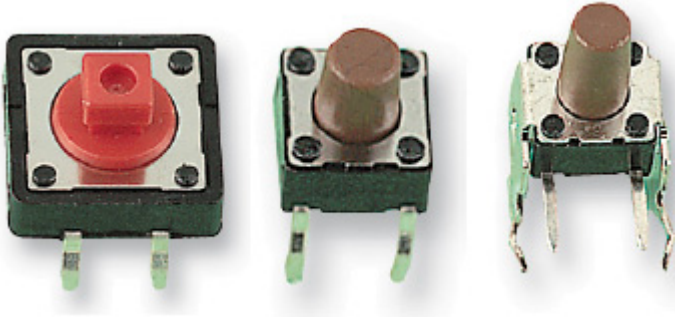


Tact Switches - SPNO & Caps



MCDTS Series



Features:

- Sharp click feel with a positive tactile feedback. Due to small movement distance (stroke), user experiences distinct sensation when the switch “clicks” into place
- Ultraminiature and light weight structure suitable for high density mounting. Economic with high reliability
- Insert moulding in the contact has a special treatment which prevents flux build-up during soldering and permits auto-dipping
- Comprehensive range of SPNO tact switches
- Select by overall height, body, actuator length, and operating force

Specifications:

Materials

Cover	: Stainless steel
Base	: Nylon thermoplastic
Colour	: Black
Stem	: Nylon thermoplastic
Colours	: Black (100 gf), Brown (160 gf), Red (260 gf)
Contact Disc	: Phosphor bronze with silver cladding
Terminal	: Brass with silver cladding
Cap	: Thermoplastic ABS

Mechanical

Operation force	: 160 ±50 gf Brown (N) 260 ±50 gf Red (R) 100 ±50 gf Black (K) 350 g Salone (S)
Stop Strength	: Place the switch such that a vertical, static load of 3kgf shall be applied in the direction of the stem operation for a period of 15 seconds
Stroke	: (12 × 12) 0.35 ±0.1 mm (6 × 6) 0.25 +0.2 mm / -0.1 mm
Operating Temperature	: -25°C to +70°C
Storage Temperature	: -30°C to +80°C
Vibration Test	: MIL-STD-202F method 201A Frequency : 10 - 55 -10Hz/1 minute Directions : X, Y, Z three mutually perpendicular directions Time : 2 hours each direction High reliability
Shock Test	: MIL-STD-202F method 213B Condition A Gravity : 50 G (peak value), 11 m seconds Direction and Times : 6 sides and 3 times in each direction High reliability

Electrical

Electrical Life	: 260 gf has 50,000 cycles 100 gf, 160 gf has 500,000 cycles
Current Rating	: 50 mA, 12 V dc

Tact Switches - SPNO & Caps



MCDTS Series

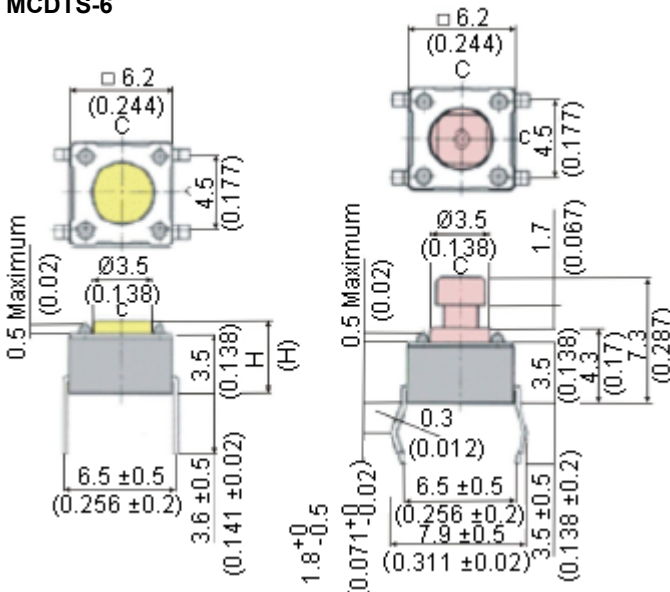
Contact Resistance	: 100 m maximum
Insulation Resistance	: 10 M 500 V dc
Dielectric Strength	: 250 V ac / 1 minute
Wave Solder	: 260°C maximum 5 seconds 1.6 mm PCB
Hand Solder	: 320°C 2 seconds 30 W iron
PCB Hole Diameter	: 1 ±0.05 mm

Soldering Process

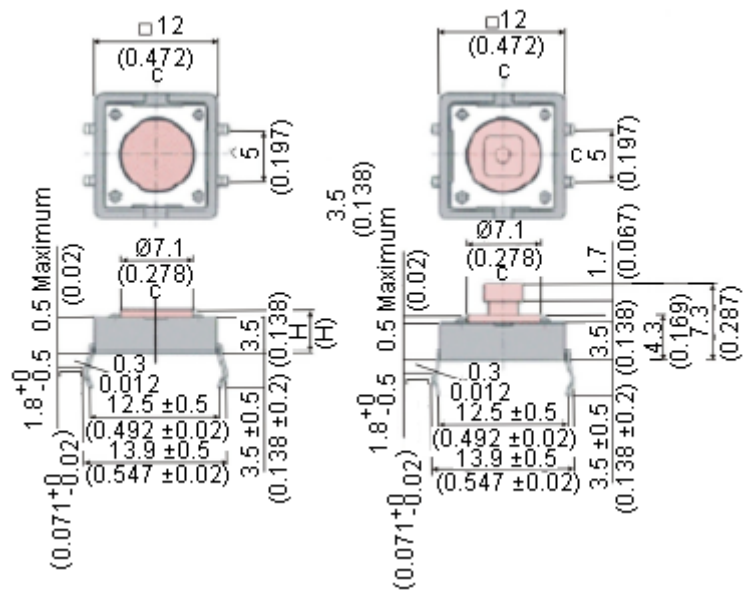
- Wave Soldering : Recommended solder temperature at 500°F (260°C) maximum 5 seconds subject to PCB thickness of 1.6 mm
- Hand Soldering : Use a soldering iron of 30 watts, controlled at 08°F (320°C) approximately for 2 seconds while applying solder

Dimensions:

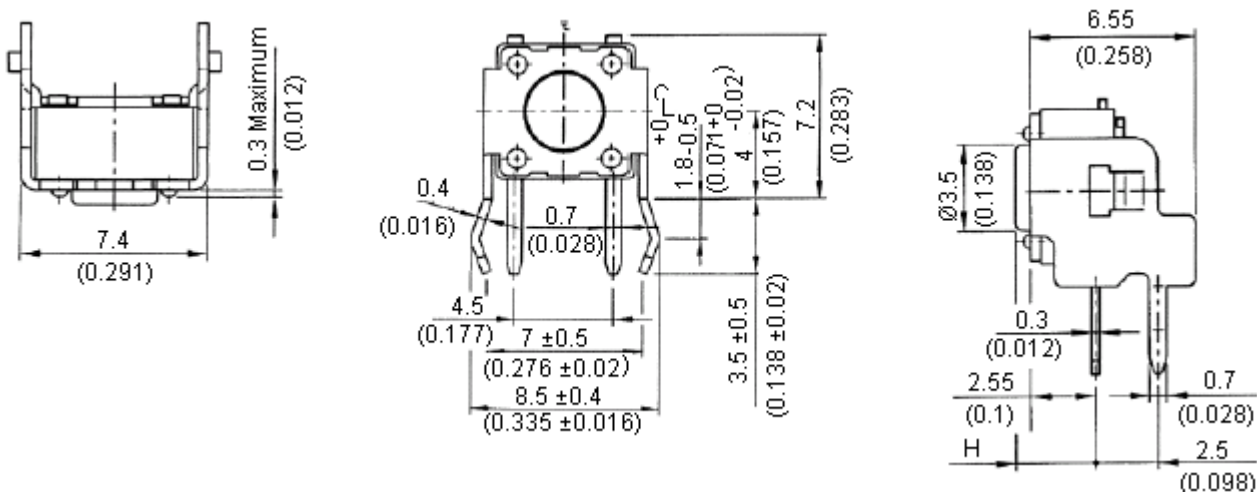
MCDTS-6



MCDTS-2



MCDTSA6



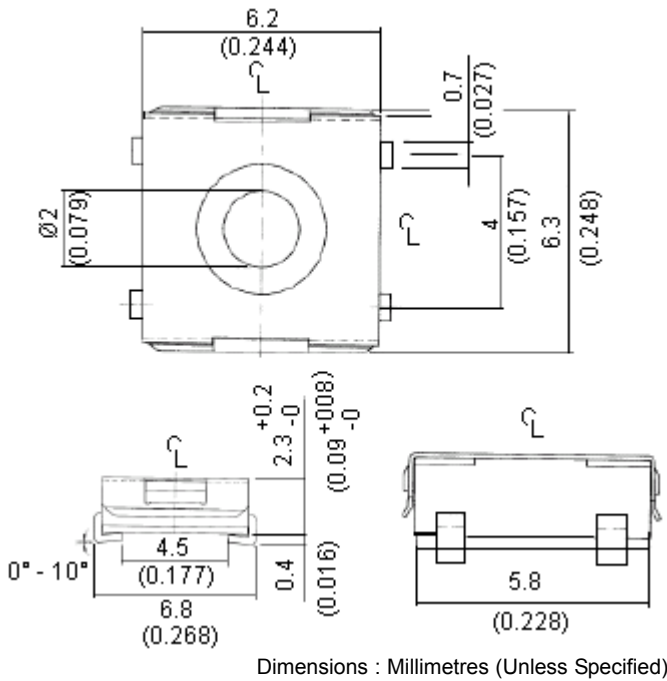
Dimensions : Millimetres (Unless Specified)

Tact Switches - SPNO & Caps



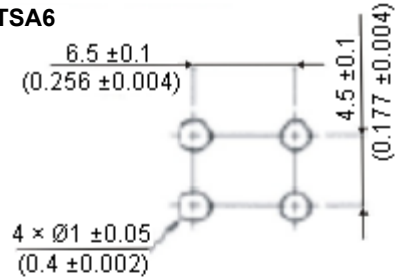
MCDTS Series

MCDTSJW6

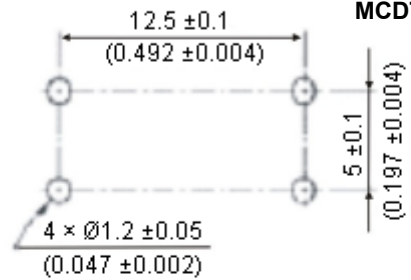


P.C.B. Layout

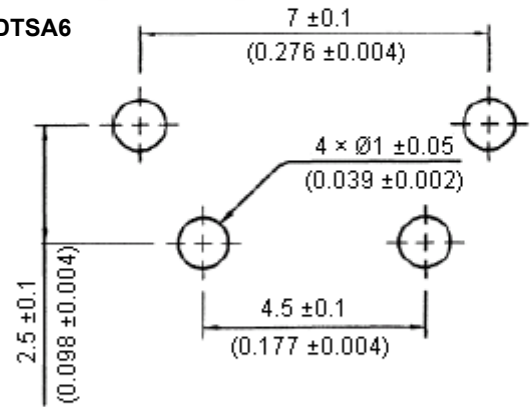
MCDTSA6



MCDTS-2

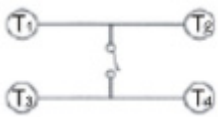


MCDTSA6

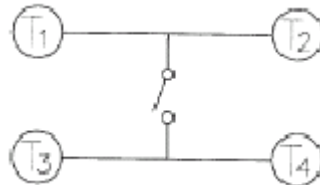


Circuit

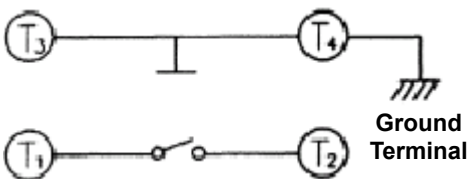
MCDTS-2 and MCDTS-6



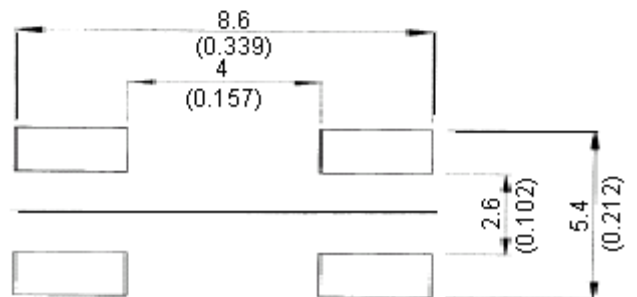
MCDTSJW6



MCDTSA6



MCDTSJW6



Dimensions : Millimetres (Inches)

MCDTS2 Series (12 mm × 12 mm)

Actuator Style / Operating Force (gf)	PCB Drilling	Part Number
4.3 / 160	12.5 × 5	MCDTS2-1N
7.3 (SQ) × 3.8 / 260		MCDTS2-4R
4.3 / 260		MCDTS2-1R

Dimensions : Millimetres (Unless Specified)

Specification Table

Termination Type	Part Number
J Type S.M.T.	MCDTSJW6-6N



Tact Switches - SPNO & Caps



MCDTS Series

MCDTS6 Series (6 mm × 6 mm)

Overall Height / Operating Force (gf)	PCB Drilling	Part Number
4.3 / 100	6.5 × 4.5	MCDTS6-1K
4.3 / 160		MCDTS6-1N
4.3 / 260		MCDTS6-1R
5 / 160		MCDTS6-2N
5 / 260		MCDTS6-2R
7 / 100		MCDTS6-3K
7 / 160		MCDTS6-3N
7 / 260		MCDTS6-3R
9.5 / 100		MCDTS6-5K
9.5 / 160		MCDTS6-5N
9.5 / 260		MCDTS6-5R
8.35 / 100		-
8.35 / 160	-	MCDTSA6-5N
8.35 / 260	-	MCDTSA6-5R
3.85 / 100	-	MCDTSA6-2K
3.85 / 160	-	MCDTSA6-2N

Dimensions : Millimetres (Unless Specified)

MCDTSHW6



Features:

- High reliability, long operating life
- MCDTSHW6 Series (6 mm × 6 mm) Washable - PCB drilling 6.5 mm × 4 mm

Specifications:

Electrical	
Current Rating	: 50mA
Minimum Voltage Rating	: 12 V dc
Maximum Contact Resistance	: 100 m
Insulation Resistance	: 10 M 500 V dc
Dielectric Strength	: 250 V ac / 1 minute
Stop Strength	: 3 kgf 15 Seconds
Wave Solder	: 260°C maximum 5 s 1.6 mm PCB
Electrical Life	: 100,000 operations minimum
Hand Solder	: 320°C 2 S 30 W iron
PCB Hole Diameter	: 1 ±0.05 mm
Operating Temperature	: -25°C to +70°C

Specifications Table

Overall Height / Operating Force (gf)	Part Number
3.8 / 160	MCDTSHW6-9N-B

Dimensions : Millimetres (Unless Specified)

Important Notice : This data sheet and its contents (the "Information") belong to the members of the Premier Farnell group of companies (the "Group") or are licensed to it. No licence is granted for the use of it other than for information purposes in connection with the products to which it relates. No licence of any intellectual property rights is granted. The Information is subject to change without notice and replaces all data sheets previously supplied. The Information supplied is believed to be accurate but the Group assumes no responsibility for its accuracy or completeness, any error in or omission from it or for any use made of it. Users of this data sheet should check for themselves the Information and the suitability of the products for their purpose and not make any assumptions based on information included or omitted. Liability for loss or damage resulting from any reliance on the Information or use of it (including liability resulting from negligence or where the Group was aware of the possibility of such loss or damage arising) is excluded. This will not operate to limit or restrict the Group's liability for death or personal injury resulting from its negligence. Multicomp is the registered trademark of the Group. © Premier Farnell plc 2012.