

SMD Super Bright LEDs

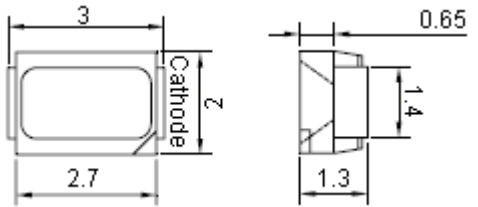


Features:

- High brightness
- Low profile, flat top design
- Super wide viewing angle

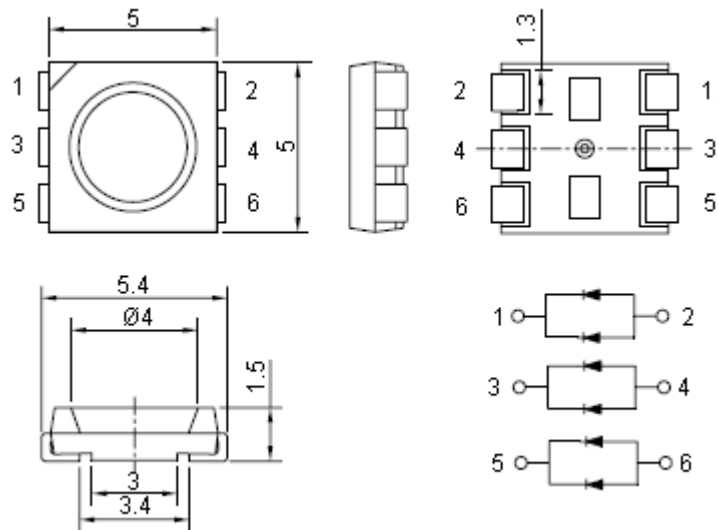
Surface Super Bright LED's

OVS-3101
(3 × 2 mm)



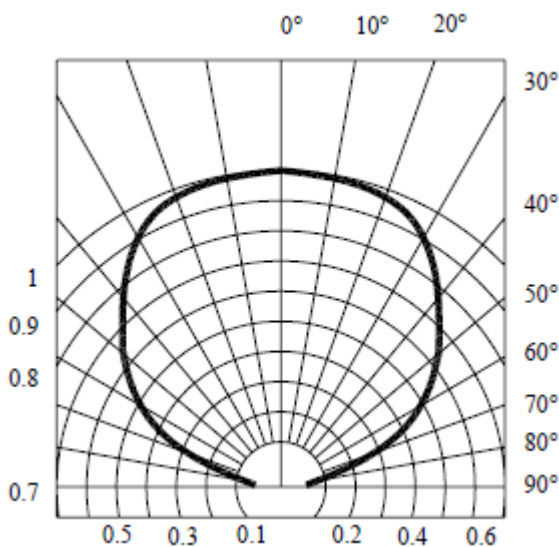
Dimensions : Millimetres

OVS-5101
(5 × 5 × 1.5 mm)



Dimensions : Millimetres

Radiation Diagrams



SMD Super Bright LEDs



Maximum Ratings at T_a = 25°C

Reverse Voltage (<100 µA)	: 5 V
D.C. Forward Current	: 30 mA
Pulse Current (Pulse Width of 0.1 ms, 1 / 10 Duty Cycle)	: 100 mA
Operating Temperature Range	: -25 to +85°C
Storage Temperature Range	: -40 to 100°C
Soldering Temperature Dip Soldering	: 260°C for 5 s
Soldering Temperature Hand Soldering	: 350°C for 3 s

Electrical and Optical Characteristics at T_a = 25° C

LED Chip			Lens Colours	Co-Ordinates for CIE Chromaticity at 20 mA		Luminous Intensity (mcd) at 20 mA		Forward Voltage (V) at 20 mA		Viewing Angle 2θ ^{1/2} (°)	Part Number
Material	Emitted Colours	Brightness		X Axis	Y Axis	Minimum	Typical	Typical	Maximum		
InGaN / Sapphire	White	Mega	Water Clear	0.31	0.3	700	1,000	3.2	4	120	OVS-3101
InGaN / Sapphire	White	Mega	Water Clear	0.3	0.29	2,750	6,600				OVS-5101

Important Notice : This data sheet and its contents (the "Information") belong to the members of the Premier Farnell group of companies (the "Group") or are licensed to it. No licence is granted for the use of it other than for information purposes in connection with the products to which it relates. No licence of any intellectual property rights is granted. The Information is subject to change without notice and replaces all data sheets previously supplied. The Information supplied is believed to be accurate but the Group assumes no responsibility for its accuracy or completeness, any error in or omission from it or for any use made of it. Users of this data sheet should check for themselves the Information and the suitability of the products for their purpose and not make any assumptions based on information included or omitted. Liability for loss or damage resulting from any reliance on the Information or use of it (including liability resulting from negligence or where the Group was aware of the possibility of such loss or damage arising) is excluded. This will not operate to limit or restrict the Group's liability for death or personal injury resulting from its negligence. Multicomp is the registered trademark of the Group. © Premier Farnell plc 2012.