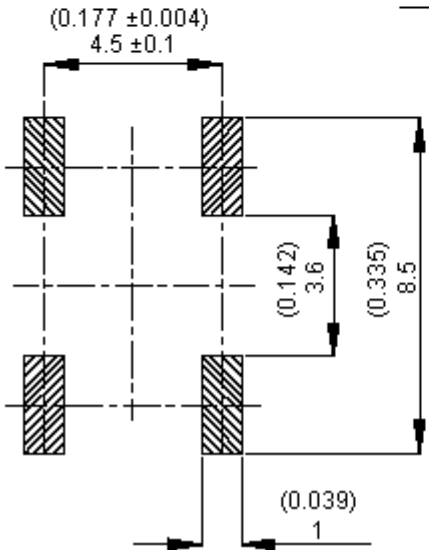
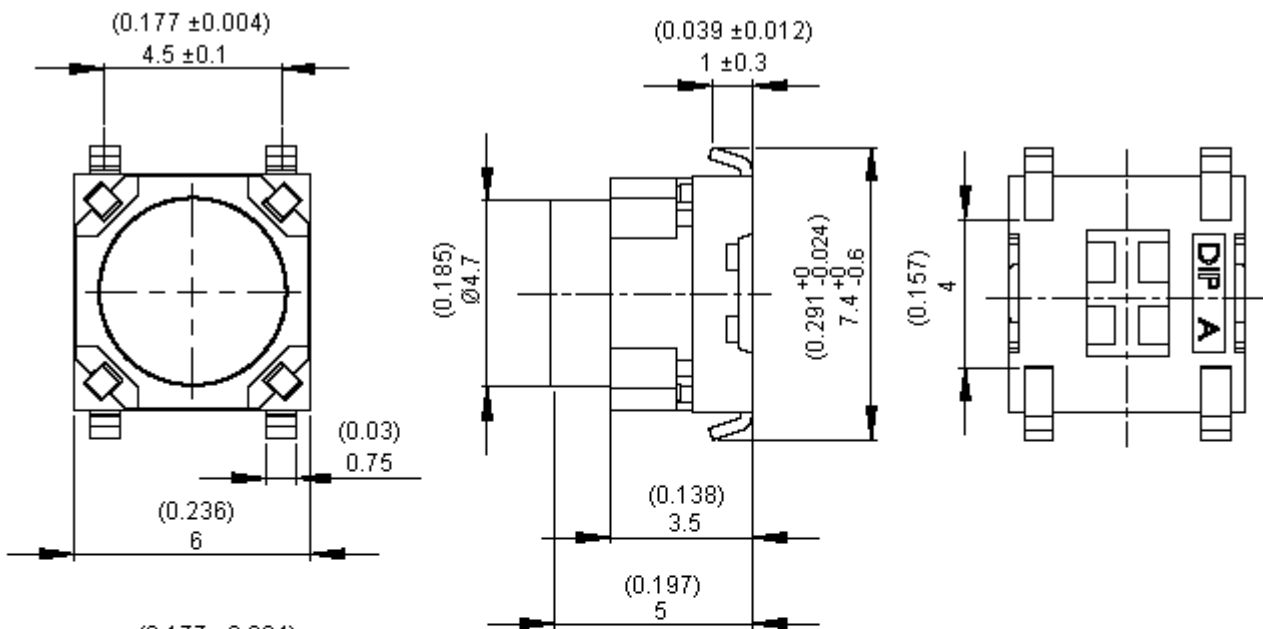
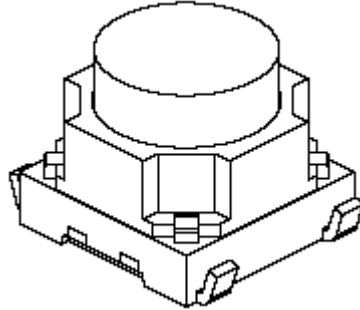
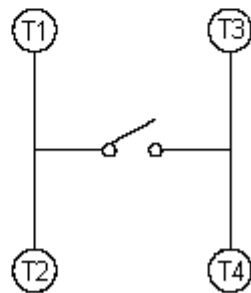


Push Button TACT Switch



PCB Layout



Circuit Diagram

Dimensions : Millimetres (Inches)

Push Button TACT Switch



Specifications:

Mechanical

Mechanical Life	: 30,000 operations
Operating Force	: 200 ±150 gf red (R)
Operating Temperature	: -40 to +85°C
Storage Temperature	: -40 to +85°C
Stroke	: 1.3 + 0.1 / -0.3 mm

Electrical

Electrical Life	: 30,000 cycles
Rating	: 50 mA, 12 V dc
Maximum Contact Resistance	: 100 mΩ at 500 V dc
Minimum Insulation Resistance	: 100 MΩ at 500 V dc
Dielectric Strength	: 300 V ac / 1 minute
Contact Arrangement	: 1 pole 1 throw

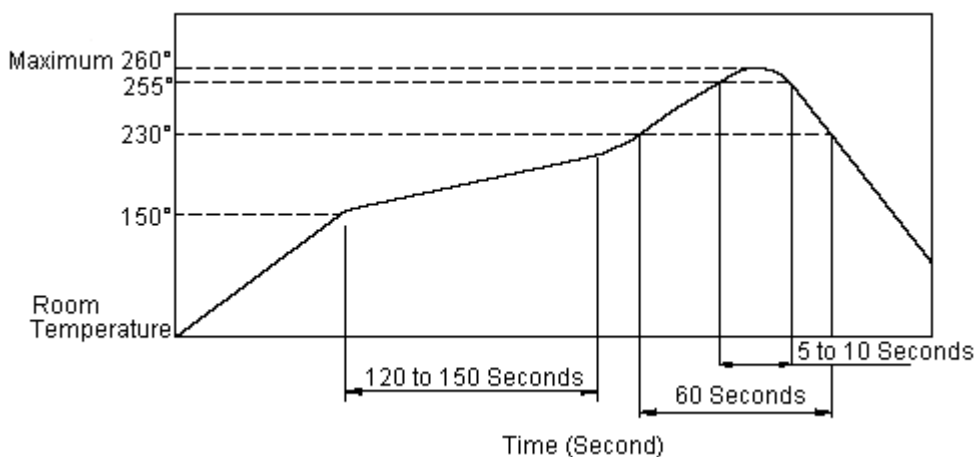
Materials

Cover	: Nylon UL 94V-0 high-temperature thermoplastic Colour : Black
Silicone Dome	: Silicone rubber with metal contact With gold plating
Stem	: Nylon UL 94V-0 high-temperature thermoplastic Colour : Red
Base	: Nylon UL 94V-0 high-temperature thermoplastic Colour : Black
Terminal	: Brass, with silver plating

Soldering Process

Hand Soldering : Use a soldering iron of 30 watts, controlled at 350°C approximately 5 seconds while applying solder

Reflow Soldering : When applying reflow soldering, the peak temperature or the reflow oven should be set to 260°C maximum



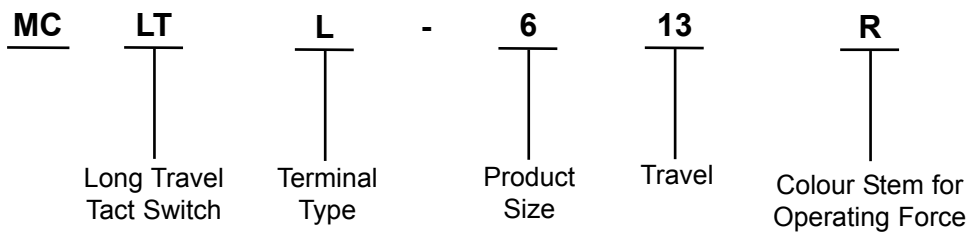
Reflow Temperature Profile

Push Button TACT Switch

Part Number Table

Description	Part Number
Tactile Switch, SPST, SMD	MCLTL-613R

Part Number Explanation:



Terminal Type : L = With L SMT terminal
Product Size : 6 = 6 × 6 mm
Travel : 13 = 1.3 mm
Colour Stem for Operating Force : R = 200 gf

Important Notice : This data sheet and its contents (the "Information") belong to the members of the Premier Farnell group of companies (the "Group") or are licensed to it. No licence is granted for the use of it other than for information purposes in connection with the products to which it relates. No licence of any intellectual property rights is granted. The Information is subject to change without notice and replaces all data sheets previously supplied. The Information supplied is believed to be accurate but the Group assumes no responsibility for its accuracy or completeness, any error in or omission from it or for any use made of it. Users of this data sheet should check for themselves the Information and the suitability of the products for their purpose and not make any assumptions based on information included or omitted. Liability for loss or damage resulting from any reliance on the Information or use of it (including liability resulting from negligence or where the Group was aware of the possibility of such loss or damage arising) is excluded. This will not operate to limit or restrict the Group's liability for death or personal injury resulting from its negligence. Multicomp is the registered trademark of the Group. © Premier Farnell plc 2012.