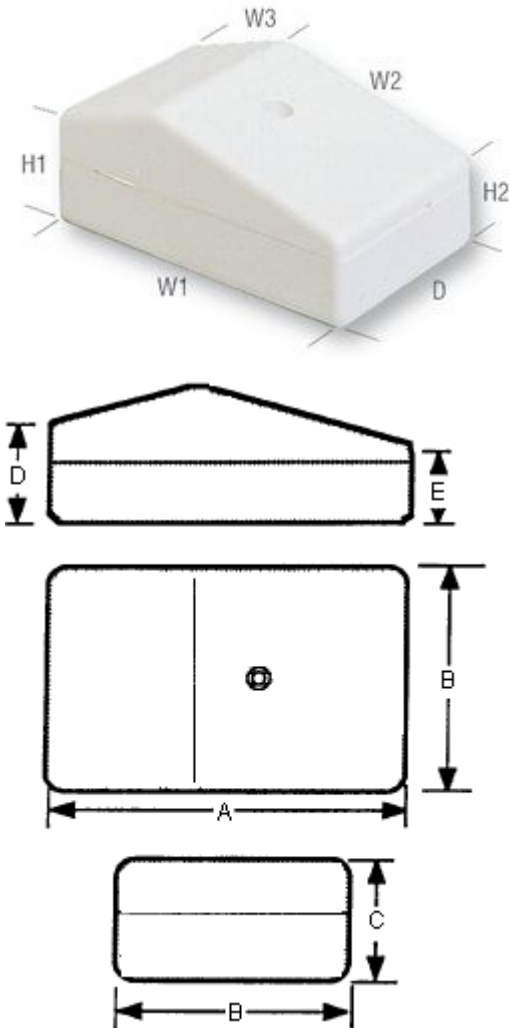


## SCB1W



Dimensions : Millimetres

### Features:

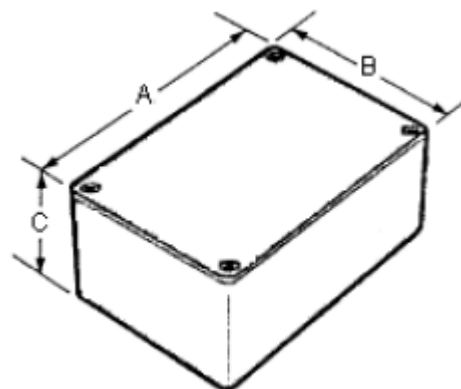
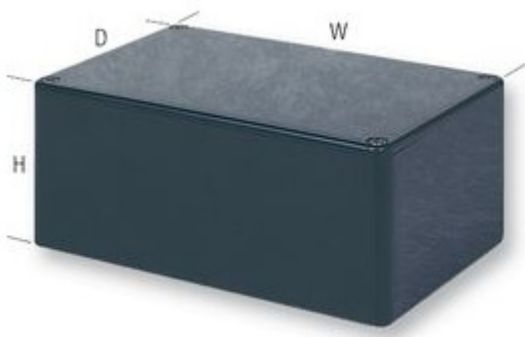
#### SCB1W

- Small multipurpose boxes with lids
- These boxes are moulded in ABS to give maximum strength but can be easily punched or drilled for individual requirements and to produce a professional looking end product
- Lid retained by countersunk self tapping screws

#### T3, T3G and T4

- Miniature sloping module case
- A highly adaptable miniature case ergonomically designed for desk and dashboard packet can be used either way up for the desired application
- Manufactured from high-impact black ABS with single self-tapping panel on the largest flat surface
- A cable knock-out is provided for flying lead applications

## T3, T3G and T4



Dimensions : Millimetres

# Small Multipurpose Boxes



## Specification Table

Overall Dimensions					Nominal Wall Thickness	Part Number
A	B	C	D	E		
71	44	28	22	17	2	SCB1W
75	51	25	-	-	1.5	T3
						T3G
111	57	22	-	-	2	T4

Dimensions : Millimetres

**Important Notice** : This data sheet and its contents (the "Information") belong to the members of the Premier Farnell group of companies (the "Group") or are licensed to it. No licence is granted for the use of it other than for information purposes in connection with the products to which it relates. No licence of any intellectual property rights is granted. The Information is subject to change without notice and replaces all data sheets previously supplied. The Information supplied is believed to be accurate but the Group assumes no responsibility for its accuracy or completeness, any error in or omission from it or for any use made of it. Users of this data sheet should check for themselves the Information and the suitability of the products for their purpose and not make any assumptions based on information included or omitted. Liability for loss or damage resulting from any reliance on the Information or use of it (including liability resulting from negligence or where the Group was aware of the possibility of such loss or damage arising) is excluded. This will not operate to limit or restrict the Group's liability for death or personal injury resulting from its negligence. Multicomp is the registered trademark of the Group. © Premier Farnell plc 2012.