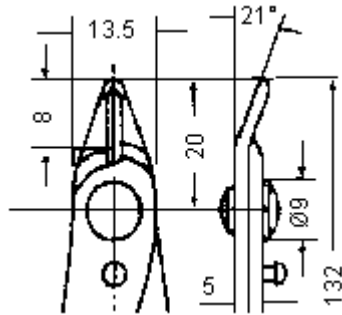
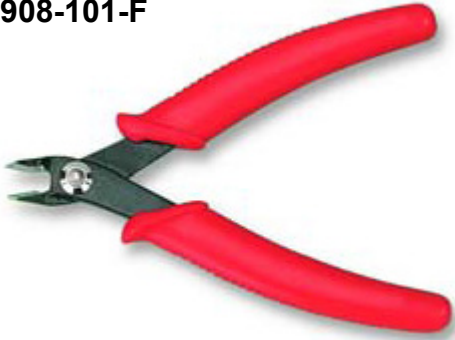


Cutting Pliers

DURATOOL

908-101-F



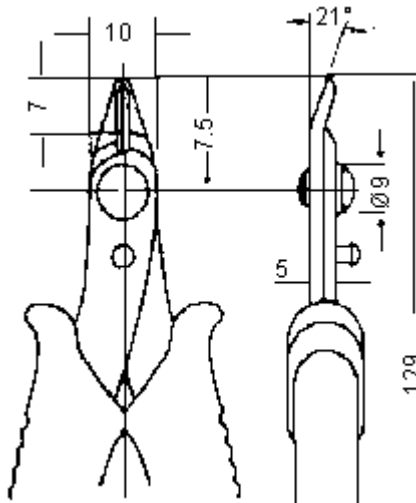
Dimensions : Millimetres

Features:

- An exceptionally clean smooth cut
- Light-weight and easy to handle
- Particularly finished in consideration of its use in the electronic field and for thousands of finishing cuts of leads

Cutting Capacity : 16 AWG (1.3 mm)

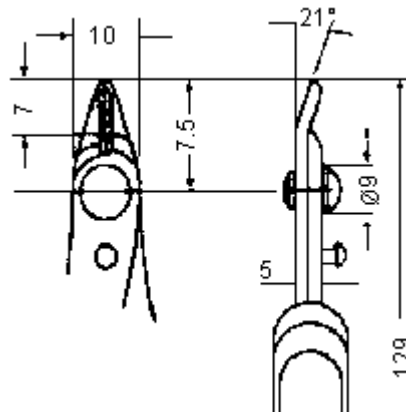
8PK-25P-F



Dimensions : Millimetres

Cutting Capacity : 16 AWG (1.3 mm)

8PK-25P-CF



Dimensions : Millimetres

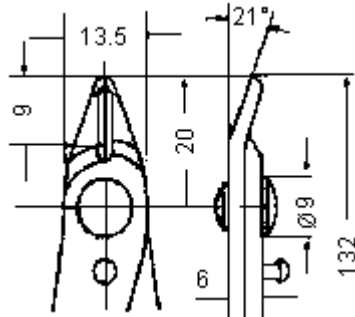
Cutting Capacity : 16 AWG (1.3 mm)

DURATOOL

Cutting Pliers

DURATOOL

8PK-30-F



Cutting Capacity : 14 AWG (11.6 mm)

Dimensions : Millimetres

Part Number Table

Description	Part Number
Cutter, Side, Full Flush, 129 mm	908-101-F
Cutter, Side, Full Flush, 125 mm	8PK-25P-F
Cutter, Side, Full Flush, 125 mm	8PK-25P-CF
Cutter, Side, Full Flush, 127 mm	8PK-30-F

Important Notice : This data sheet and its contents (the "Information") belong to the members of the Premier Farnell group of companies (the "Group") or are licensed to it. No licence is granted for the use of it other than for information purposes in connection with the products to which it relates. No licence of any intellectual property rights is granted. The Information is subject to change without notice and replaces all data sheets previously supplied. The Information supplied is believed to be accurate but the Group assumes no responsibility for its accuracy or completeness, any error in or omission from it or for any use made of it. Users of this data sheet should check for themselves the Information and the suitability of the products for their purpose and not make any assumptions based on information included or omitted. Liability for loss or damage resulting from any reliance on the Information or use of it (including liability resulting from negligence or where the Group was aware of the possibility of such loss or damage arising) is excluded. This will not operate to limit or restrict the Group's liability for death or personal injury resulting from its negligence. DURATOOL is the registered trademark of the Group. © Premier Farnell plc 2012.

www.element14.com
www.farnell.com
www.newark.com
www.cpc.co.uk
www.mcmelectronics.com

DURATOOL