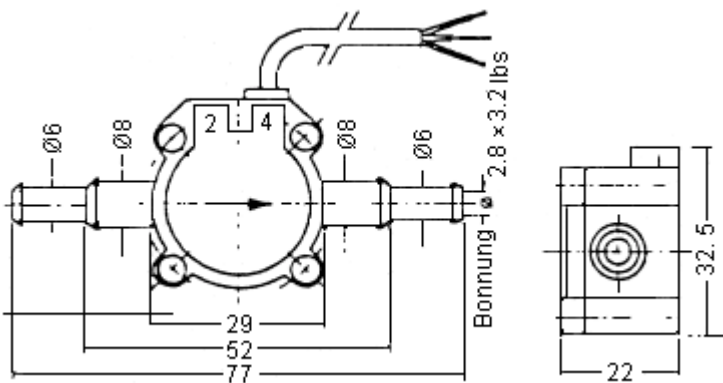


Flow Transducer



Dimensions:



Dimensions : Millimetres

Specifications:

Viscosity range	: ca. 1 to 10 cSt
Sensor to sensor variation	: ±5%
Signal reproducibility	: ±5% at the same working condition
Operating-/bursting pressure	: 10 bar / >30 bar (at 22°C)
Temperature range	: -26°C to +85°C
Pressure drop	: 0 to 1 bar (over range at 1cSt)
Orientation	: As desired (however, most sensitive at low ranges when installed vertically with flow upwards)
Power supply	: 4.5 to 24 V dc, current consumption maximum 15 mA at 24 V
Cable type	: Screened cable
Cable connection	: White or red = V+ : Brown or blue = Output -signal : Screen = 0 V
Body material	: POM (hostaform C) body and rotor, SS shaft and ceramic magnets
Weight	: 75 g approximate (including cable)

Technical Specifications:

Metering principle	: Velocity counter
System	: Hall effect sensor, touchless reading
Output signal	: Square wave pulses from open collector TTL, CMOS and LSI compatible
Flow direction	: Bi-directional (but higher precision at indicated direction)

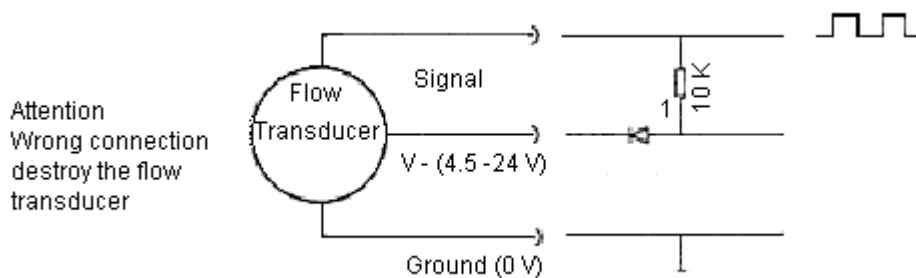
Flow Transducer

Flow Range:

Minimum : 3.0 L / Hr
Maximum : 100 L / Hr
Frequency : 22 Hz at 10 L / Hr
 : 45 Hz at 20 L / Hr
 : 133 Hz at 60 L / Hr

All information relates for H₂O at 22°C

Recommended Connection:



Typical Applications:

Automotive fuel monitoring devices
Fuel / oil, water metering
Low cost flow alarm systems
Low cost educational systems
Dosing systems, e.g. agricultural spraying

Part Number Table

Description	Part Number
Flow Sensor, Liquid	S8011R

Important Notice : This data sheet and its contents (the "Information") belong to the members of the Premier Farnell group of companies (the "Group") or are licensed to it. No licence is granted for the use of it other than for information purposes in connection with the products to which it relates. No licence of any intellectual property rights is granted. The Information is subject to change without notice and replaces all data sheets previously supplied. The Information supplied is believed to be accurate but the Group assumes no responsibility for its accuracy or completeness, any error in or omission from it or for any use made of it. Users of this data sheet should check for themselves the Information and the suitability of the products for their purpose and not make any assumptions based on information included or omitted. Liability for loss or damage resulting from any reliance on the Information or use of it (including liability resulting from negligence or where the Group was aware of the possibility of such loss or damage arising) is excluded. This will not operate to limit or restrict the Group's liability for death or personal injury resulting from its negligence. Multicomp is the registered trademark of the Group. © Premier Farnell plc 2012.