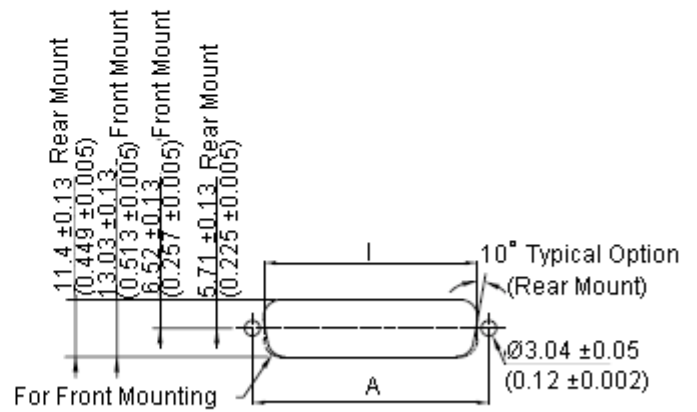
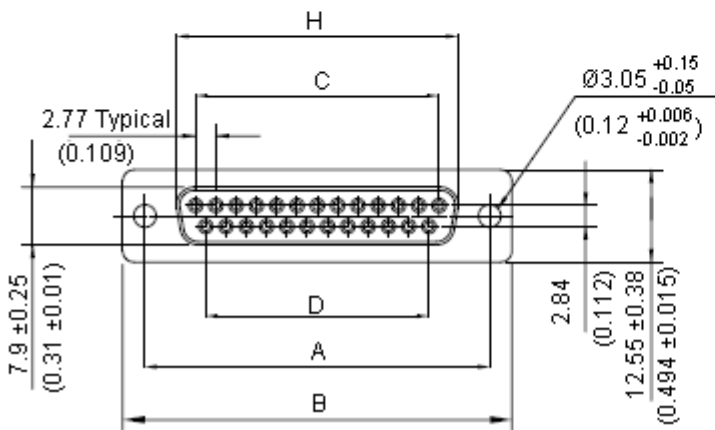
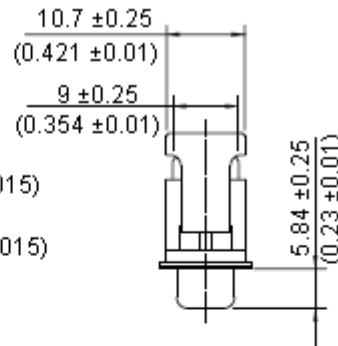
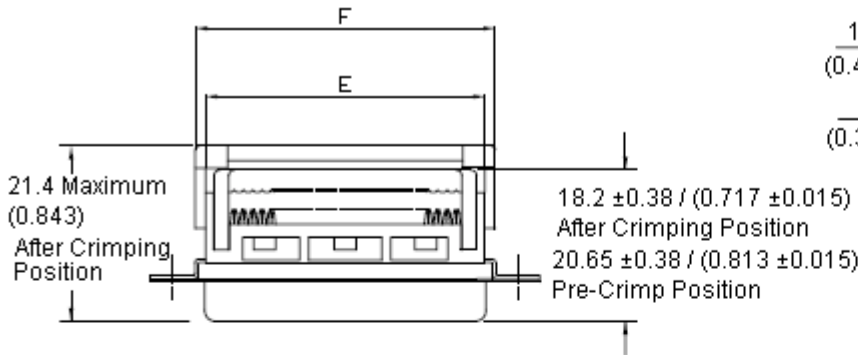


IDC Socket



Specifications:

Insulator Material	: PBT and G / F reinforced, UL 94-VO
Contact Material	: Phosphor bronze, selective gold plated over nickel
Strain Relief Material	: PBT and G / F reinforced, UL 94-VO
Shell Material	: SPCC, Tin or nickel plated
Current Rating	: 1 Ampere
Minimum Insulation Resistance	: 1,000 MΩ (at 500 V dc)
Minimum Dielectric Withstanding Voltage	: 500 V ac (For 1 Minute)
Operating Temperature	: -25°C to 85°C
Maximum Contact Resistance	: 15 mΩ
Wire Size	: AWG 26 and 28 Stranded, 1.27 mm conductor centre flat cable



Recommended Panel Cutout Dimensions

Dimensions : Millimetres (Inches)

Tolerance Unspecified

0	±
0	±0.25
0	±0.38
0	±
Angle	±1°

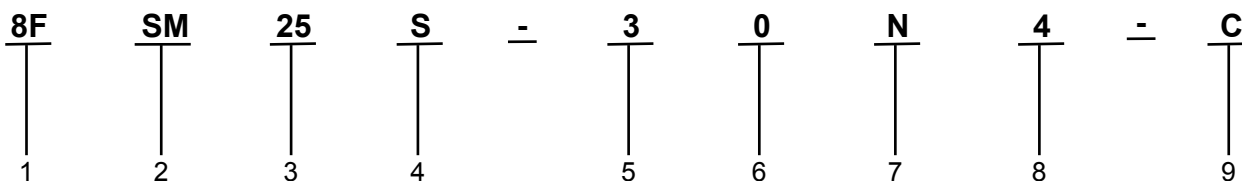


IDC Socket



Number of Positions	± 0.13 A (± 0.005)	± 0.25 B (± 0.01)	± 0.13 C (± 0.005)	± 0.13 D (± 0.005)	± 0.25 E (± 0.01)	± 0.25 F (± 0.01)	± 0.25 H (± 0.01)	I ± 0.13 / (0.005) Rear Mounting	I ± 0.13 / (0.005) Front Mounting	Part Number
25	47.04 (1.852)	53.09 (2.09)	33.24 / (1.309)	30.47 / (1.2)	38.14 / (1.502)	40.9 / (1.61)	38.38 / (1.511)	42.52 / (1.674)	44.27 / (1.743)	8FSM25S- 30N4-FEC

Part Number Explanation:



- | | |
|-------------------------------------|--|
| 1. Series | : 8F D-Sub I.D.C. Connector |
| 2. Housing Construction Type | : SM - Standard Through Holes (With Metal Shell) |
| 3. Number of Contact | : 25 - 25 Positions |
| 4. Contact Type | : S - Socket (Female) |
| 5. Colour Code | : 3 - Black |
| 6. Contact Finish | : 0 - Selective Gold Flash Over 30 μ Inches Nickel |
| 7. Strain Relief | : N - Without Strain Relief |
| 8. Metal Shell Finish | : 4 - Tin Plated Shell (Without Grounding Indents) |
| 9. Suffix Number | : C - For Inland Customer |

Important Notice : This data sheet and its contents (the "Information") belong to the members of the Premier Farnell group of companies (the "Group") or are licensed to it. No licence is granted for the use of it other than for information purposes in connection with the products to which it relates. No licence of any intellectual property rights is granted. The Information is subject to change without notice and replaces all data sheets previously supplied. The Information supplied is believed to be accurate but the Group assumes no responsibility for its accuracy or completeness, any error in or omission from it or for any use made of it. Users of this data sheet should check for themselves the Information and the suitability of the products for their purpose and not make any assumptions based on information included or omitted. Liability for loss or damage resulting from any reliance on the Information or use of it (including liability resulting from negligence or where the Group was aware of the possibility of such loss or damage arising) is excluded. This will not operate to limit or restrict the Group's liability for death or personal injury resulting from its negligence. Multicomp is the registered trademark of the Group. © Premier Farnell plc 2012.