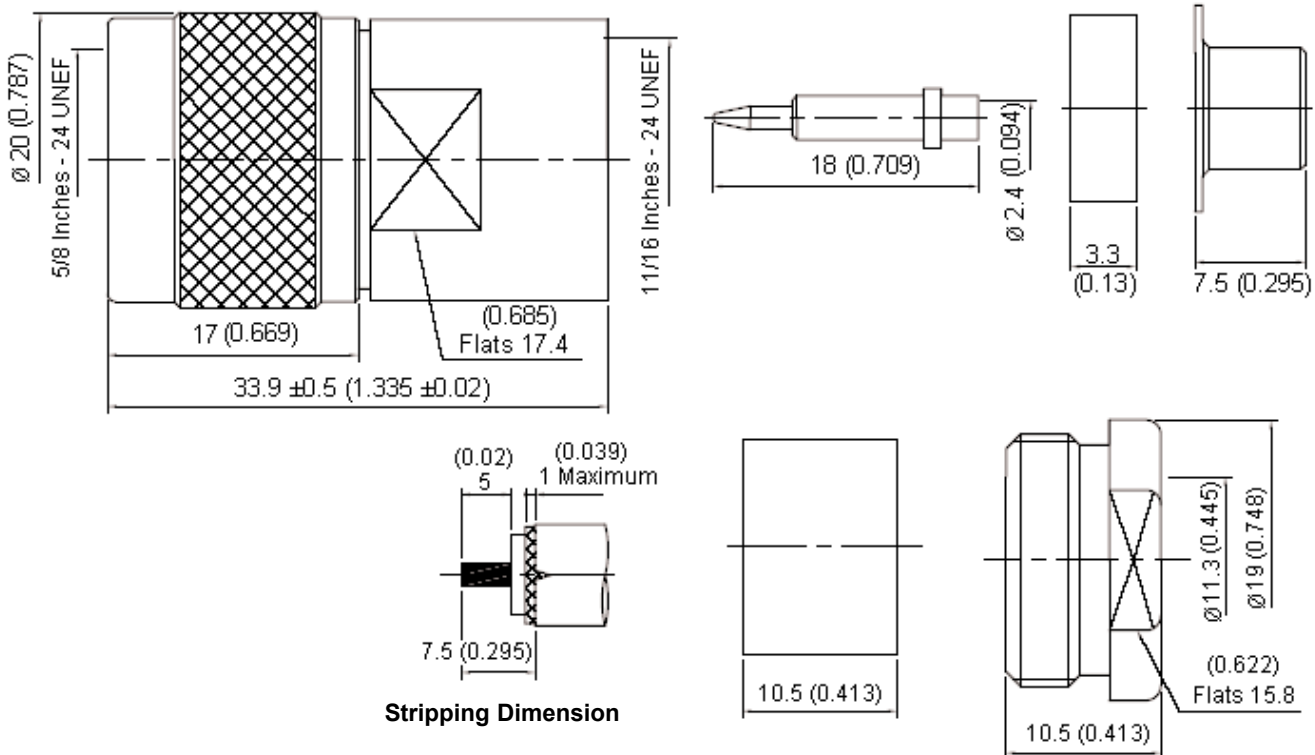


# N Clamp Plug



## Specifications:

Bodies : Brass per JIS-C3604  
 Centre Contact : Brass Per JIS-C3604  
 Insulation : Teflon per ASTM D1457 and ASTM 1710  
 Connector interface per MIL-STD-348 A  
 Part to be clean and free of burrs



Dimensions : Millimetres (Inches)

## Specification Table

Number	Description	Material	Finish	Part Number
1	Centre Contact	Brass	Silver 70 $\mu$ Inches Minimum	11-01B-17 TSS
2	Gasket	Silicone	None	
3	Shell	Brass	Silver 70 $\mu$ Inches Minimum	
4	Washer		None	
5	Insulation	Teflon	None	
6	Sleeve	Brass	Silver 70 $\mu$ Inches Minimum	
7	Gasket	Silicone	None	
8	Body	Brass	Silver 70 $\mu$ Inches Minimum	
9	Nut			

**Important Notice :** This data sheet and its contents (the "Information") belong to the members of the Premier Farnell group of companies (the "Group") or are licensed to it. No licence is granted for the use of it other than for information purposes in connection with the products to which it relates. No licence of any intellectual property rights is granted. The Information is subject to change without notice and replaces all data sheets previously supplied. The Information supplied is believed to be accurate but the Group assumes no responsibility for its accuracy or completeness, any error in or omission from it or for any use made of it. Users of this data sheet should check for themselves the Information and the suitability of the products for their purpose and not make any assumptions based on information included or omitted. Liability for loss or damage resulting from any reliance on the Information or use of it (including liability resulting from negligence or where the Group was aware of the possibility of such loss or damage arising) is excluded. This will not operate to limit or restrict the Group's liability for death or personal injury resulting from its negligence. Multicomp is the registered trademark of the Group. © Premier Farnell plc 2012.