

# Rotary Isolators

## 3 Poles

### LBPM 25 to 63 A :



### Features :



#### LBPM 25 to 63 A :

- Degree of protection IP65
- Panel mount
- 2 hole rear mounting or snap on mounting to 35mm DIN rail
- Operable from the front (door) coupled with the door mechanism
- Door interlock (door opens only in the OFF position)
- Switch with round padlocking device to prevent the switch from being switched on by unauthorised personnel. (The maximum number of padlocks that can be used is 3)

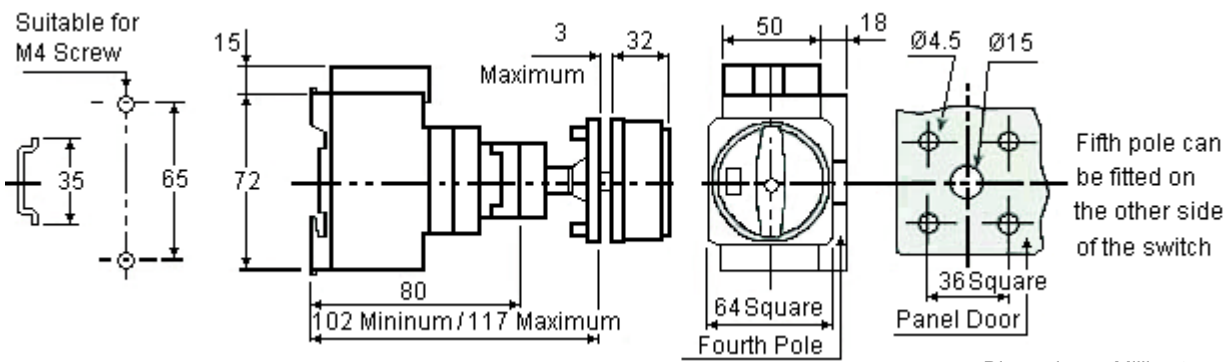
### LBDI 25 to 63 A :



#### LBDI 25 to 63 A :

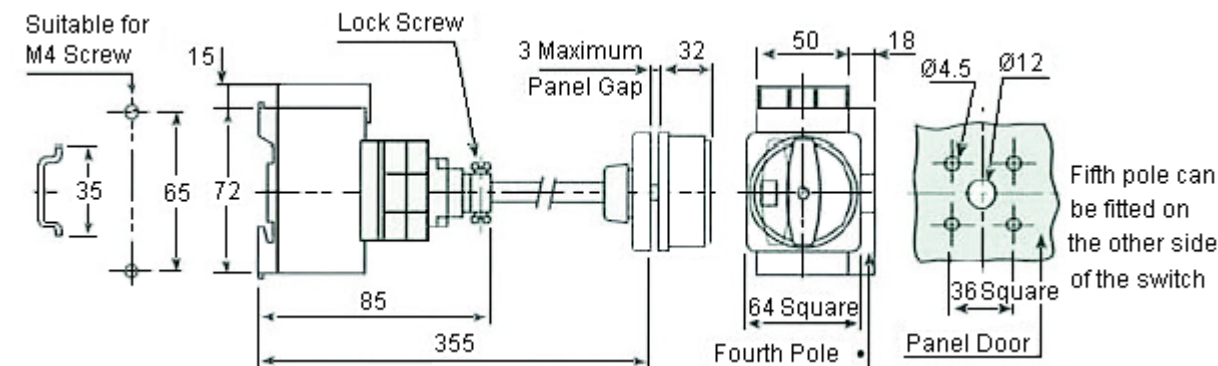
- Degree of protection IP65
- DIN rail mount
- Metal shaft 280mm
- 2 hole rear mounting or snap on mounting to 35mm DIN rail
- Operable from the front (door) coupled with the door mechanism
- Door interlock (door opens only in the OFF position). Rigid metal shaft / switch assembly
- Switch with padlocking device to prevent the switch from being turned to the on position by unauthorised personnel. (The maximum number of padlocks that can be used is 3)
- Adjustable mounting by cutting the metal shaft to appropriate length to suit panel height

### LBPM 25 to 63 A :



Dimensions : Millimetres

### LBDI 25 to 63 A :



Dimensions : Millimetres

# Rotary Isolators



## 3 Poles

<b>Canadian Standards :</b>		CAN / CSA-C22.2 No.14				-				
<b>American Standards :</b>		UL508								
<b>IEC and European Standards :</b>		IEC 60947-1 and 3, EN60947, VDE 0660-107								
<b>Isolator Rating (AC-21)</b>	<b>Measure</b>	<b>Switch Code</b>	<b>LB25</b>	<b>LB32</b>	<b>LB40</b>	<b>LB63</b>	<b>LB80</b>	<b>LB100</b>	<b>LB125</b>	
<b>Rated Operational Voltage, UE</b>										
<b>IEC / EN / VDE</b>	Volts	V	690	690	690	690	690	690	690	
<b>UL / CSA</b>			600	600	600	600	600	600	600	
<b>Main Switch : Isolating Voltage up to</b>			750	750	750	750	750	750	750	
<b>Resistance to Surge Pulse Voltage, Uimp</b>	Amperes	KV	6	6	6	6	6	6	6	
<b>Rated Uninterrupted Current, Iu</b>			A	20	25	32	40	63	100	125
<b>Rated Uninterrupted Current, Ie</b>										
<b>IEC / EN / VDE</b>	<b>AC - 22</b>	Amperes	A	20	25	32	40	63	100	125
	<b>AC - 21A</b>			25	32	40	63	80		
	<b>AC - 1</b>			20	25	32	40	63		
<b>UL / CSA</b>				20	25	32	40	63		
<b>Rated Operational Power at 50 to 60 Hz (IEC / EN / VDE)</b>										
<b>IEC / EN / VDE</b>	<b>AC - 23 A, 3 Phase, 3 Poles</b>	220 - 240 V	kW	4	5.5	7.5	11	15	22	30
		380 - 440 V		7.5	11	15	18.5	30	37	45
		500 - 690 V		11		22		45	55	
	<b>AC - 3 A, 3 Phase, 3 Poles</b>	220 - 240 V		3	4	5.5	7.5	11	18.5	22
		380 - 440 V		5.5	7.5	11	18.5	22	30	37
		500 - 690 V		7.5	11			37	45	
<b>Short Circuit Capacity (IEC / EN / VDE)</b>										
<b>Maximum Fuse Size (Type gL)</b>	Amperes	A	25	25	32	40	63	100	125	
<b>Rated Fused Short Circuit Current</b>		kA	5	30	30	30	30	30	30	
<b>UL / CSA Power Rating</b>										
<b>DOL</b>	<b>3 Phase, 3 Poles</b>	120 V	HP	1.5	3	3	5	7.5	7.5	7.5
		240 V		3	7.5	7.5	10	15	15	15
		480 V		7.5	15	20	20	25	30	40
		600 V		10	20	25	30	30	40	50
	<b>1 Phase</b>	120 V		0.5	1.5	2	3	4.5	3	3
		240 V		1.5	2	3	4	6	7.5	7.5

# Rotary Isolators



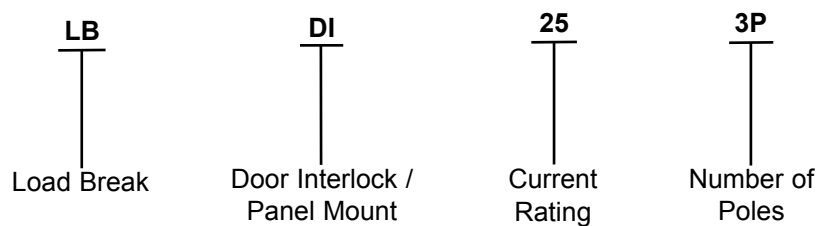
## 3 Poles

Isolator Rating (AC-21)	Measure	Switch Code	LB25	LB32	LB40	LB63	LB80	LB100	LB125
<b>Short Circuit Capacity (UL / CSA)</b>									
<b>Maximum Fuse Size</b>	Amperes	A	25	50	50	70	70	100	125
<b>Fuse (Being Certified with J Type Fuses)</b>	Type	-	J	J, RK5				J	J
<b>Rated Fuse Short Circuit Current</b>	Amperes	kA	5	5	5	5	5	10	10
<b>Terminal Cross Section</b>									
<b>Single / Multiple Strand Wire</b>	Minimum	mm <sup>2</sup>	1.5	1	1	4	4	6	6
	Maximum		6	10	10	16	16	70	70
<b>Fine Strand Wire with Sleeve</b>	Minimum		0.5	0.75	0.75	2.5	2.5	4	4
	Maximum		6	6	6	10	10	50	50
<b>American Wire Gauge</b>	-	AWG	12	8	8	6	6	1	1
<b>Recommended Tightening Torque for Terminals</b>	-	NM	0.8	1.7	1.7	1.7	1.7	2.5	2.5

### Part Number Table

Description	Part Number
Isolator Interlock 25 A 3P	LBDI253P
Isolator Interlock 32 A 3P	LBDI323P
Isolator Interlock 40 A 3P	LBDI403P
Isolator Interlock 63 A 3P	LBDI633P
Isolator Interlock 80 A 3P	LBDI803P
Isolator Interlock 100 A 3P	LBDI1003P
Isolator Interlock 125 A 3P	LBDI1253P
Isolator Panel Mount 25 A 3P	LBPM253P
Isolator Panel Mount 32 A 3P	LBPM323P
Isolator Panel Mount 40 A 3P	LBPM403P
Isolator Panel Mount 63 A 3P	LBPM633P

### Part Number Explanation:



**Door Interlock / Panel Mount** : DI = Door Interlock and PM = Panel Mount

**Current Rating** : 25 = 25 A, 32 = 32 A, 40 = 40 A, 63 = 63 A, 80 = 80 A, 100 = 100 A and 125 = 125 A (AC - 21 A and AC - 1)

**Number of Poles** : 3P = 3 Poles

**Important Notice** : This data sheet and its contents (the "Information") belong to the members of the Premier Farnell group of companies (the "Group") or are licensed to it. No licence is granted for the use of it other than for information purposes in connection with the products to which it relates. No licence of any intellectual property rights is granted. The Information is subject to change without notice and replaces all data sheets previously supplied. The Information supplied is believed to be accurate but the Group assumes no responsibility for its accuracy or completeness, any error in or omission from it or for any use made of it. Users of this data sheet should check for themselves the Information and the suitability of the products for their purpose and not make any assumptions based on information included or omitted. Liability for loss or damage resulting from any reliance on the Information or use of it (including liability resulting from negligence or where the Group was aware of the possibility of such loss or damage arising) is excluded. This will not operate to limit or restrict the Group's liability for death or personal injury resulting from its negligence. Multicomp is the registered trademark of the Group. © Premier Farnell plc 2012.