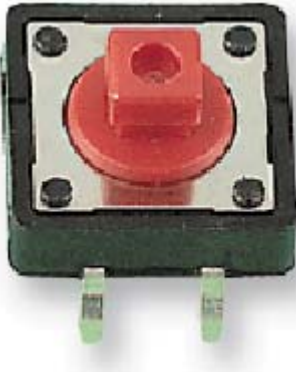


Tactile Switches

SPNO



Features:

- Sharp click feel with a positive tactile feedback. Due to small movement distance (stroke), user experiences distinct sensation when the switch “clicks” into place
- Ultra miniature and light weight structure suitable for high density mounting. Economic with high reliability
- Insert moulding in the contact has a special treatment which prevents flux build-up during soldering and permits auto-dipping
- Comprehensive range of SPNO tact switches
- Select by overall height, body, actuator length and operating force

Materials :

Cover	: Stainless steel
Base	: Nylon thermoplastic Colour : Black
Stem	: Nylon thermoplastic Colour : Black (100 gf), Brown (160 gf), Red (260 gf)
Contact disc	: Phosphor bronze with silver cladding
Terminal	: Brass with silver cladding
Cap	: Thermoplastic ABS

Specifications :

Mechanical

Operation Force	: 160 ±50 gf Brown (N) 260 ±50 gf Red (R) 100 ±50 gf Black (K) 350 g Salone (S)
Stop Strength	: Place the switch such that a vertical, static load of 3 kgf shall be applied in the direction of the stem operation for a period of 15 seconds
Stroke	: (12 × 12) 0.35 ±0.1 mm (6 × 6) 0.25 +0.2 / -0.1 mm
Operating Temperature	: -25°C to +70°C
Storage Temperature	: -30°C to +80°C
Vibration Test	: MIL-STD-202F method 201 A Frequency : 10 - 55 - 10 Hz / 1 minute Directions : X, Y, Z three mutually perpendicular directions Time : 2 hours each direction High reliability
Shock Test	: MIL-STD-202F method 213 B Condition A Gravity : 50 G (peak value), 11 msec Direction and Times : 6 sides and 3 times in each direction High reliability

Electrical

Electrical Life	: 260 gf has 50,000 cycles 100 gf, 160 gf has 500,000 cycles
-----------------	---

Tactile Switches



SPNO

Specifications :

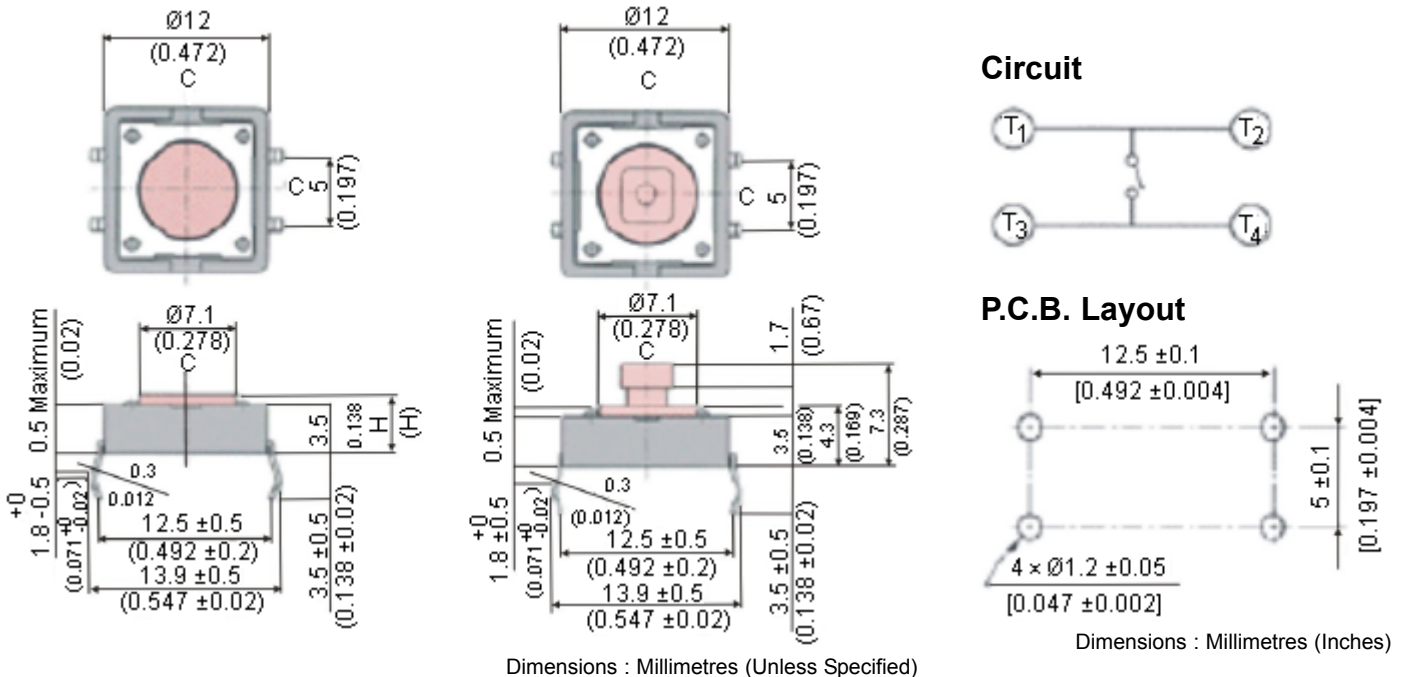
Electrical

Current Rating	: 50 mA, 12 V dc
Maximum Contact Resistance	: 100 mΩ
Insulation Resistance	: 10 MΩ 500 V dc
Dielectric Strength	: 250 V ac / 1 minute
Maximum Wave Solder	: 260°C 5 s 1.6 mm PCB
Hand Solder	: 320°C 2 s 30 W iron
PCB Hole Diameter	: 1 ±0.05 mm

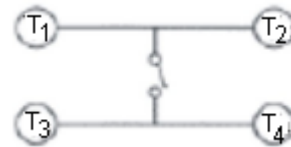
Soldering Process

- Wave Soldering : Recommended solder temperature at 500°F (260°C) maximum 5 seconds subject to PCB thickness of 1.6 mm
- Hand Soldering : Use a soldering iron of 30 watts, controlled at 608°F (320°C) approximately for 2 seconds while applying solder

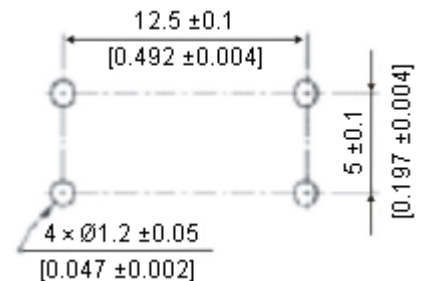
MCDTS-2



Circuit



P.C.B. Layout



Dimensions : Millimetres (Unless Specified)

Dimensions : Millimetres (Inches)

Specification Table (12 mm × 12 mm)

Actuator Style / Operating Force (gf)	PCB Drilling	Part Number
7.3 (SQ) × 3.8 / 160	12.5 × 5	MCDTS2-4N

Dimensions : Millimetres (Unless Specified)

Important Notice : This data sheet and its contents (the "Information") belong to the members of the Premier Farnell group of companies (the "Group") or are licensed to it. No licence is granted for the use of it other than for information purposes in connection with the products to which it relates. No licence of any intellectual property rights is granted. The Information is subject to change without notice and replaces all data sheets previously supplied. The Information supplied is believed to be accurate but the Group assumes no responsibility for its accuracy or completeness, any error in or omission from it or for any use made of it. Users of this data sheet should check for themselves the Information and the suitability of the products for their purpose and not make any assumptions based on information included or omitted. Liability for loss or damage resulting from any reliance on the Information or use of it (including liability resulting from negligence or where the Group was aware of the possibility of such loss or damage arising) is excluded. This will not operate to limit or restrict the Group's liability for death or personal injury resulting from its negligence. Multicomp is the registered trademark of the Group. © Premier Farnell plc 2012.