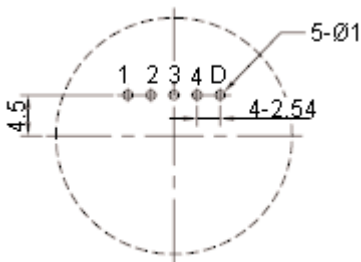
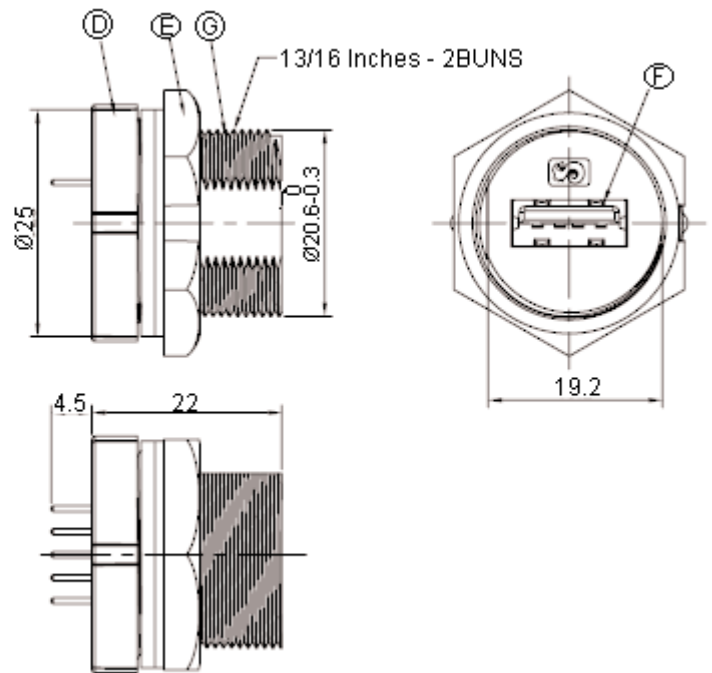
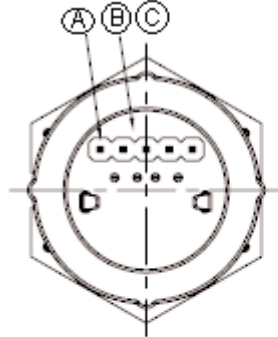


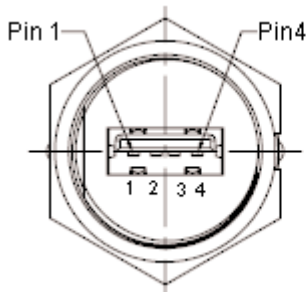
Waterproof USB 2.0 Jack



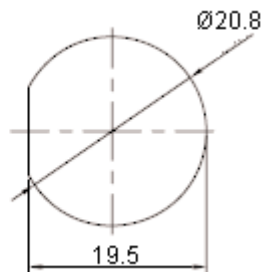
5 Pin Wafer PCB Layout



Dimensions : Millimetres



Pin Assignments
Front View



Recommended
Panel Cut-Out

Dimensions : Millimetres

Waterproof USB 2.0 Jack



Specifications:

Waterproof Rate : IP67
IP67 : Immersed in 1 m water for 30 minutes

Electrical Characteristics :

Rating : 30 V 1 A
Maximum Contact Resistance : 30 mΩ (Initial)
Dielectric Withstanding Voltage : 500 V ac for one minute
Minimum Insulation Resistance : 100 MΩ Measured by 500 V dc
Other general specifications to refer 2UB1518 series specifications
Maximum Insertion Force : 3.5 Kgf
Minimum Withdraw Force : 0.5 Kgf
To conform to singatron hazardous substance free specifications
For panel thickness maximum of 4 mm

Specification Table

Description	Material	Plating and Colour
Wafer	5 Pin 2.54 Pitch	Black
PCB	FR-4	Green
O-Ring	EPDM	Black
Sealing Nut	PPE	
Screw Nut		
USB A Jack	P / N:2UB1518-000111	N / A
Housing	PPE	Black

Part Number Table

Description	Part Number
USB Type A, Receptacle, IP67	2UB3001-W05100

Important Notice : This data sheet and its contents (the "Information") belong to the members of the Premier Farnell group of companies (the "Group") or are licensed to it. No licence is granted for the use of it other than for information purposes in connection with the products to which it relates. No licence of any intellectual property rights is granted. The Information is subject to change without notice and replaces all data sheets previously supplied. The Information supplied is believed to be accurate but the Group assumes no responsibility for its accuracy or completeness, any error in or omission from it or for any use made of it. Users of this data sheet should check for themselves the Information and the suitability of the products for their purpose and not make any assumptions based on information included or omitted. Liability for loss or damage resulting from any reliance on the Information or use of it (including liability resulting from negligence or where the Group was aware of the possibility of such loss or damage arising) is excluded. This will not operate to limit or restrict the Group's liability for death or personal injury resulting from its negligence. Multicomp is the registered trademark of the Group. © Premier Farnell plc 2012.