

Suppression Chokes



SU10V Series



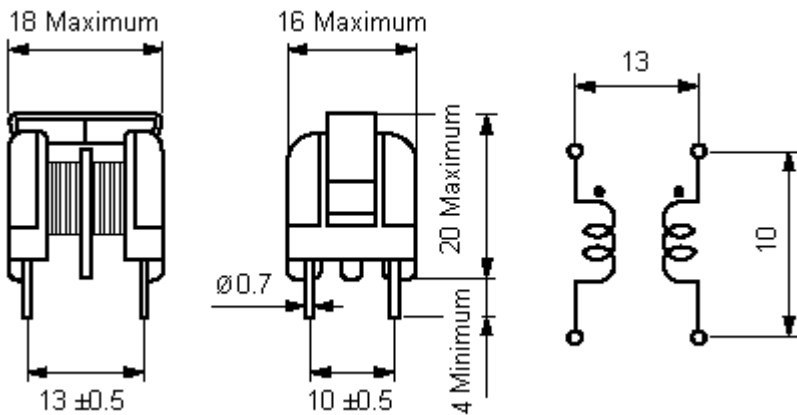
Features:

- Common mode - low current
- A range of compact high inductance common mode chokes to provide excellent attenuation of RFI
- Suitable for filtering of power supply rails and use in audio / communication equipment

Specifications:

Voltage Rating	: 250 V ac / dc
Frequency Range	: 0.1 to 10 MHz
Insulation Resistance	: >100 M Ω at 500 V dc (between lines)
Operating Temperature	: -25°C to +65°C
Inductance Measured at	: 10 KHz, 1 mA, KC530
Withstanding Voltage	: 2,400 V ac (2 seconds between lines)
Thermal Class	: E (120°C)

Shape and Dimensions



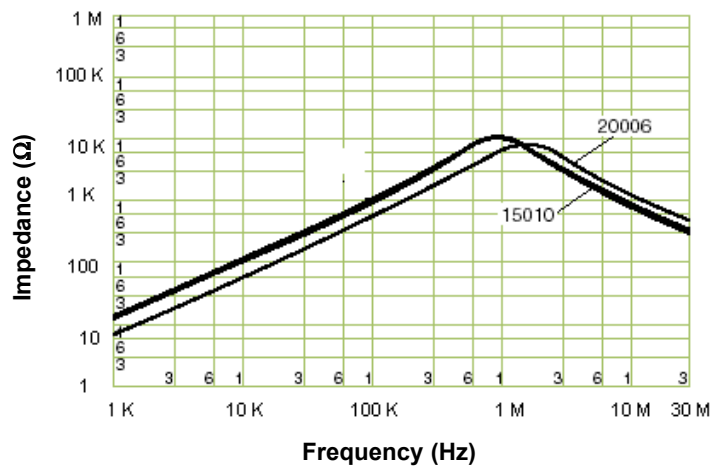
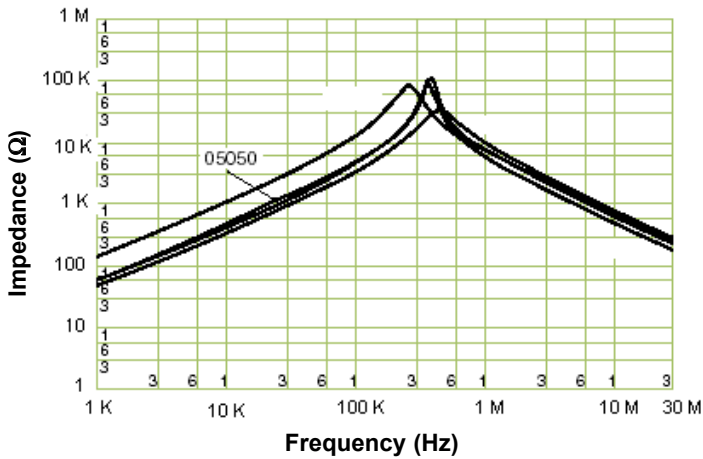
Dimensions : Millimetres

Suppression Chokes

SU10V Series



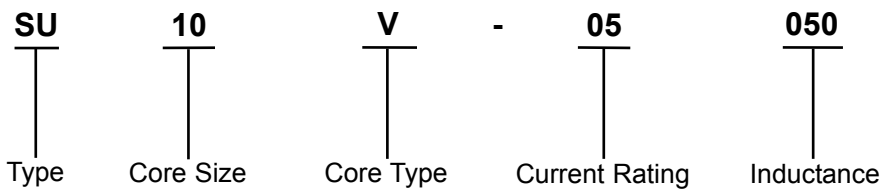
Frequency Characteristic



Specification Table

Current Rating (A)	Minimum Inductance (mH)	DC Resistance (Ω / Line)	Maximum Temperature Risk (k)	Part Number
0.5	5	1.5	40	SU10V-05050
1.5	1	0.2		SU10V-15010
2	0.6	0.15		SU10V-20006

Part Number Explanation:



- Core Type** : V = Vertical type
- Current Rating** : 05 = 0.5 A, 15 = 1.5 A and 20 = 2 A
- Inductance** : 050 = 5 mH, 010 = 1 mH and 006 = 0.6 mH

Important Notice : This data sheet and its contents (the "Information") belong to the members of the Premier Farnell group of companies (the "Group") or are licensed to it. No licence is granted for the use of it other than for information purposes in connection with the products to which it relates. No licence of any intellectual property rights is granted. The Information is subject to change without notice and replaces all data sheets previously supplied. The Information supplied is believed to be accurate but the Group assumes no responsibility for its accuracy or completeness, any error in or omission from it or for any use made of it. Users of this data sheet should check for themselves the Information and the suitability of the products for their purpose and not make any assumptions based on information included or omitted. Liability for loss or damage resulting from any reliance on the Information or use of it (including liability resulting from negligence or where the Group was aware of the possibility of such loss or damage arising) is excluded. This will not operate to limit or restrict the Group's liability for death or personal injury resulting from its negligence. Multicomp is the registered trademark of the Group. © Premier Farnell plc 2012.

