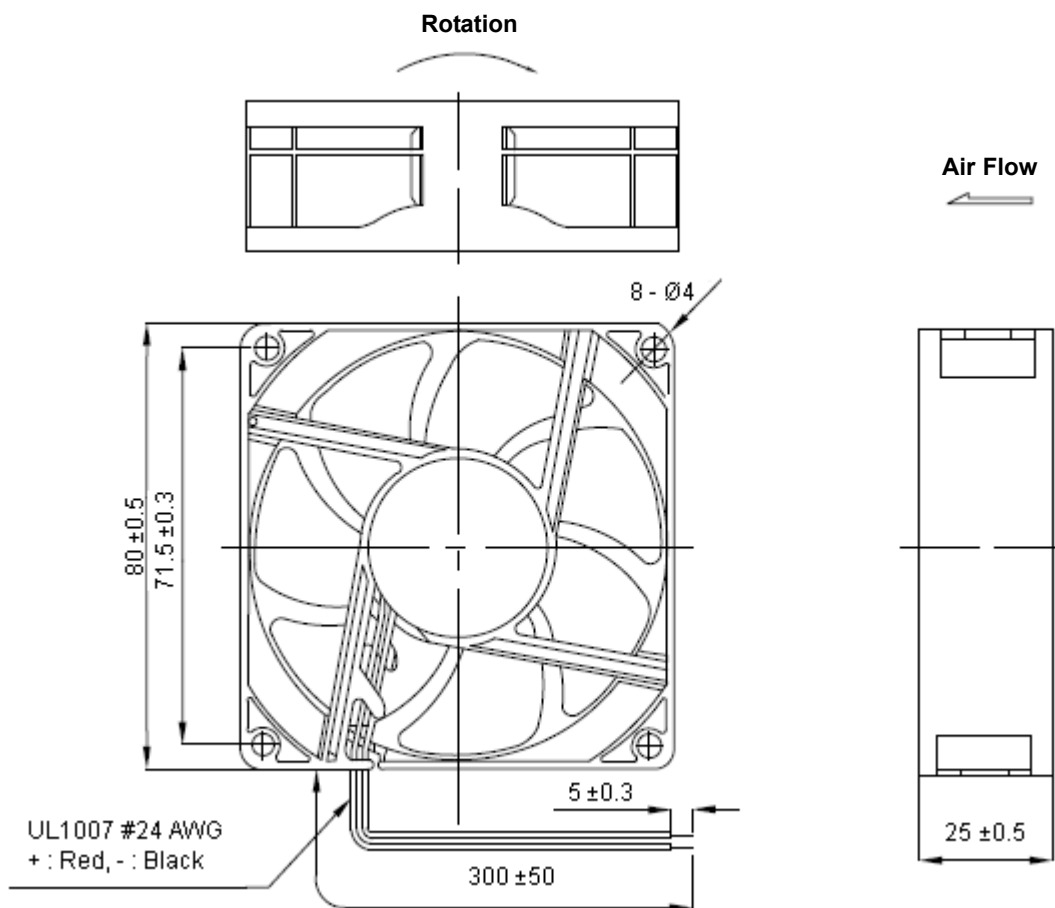


DC Brushless Fan



1. One directional exhaust
2. Best mounting direction : Fan blade face up or shaft horizontal direction

Material:

Frame : Thermoplastic PBT of UL 94V-0
Impeller : Thermoplastic PBT of UL 94V-0

DC Brushless Fan



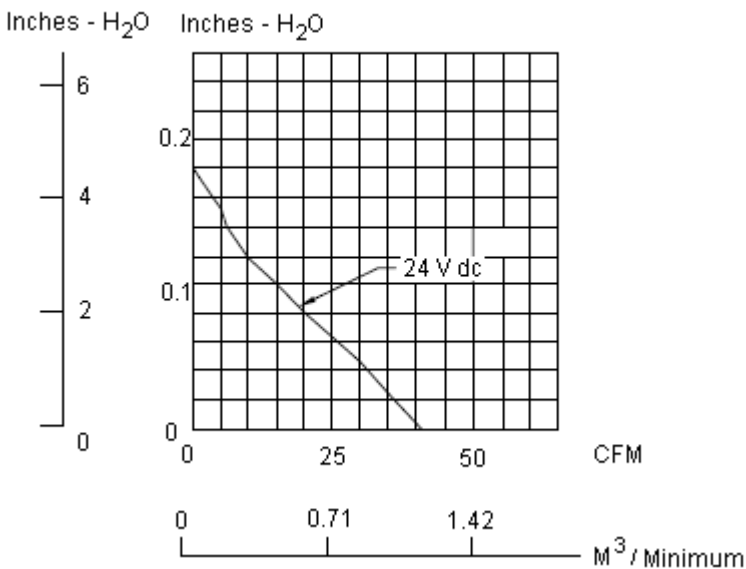
Specifications:

Rated Voltage	: 24 V dc
Operating Voltage Range	: 10 to 27.6 V dc
Starting Voltage	: 10 V dc (25°C power on / off)
Rated Speed	: 3,200 RPM \pm 10% at rated voltage
Acoustic Noise	: 33 dB (A)
Static Pressure	: 0.18 inch-H ₂ O
Rated Current	: 73 mA
Rated Power	: 1.8 W
Weight	: 75 g
Direction of Rotation	: Counter-clockwise viewed from of fan blade
Operating Temperature	: -10 to +70°C
Storage Temperature	: -40 to +70°C
Bearing System	: VAP bearing system
Air Flow	: 41 CFM
Safety	: UL / CUR approvals
Locked Rotor Protection	: Automatic restart capability

Note : In a situation where the fan is locked by an external force while the electricity is on, an increase in coil temperature will be prevented by temporarily turning off the electrical power to the motor. The fan will automatically restart when the locked rotor is condition released

Performance Curves

Static Pressure



Part Number Table

Description	Part Number
Fan, 80 × 80 × 25 mm, 24 V dc	MC35354

Important Notice : This data sheet and its contents (the "Information") belong to the members of the Premier Farnell group of companies (the "Group") or are licensed to it. No licence is granted for the use of it other than for information purposes in connection with the products to which it relates. No licence of any intellectual property rights is granted. The Information is subject to change without notice and replaces all data sheets previously supplied. The Information supplied is believed to be accurate but the Group assumes no responsibility for its accuracy or completeness, any error in or omission from it or for any use made of it. Users of this data sheet should check for themselves the Information and the suitability of the products for their purpose and not make any assumptions based on information included or omitted. Liability for loss or damage resulting from any reliance on the Information or use of it (including liability resulting from negligence or where the Group was aware of the possibility of such loss or damage arising) is excluded. This will not operate to limit or restrict the Group's liability for death or personal injury resulting from its negligence. Multicomp is the registered trademark of the Group. © Premier Farnell plc 2012.