

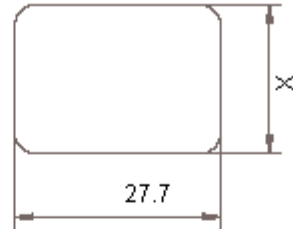
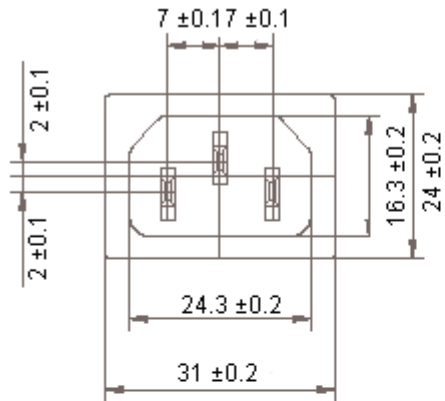


PART NO.

JR-101S-G

REVISIONS

ECN #	REV	DESCRIPTION	DRAWN	DATE	CHECKD	DATE	APPRVD	DATE
-	A	RELEASED	chethu	23/6/12	SID	23/6/12		08/7/12

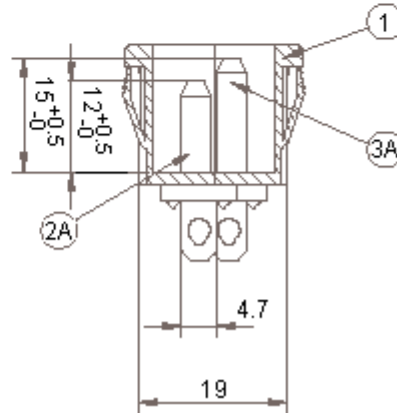
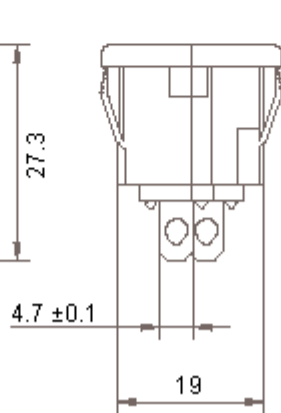
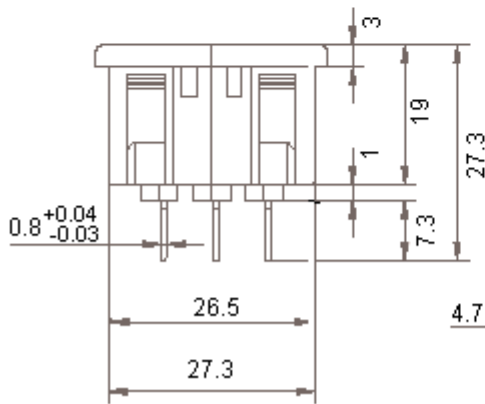


Thickness:

- 0.8 - 1.2 t (X = 20.3)
- 1.3 - 2 t (X = 20.5)
- 2.1 - 3 t (X = 20.7)

Specifications:

- Current Rating : 10 A 250 V ac
- Withstand Voltage : 2,000 V ac at 1 Minute
- Insulation Resistance : More than 100 MΩ (at 500 V dc)
- Operating Temperature : -25°C to +85°C maximum



Dimensions : Millimetres

Important Notice : This data sheet and its contents (the "Information") belong to the members of the Premier Farnell group of companies (the "Group") or are licensed to it. No licence is granted for the use of it other than for information purposes in connection with the products to which it relates. No licence of any intellectual property rights is granted. The Information is subject to change without notice and replaces all data sheets previously supplied. The Information supplied is believed to be accurate but the Group assumes no responsibility for its accuracy or completeness, any error in or omission from it or for any use made of it. Users of this data sheet should check for themselves the information and the suitability of the products for their purpose and not make any assumptions based on information included or omitted. Liability for loss or damage resulting from any reliance on the Information or use of it (including liability resulting from negligence or where the Group was aware of the possibility of such loss or damage arising) is excluded. This will not operate to limit or restrict the Group's liability for death or personal injury resulting from its negligence. Multicomp is the registered trademark of the Group. © Premier Farnell plc 2012.

TOLERANCES:

UNLESS OTHERWISE SPECIFIED, DIMENSIONS ARE FOR REFERENCE PURPOSES ONLY.

DRAWN BY:	DATE:
CHE	23/06/12
CHECKED BY:	DATE:
SID	23/06/12
APPROVED BY:	DATE:
	08/07/12

DRAWING TITLE:

Inlet, IEC Snap Fit

SIZE	DWG NO.	ELECTRONIC FILE	REV
A	M1000000111	46057_DWG	A
SCALE: NTS	U.O.M.: mm	SHEET: 1 OF 2	

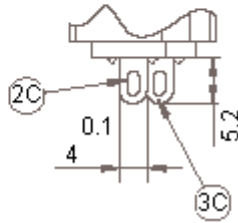
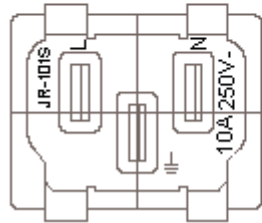
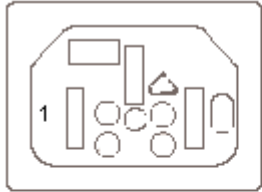


PART NO.

JR-101S-G

REVISIONS

ECN #	REV	DESCRIPTION	DRAWN	DATE	CHECKD	DATE	APPRVD	DATE
-	A	RELEASED	chethu	23/6/12	SID	23/6/12		08/7/12



Dimensions : Millimetres

1	Body	1	Nylon #66	-
2A	Contact	2	Bsp1-1/2 H	Sn-Plated
2C				
3A	Grounding Contact	1		
3B				

Specification Table

Panel Thickness		Panel Cut-Out	Height Above Panel	Solder Tags	Description	Part Number
Minimum	Maximum					
0.8*	3	20 × 27.7	3	7.3 × 4.7 × 0.8	Snap In	JR-101S-G

*Panel Mount IEC Inlet

Dimensions : Millimetres

www.element14.com
www.farnell.com
www.newark.com

Important Notice : This data sheet and its contents (the "Information") belong to the members of the Premier Farnell group of companies (the "Group") or are licensed to it. No licence is granted for the use of it other than for information purposes in connection with the products to which it relates. No licence of any intellectual property rights is granted. The Information is subject to change without notice and replaces all data sheets previously supplied. The Information supplied is believed to be accurate but the Group assumes no responsibility for its accuracy or completeness, any error in or omission from it or for any use made of it. Users of this data sheet should check for themselves the Information and the suitability of the products for their purpose and not make any assumptions based on information included or omitted. Liability for loss or damage resulting from any reliance on the Information or use of it (including liability resulting from negligence or where the Group was aware of the possibility of such loss or damage arising) is excluded. This will not operate to limit or restrict the Group's liability for death or personal injury resulting from its negligence. Multicomp is the registered trademark of the Group. © Premier Farnell plc 2012.

TOLERANCES:

UNLESS OTHERWISE SPECIFIED, DIMENSIONS ARE FOR REFERENCE PURPOSES ONLY.

DRAWN BY:	DATE:
CHE	23/06/12
CHECKED BY:	DATE:
SID	23/06/12
APPROVED BY:	DATE:
	08/07/12

DRAWING TITLE:

Inlet, IEC Snap Fit

SIZE A	DWG NO. M1000000111	ELECTRONIC FILE 46057_DWG	REV A
SCALE: NTS		U.O.M.: mm	SHEET: 2 OF 2