

Features

- Low Cost Switching Regulator
- Efficiency up to 92 %
- Short Circuit Protection
- Pin Compatible with 78 Series Regulators
- 5V / 500 mA Output

INNOLINE
DC/DC-Converter



0.5 AMP Single Output

Selection Guide

Part Number	Input Range (V)	Output Voltage (V)	Output Current (mA)	Efficiency (%)
R-78E5.0-0.5	7 - 28	5	500	82 - 92
R-78E3.3-0.5	6 - 28	3.3	500	75 - 88

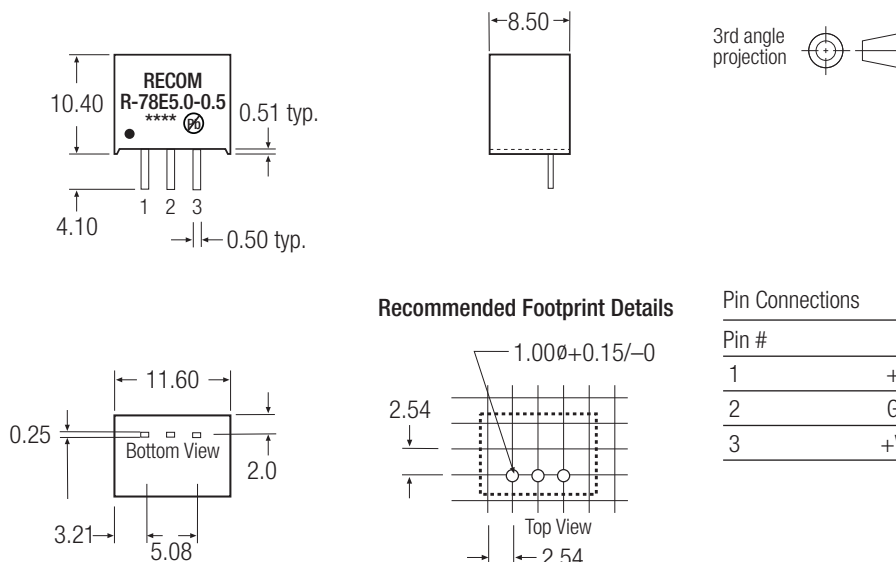
Specifications (valid at nominal input voltage 24V full load after warm-up time unless otherwise states)

Input Voltage Range	5V Version	7 - 28 VDC
	3.3V Version	6 - 28 VDC
Output Voltage		5.0 VDC 3.3VDC
Output Current Range		5 - 500 mA
Output Voltage Accuracy		± 3% max.
Efficiency		see Table
Switching Frequency Vin = 24V		570 KHz typ.
Output Ripple & Noise @ 20MHz	at Vin = 24 VDC, Io = Full Load	50mVp-p max.
Line Voltage Regulation		± 0.5 % max.
Load Voltage Regulation	10% to 100% Full Load	± 0.8 % max.
Short Circuit Protection		Automatic Restart
Operating Ambient Temperature Range (see Derating Graph)		-40°C - +85°C
Storage Temperature Range		- 55°C - +125°C
Packing Quantity		42 pcs per tube
Thermal Shutdown		+165°C
Output Current Limit	all Series	2300mA min. / 3500mA typ. (when Vin = 12V)



R-78E

Package Style and Pinning (mm)



Derating-Graph (Ambient Temperature)

