



Description

The Redington Model 732 provides a DC Hour Meter with an operating range of 10-80VDC. Models are protected for 2 times battery voltage and/or reverse polarity. Models are available in the standard industry housings, 3-Hole Round, Flush-Rectangular, Flush-Round and 2-Hole Rectangular. A Stirrup and Cup mount are available for applications where high shock and vibration exist. Its quartz time base insures accurate long-term time keeping. The Totally Sealed case protects against the environment and provides years of reliable service. Most models are NEMA 4X, 12 rated when mounted with optional gasket.

Features

- Operating voltage 10-80VDC
- Totally Sealed
- UL/cUL Recognized, CE & RoHS Compliant
- 6 Figure, 99999.9
- Quartz accuracy
- 6 mounting variations

Options

- Wire leads
- Gasket kit (for NEMA 4X, 12 rating)
- Custom Lens
- Terminals up, down, straight



Specifications

Figures: 6 - digits, 0.14" [3.6mm] 99999.9
 Hours and running indicator - white on black
 Decimal - black on white

Reset: Non-reset

Voltage: 10-80VDC

Power: 1 watt max.

Mounting: Clip, mounting holes, Cup, or Stirrup

Termination: ¼" [6.3mm] spade terminals

Weight: ~2.0 oz [57 g]

Accuracy: ± 0.02% over entire range

Bezel: Stirrup and Cup mount have metallic bezels

Case Material: Black polymer

Lens Material: Cup & Stirrup - glass
 All other models - polymer

Transient Protection: ± 6 times normal for 300msec

Agency Approvals: UL/cUL Recognized, CE, SAE, & RoHS Compliant. All models are NEMA 4X, 12 Compliant except the Cup and Stirrup mount

Overvoltage & Reverse Polarity: Protected for 2 times battery voltage and/or reverse polarity

Environmental: Totally Sealed

Front Panel: NEMA 4X, 12 rated with optional gasket

Temperature: -40°F to +185°F [-40°C to + 85°C]

Humidity: 95% (SAE J1378)

Shock: 55g @ 9 - 13msec (SAE J1378)

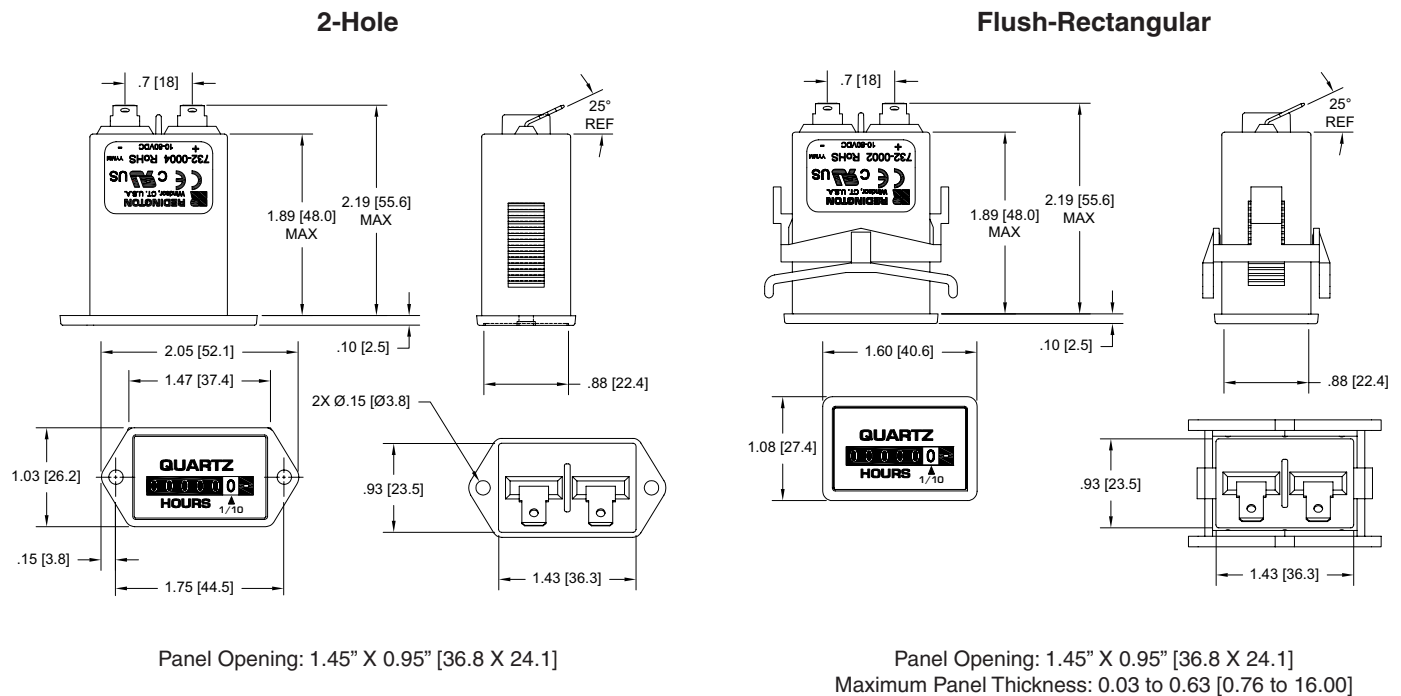
Vibration: 10-80Hz. 20g max. (SAE J1378)

Models Description

732-0001	3-Hole Round, 10-80VDC, ¼" [6.3mm] spade terminals, hours & 1/10's
732-0002	Flush-Rectangular, 10-80VDC, ¼" [6.3mm] spade terminals, hours & 1/10's
732-0003	Flush-Round, 10-80VDC, ¼" [6.3mm] spade terminals, hours & 1/10's
732-0004	2-Hole Rectangular, 10-80VDC, ¼" [6.3mm] spade terminals, hours & 1/10's
732-0013	Panel mt, Round, Cup, stainless steel bezel, 10-80VDC, ¼" [6.3mm] spade terminals, hours & 1/10's
732-0023	Panel mt, Round, Stirrup, stainless steel bezel, 10-80VDC, ¼" [6.3mm] spade terminals, hours & 1/10's
5003-008	NEMA 4X, 12 Gasket for Models 732-0013 & 732-0023
5003-009	NEMA 4X, 12 Gasket for Model 732-0002
5003-010	NEMA 4X, 12 Gasket for Model 732-0004
5003-011	NEMA 4X, 12 Gasket for Model 732-0001
5003-012	NEMA 4X, 12 Gasket for Model 732-0003

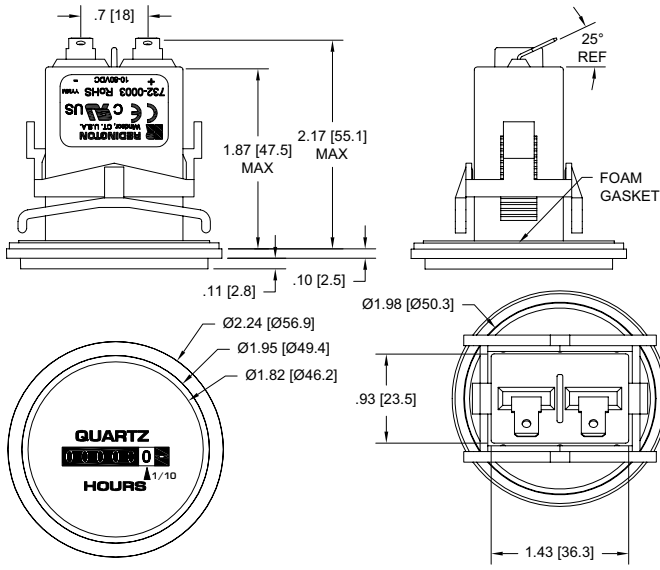
* All items are normally in factory stock.

Dimensions



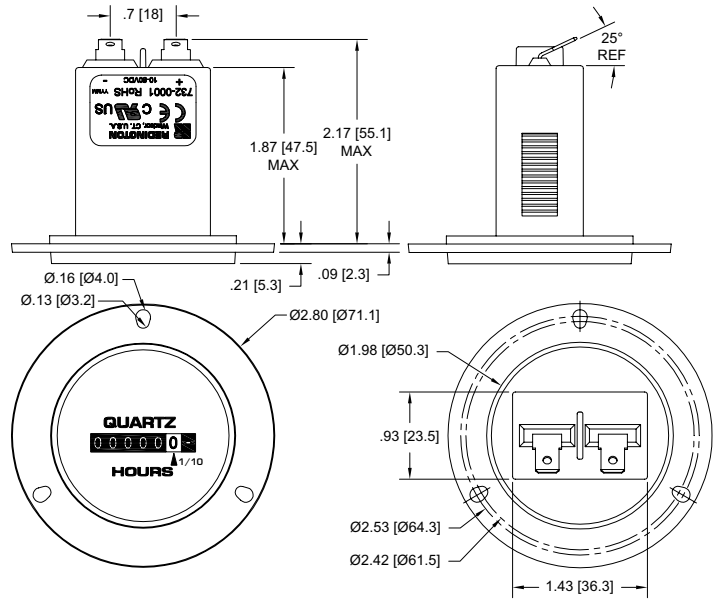


Flush-Round



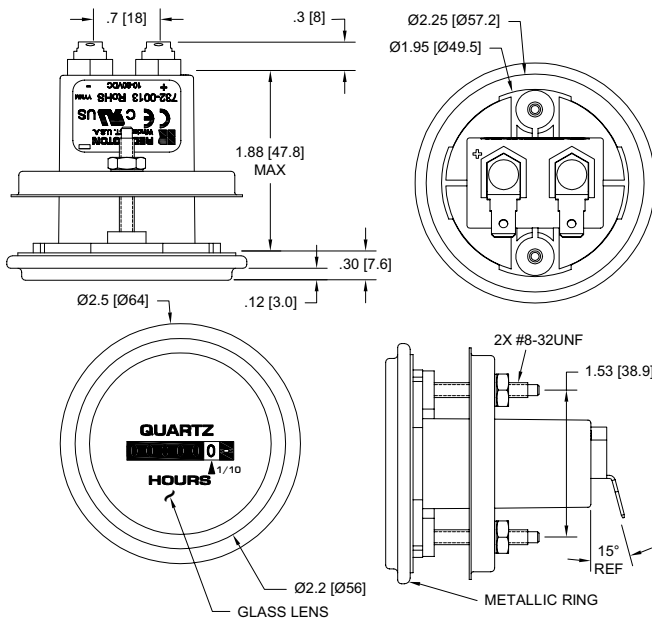
Panel Opening: 2.0" [50.6]
Maximum Panel Thickness: 0.40 [10.2]

3-Hole Round



Panel Opening: 2.0" [50.6]

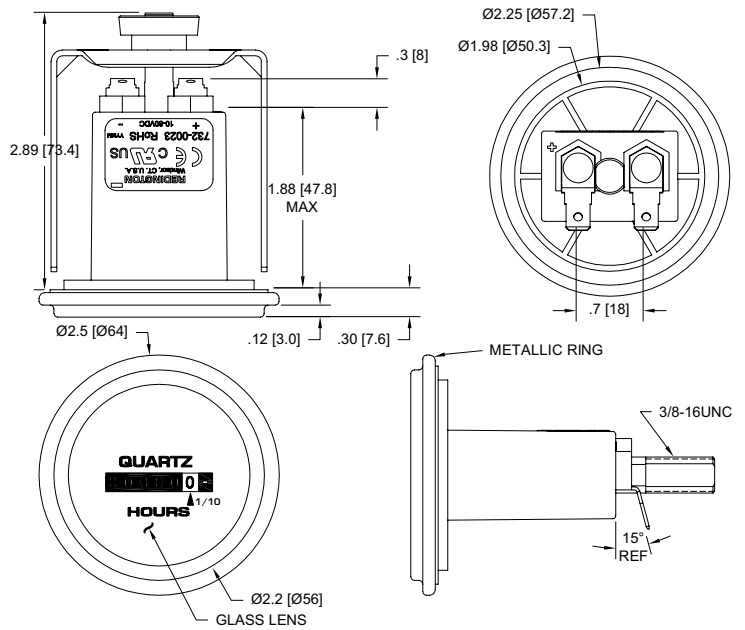
Cup



NOTE: SUPPLIED WITH MOUNTING HARDWARE

Panel Opening: 2.0" [50.6]

Stirrup



NOTE: SUPPLIED WITH MOUNTING HARDWARE

Panel Opening: 2.0" [50.6]

Applications

Material Handling



Farm Equipment



Outdoor Power Equipment



Construction Equipment



Utility Vehicles

