



Description

The model 710 AC hour meters and minute meters are widely used in panel applications where number size and visibility are critical. Its tough, Lexan bezel and distinctive styling enhance appearance and durability. Available in 5 figure reset or 6 figure non-reset versions.

Features

- Large figures
- Tough, Lexan case
- Reset or non-reset

Options

- Private label faceplates
- Bracket mount
- Mounting bracket (721-0003)
- Splash proof kit (721-0017)
- Heavy duty splash proof kit (721-0018)
- Gasket (17210-004s)

Specifications

Figures: 5 figures, 9999.9 (reset) or 6 figure, 99999.9 (non-reset), 0.19" [5mm] high
Reset: Reset (on front or side) or non-reset
Voltages: 24, 115 or 230VAC, (+/-10%), 50 or 60 Hz.
Power: 3 watts (nominal)
Mounting: Panel (3-hole)

Terminations: 8" [203.2mm] wire leads or terminal block
Temp. Range: -20°F to +160°F [-29°C to +71°C]
Approvals: UL Recognized, CE Compliant, ROHS
Weight: 6 oz. [170g]

Models Description

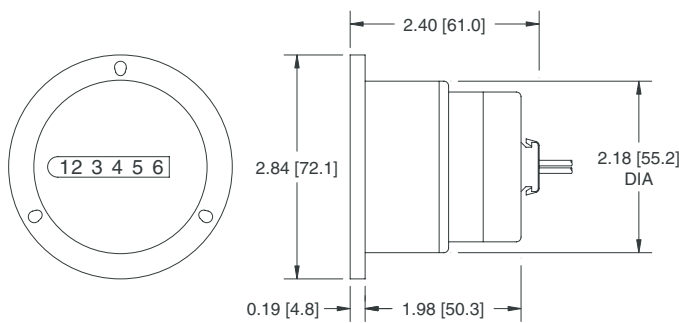
710-0001	115VAC/60HZ, non-reset, 99,999.9 hrs, 8" [203mm] wire leads
710-0002	115VAC/60HZ, non-reset, 99,999.9 hrs, terminal block
710-0003	230VAC/60HZ, non-reset, 99,999.9 hrs, 8" [203mm] wire leads
710-0006	24VAC/60HZ, non-reset, 99,999.9 hrs, 8" [203mm] wire leads
710-0013	115VAC/60HZ, front-reset, 9,999.9 hrs 8" [203mm] wire leads
710-0018	115VAC/60HZ, non-reset, 99,999.9 min, 8" [203mm] wire leads
710-0024	24VAC/60HZ, non-reset, 99,999.9 hrs, terminal block
710-0032	115VAC/60HZ, front-reset, 9,999.9 hrs, terminal block

Models Description

* Items in bold are normally in factory stock.

Dimensions

8" [203mm] Wire Leads



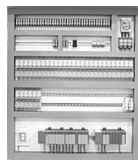
Mounting holes: For #4 screws on 2.44" [62.0] B.C.
 and #6 screws on 2.53" [64.3] B.C.
 Panel cutout: 2.21" [56.1] Dia.

Applications

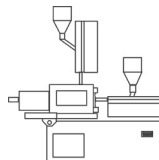
Office equipment



Control panels



Industrial equipment



Test equipment



Compressors

