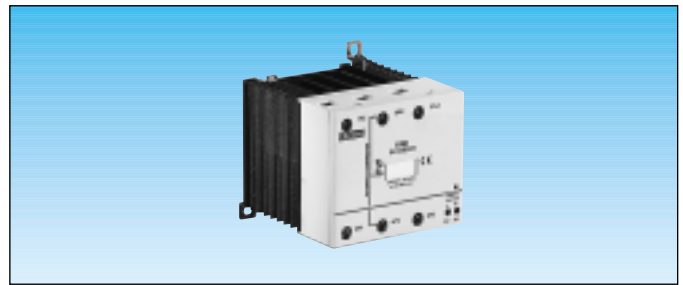


Solid state relays with integrated heatsink, DIN rail mounting - GRD range 90 mm

- Two-phase
- Complete, compact units
- Tailor-made solution to current sinks
- DIN rail and panel mounting
- Rating: 2 x 25 A
- Back-to-back SCRs
- Protection by RC filter
- Optional protection by removable varistor
- LED display of input status
- UL - cUL approval and CE marking



Output specifications	SCR
Voltage range (Vrms max)	48-660
Peak voltage (t=1 min.) (Vpeak)	1200
Maximum current (A)	3 x 25
Maximum off-state leakage (mA) at Vmax and T = 25 °C	20 per phase
Minimum current (mArms)	100 per phase
Max. 1-cycle surge T=25°C (A peak)	500
Max. 1-second surge T=25°C (A peak)	135
On-state voltage drop at Imax and T=25°C (Vpeak)	1.6
I2t (t=10ms) A2s	1260
Static (off-state) dv/dt (V/us)	500
Supply frequency range (Hz)	47 to 80
cos φ (Zero voltage)	> 0.5
Rth junction/ambient air	1° C/W

Input specifications	90-280 ~	4-32 ≡
Input voltage (V)	90-280 ~	4-32 ≡
Drop-out voltage	10 Vrms	1V ≡
Maximum current (at Vmax)	10 mArms	10 mA
Nominal input resistance (kΩ)	45	3
Response time (close)	20 ms	0.5 cycle max.
Response time (open)	30 ms	0.5 cycle max.

For instantaneous switching models, turn-on time is less than 100 μs

Characteristics	Casing	Baseplate
Operating temperature (°C)	-20 to +80	
Storage temperature (°C)	-40 to +100	
Input to output insulation voltage (Vrms)	4000	
Breakdown voltage (Vrms)	2500	
Input/output capacitance (pF)	8	
Material	Self-extinguishing (UL 94 V0)	Aluminium
Weight (g)	940	

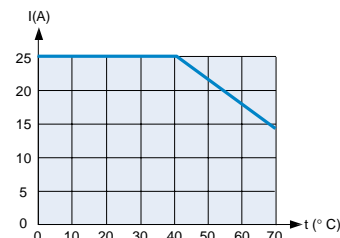
Part numbers

Zero voltage switching			
Rating	Output voltage	Input voltage	SCR
2 x 35 A	48-660 V ~	90-280 V ~	84 130 222
		4-32 V ≡	84 130 220

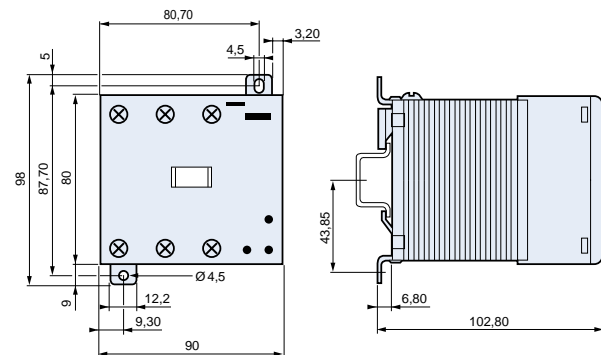
Instantaneous switching			
Rating	Output voltage	Input voltage	SCR
2 x 35 A	48-660 V ~	4-32 V ≡	84 130 221

Curves for temperature-dependent derating

GRD range 90 mm - 2 x 25 A



Dimensions



To order, specify:

Standard products

1 Part number

Example: Solid state relay - GRD range - 84 130 222