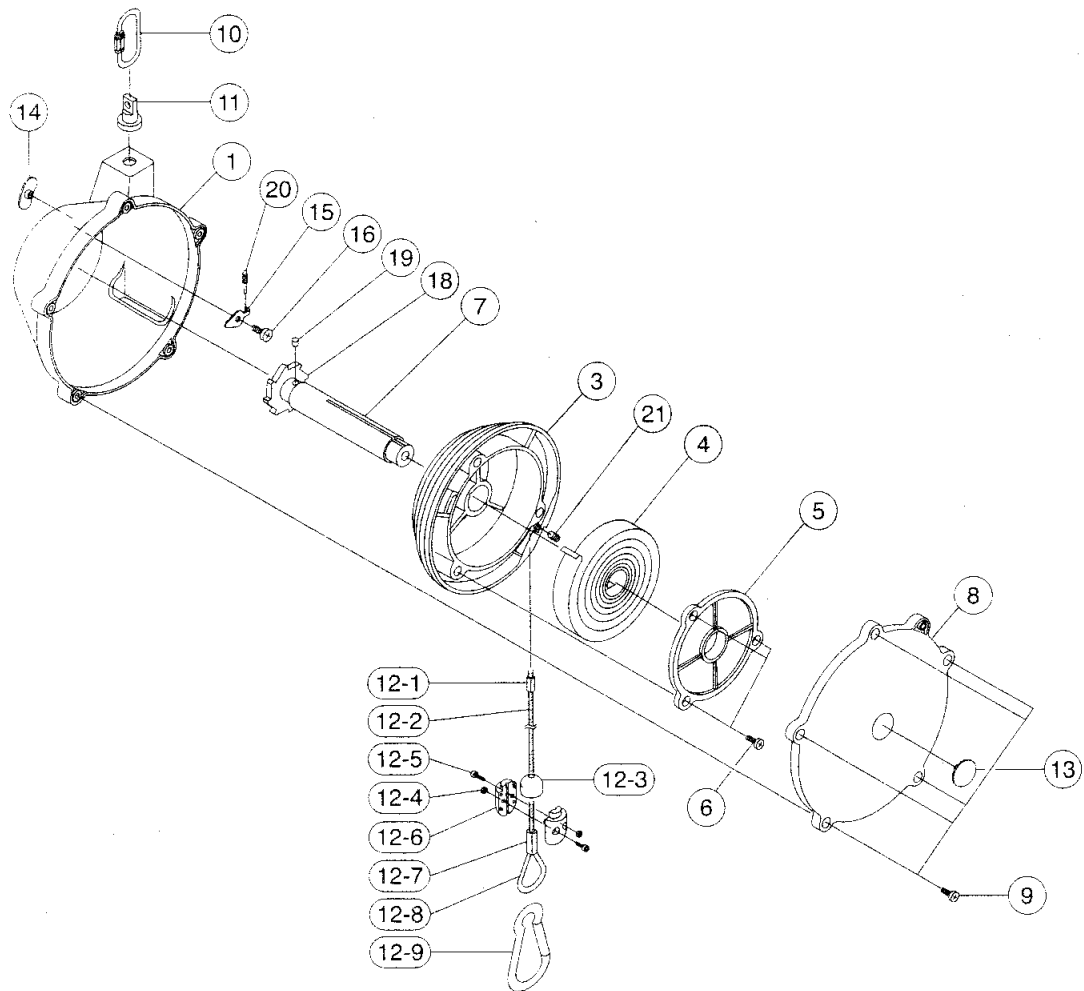


ASB-3C & 5C SPRING BALANCER

EXPLODED VIEW



PARTS LIST — FOR REFERENCE ONLY

Index Number	Description	Part Number		Qty.
		ASB-3C	ASB-5C	
1	CASE	203001-C	203001-C	1
2	DRUM BUSH	203002	203002	1
3	DRUM	203003-C	203003-C	1
4	SPIRAL SPRING	203004-C	205004-C	1
5	DRUM COVER	203005-C	203005-C	1
6	INTERNAL SCREW	SW415	SW415	3
7	SPINDLE	203006	203006	1
8	COVER	203007-C	203007-C	1
9	EXTERNAL SCREW (4*15)	SW415	SW415	5
10	MAIN HANGER	203008	203008	1
11	UPPER SWIVEL	203009	203009	1
12	CABLE SET	203010	203010	1
12-1	LOCK	-	-	1
12-2	CABLE	-	-	1
12-3	SHOCK ABSORBER	-	-	1
12-4	NUT	-	-	1
12-5	BOLT	-	-	1
12-6	CABLE STOP	-	-	1

Index Number	Description	Part Number		Qty.
		ASB-3C	ASB-5C	
12-7	LOCK	-	-	1
12-8	THIMBLE	-	-	1
12-9	TOOL CLIP	-	-	1
13	SPINDLE CAP	203011	203011	1
14	RATCHET CAP	203012-C	203012-C	1
15	RATCHET	203014	203014	1
16	SCREW(M6*10)	203015	203015	1
17	CASE INSERT	203016	203016	1
18	RATCHET GEAR	203017	203017	1
19	KEY	203018	203018	1
20	RATCHET SPRING	203019	203019	1
21	CABLE BOLT	203020	203020	1

NOTES

See ASB-3C and ASB-5C Spring Balancer manual for complete operating and safety instructions before use.



AIMCO

When ordering spare parts, please specify tool type, part number and description.

10000 SE PINE, PORTLAND, OR 97216
503-254-6600 FAX 503-255-2615

AIMCO offers a complete line of Tool Support products.
Visit our website at www.aimco-global.com

REVISED 05/03