

Gearboxes – UGJ

UGJ

Dimensions (mm)	65 x 107
Max. torque (cNm)	1500
Ratios	4 1/6 ... 36.000.000
Internal slipping clutch	none
Standard shaft (mm)	∅ 12 x 20
Weight (g)	480
Motor combination	Series UB, UD, UF, UH

**RoHS
Compliant**



Standard Data

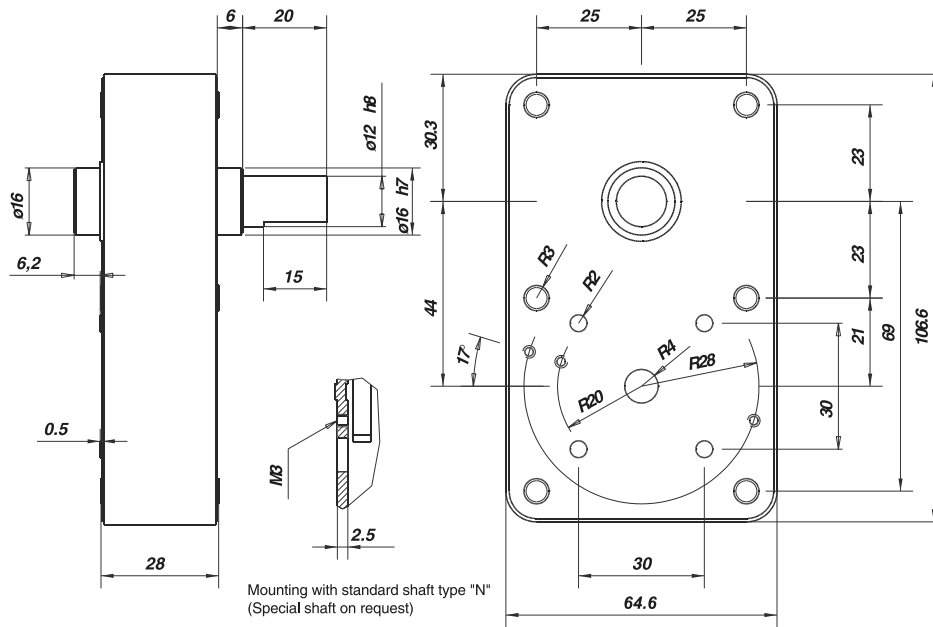
Mounting	any position												
Axial thrust F _A	400 N												
Lateral force F _R	600 N												
Lateral torque M _R	600 cNm												
Output shafts	∅ 12 x 20, other on request												
Climatic class	"wide-spread" according to IEC 721, part 2-1												
Ambient temperature operation	°C -15 ... +55												
Ambient temperature storage	°C -40 ... +80												
Ratios	4 1/6	8 1/3	16 2/3	33 1/3	41 2/3	50	66 2/3	83 1/3	100	125	150	166 2/3	200
	250	500	1000	2000	2500	3000	4000	5000	6250	8333 1/3	10000	12500	15000
	20000	25000	30000	37500	60000	75000	120000	150000	300000	375000	750000	1500000	1800000
	2250000	3000000	3600000	4500000	6000000	9000000	11250000	212000000	18000000	36000000			

Order Reference – How to Build a Part Number

Type	Gearbox	UGJ	100	N	N
Ratio	100				
Slipping clutch	N	without slipping clutch			
Shaft end	N	∅ 12 x 20, other on request			

Gearboxes – UGJ

Dimensions (mm)



Torque / ratio / life graph

