

## 31 SERIES

- RECTANGULAR INDICATOR LIGHTS FOR 1.281" X .395" MOUNTING HOLE
- 6" WIRE LEADS OR 3/16" OR 1/4" TAB TERMINALS
- NEON OR INCANDESCENT INDICATOR LIGHTS
- VARIETY OF LENS COLORS
- UL AND CSA LISTED • UL FILE E20356 • CSA FILE LR15284-5,8,12,17

### Overview

The 31 Series Rectangular indicators feature a wide variety of lens colors and voltage options. Indicator lights quickly snap fit into a 1.281" x .395" (32.54mm x 10.03mm) mounting hole. Recommended panel thickness range from .020" minimum to .090" maximum. Lenses may be customized with stamped message. Contact your customer service representative for specific ordering information.

### Specifications

**Housing:** white nylon. A black housing is available.

**Bezel:** zinc plated steel. A black anodized bezel is available.

**Lens:** polycarbonate. Lenses may be customized with stamped message.

**Incandescent AC or DC voltage options:** 6, 14 and 28 volts.

**Neon AC or DC voltage options:** 125 and 250 volts.  
**Note:** high brightness green and blue neon lamps supplied in green and blue neon applications.

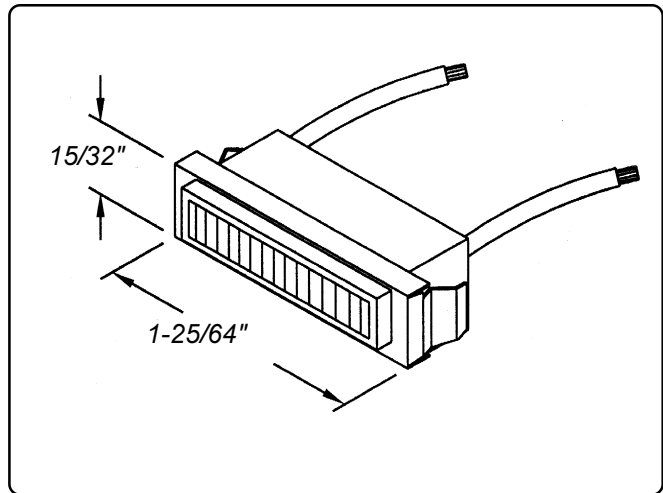
#### Wire leads:

**6" leads:** #18 AWG, black, bare copper, PVC insulated, UL/CSA rated 105° C, stripped 1/2". Custom wire lengths, stripping, termination and wire types are available.

#### Terminals:

**1/4" tabs:** brass, (1/4" length x 0.030" thick).

**3/16" tabs:** brass, (3/16" length x 0.020" thick).



### Can't find it here? We have many more standard and custom solutions.

The items in this catalog are only a small representative sample of the complete LC&D-Leecraft product line. We manufacture many additional products which are not shown in this catalog due to space constraints.

Custom products can also be designed uniquely for you by our Technical Support Professionals. Starting from your ideas and specifications, we work with your personnel to develop timely and cost effective solutions for your miniature lighting needs.

LC&D Technical Support Services are provided without charge, and may include designs, prototypes and pre-production samples.

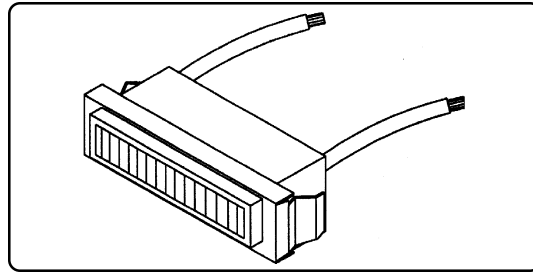
For further information phone Customer Service at 954-425-0123 or complete the "Fast FAX Technical Support Inquiry" form located in the Appendix, page A-1.



**SNAPFIT INDICATOR LIGHTS  
FOR 1.281" x .395" MOUNTING HOLE**



**31 Series  
Zinc Plated Bezel  
White Nylon Housing  
Neon or  
Incandescent**



**6" Wire Leads or  
3/16" Tab Terminals or  
1/4" Tab Terminals  
SnapFit Mounting  
Variety of Lens Colors**

Part Number 6" Wire Leads	Part Number 1/4" Tab Terminals	Part Number 3/16" Tab Terminals	Lens Color	Lamp Type	Design Volts	Design Watts or Amps	Life (hrs)
31-2111	31-2111T	31-2111T3	Red	Neon	125	1/3W	25,000
31H-2111	31H-2111T	31H-2111T3	Red	Neon	250	1/3W	25,000
31G1-2111	31G1-2111T	31G1-2111T3	Red	Incandescent	6	.20A	5,000
31G3-2111	31G3-2111T	31G3-2111T3	Red	Incandescent	14	.10A	10,000
31G18-2111	31G18-2111T	31G18-2111T3	Red	Incandescent	28	.04A	7,000
31-2112	31-2112T	31-2112T3	Green	Neon	125	1/3W	25,000
31H-2112	31H-2112T	31H-2112T3	Green	Neon	250	1/3W	25,000
31G1-2112	31G1-2112T	31G1-2112T3	Green	Incandescent	6	.20A	5,000
31G3-2112	31G3-2112T	31G3-2112T3	Green	Incandescent	14	.10A	10,000
31G18-2112	31G18-2112T	31G18-2112T3	Green	Incandescent	28	.04A	7,000
31-2113	31-2113T	31-2113T3	Amber	Neon	125	1/3W	25,000
31H-2113	31H-2113T	31H-2113T3	Amber	Neon	250	1/3W	25,000
31G1-2113	31G1-2113T	31G1-2113T3	Amber	Incandescent	6	.20A	5,000
31G3-2113	31G3-2113T	31G3-2113T3	Amber	Incandescent	14	.10A	10,000
31G18-2113	31G18-2113T	31G18-2113T3	Amber	Incandescent	28	.04A	7,000
31-2114	31-2114T	31-2114T3	Blue	Neon	125	1/3W	25,000
31H-2114	31H-2114T	31H-2114T3	Blue	Neon	250	1/3W	25,000
31G1-2114	31G1-2114T	31G1-2114T3	Blue	Incandescent	6	.20A	5,000
31G3-2114	31G3-2114T	31G3-2114T3	Blue	Incandescent	14	.10A	10,000
31G18-2114	31G18-2114T	31G18-2114T3	Blue	Incandescent	28	.04A	7,000
31-2115	31-2115T	31-2115T3	White	Neon	125	1/3W	25,000
31H-2115	31H-2115T	31H-2115T3	White	Neon	250	1/3W	25,000
31G1-2115	31G1-2115T	31G1-2115T3	White	Incandescent	6	.20A	5,000
31G3-2115	31G3-2115T	31G3-2115T3	White	Incandescent	14	.10A	10,000
31G18-2115	31G18-2115T	31G18-2115T3	White	Incandescent	28	.04A	7,000
31-2117	31-2117T	31-2117T3	Clear	Neon	125	1/3W	25,000
31H-2117	31H-2117T	31H-2117T3	Clear	Neon	250	1/3W	25,000
31G1-2117	31G1-2117T	31G1-2117T3	Clear	Incandescent	6	.20A	5,000
31G3-2117	31G3-2117T	31G3-2117T3	Clear	Incandescent	14	.10A	10,000
31G18-2117	31G18-2117T	31G18-2117T3	Clear	Incandescent	28	.04A	7,000

Lighting Components & Design, Inc.® • 692 S. Military Trail, Deerfield Bch., FL 33442 • TEL: (954)-425-0123 FAX: (954)-425-0110