

keene electronics Wired Eye

Overview

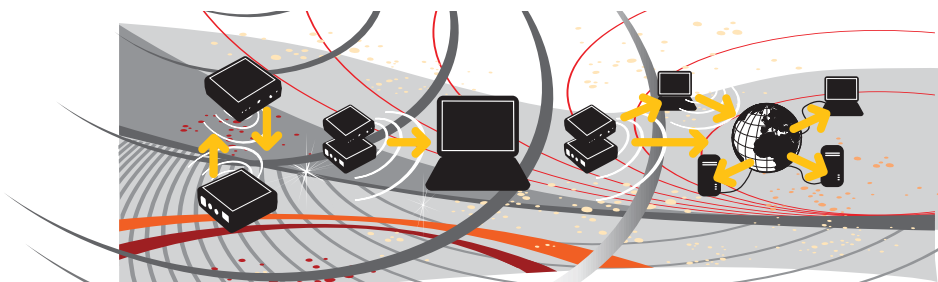
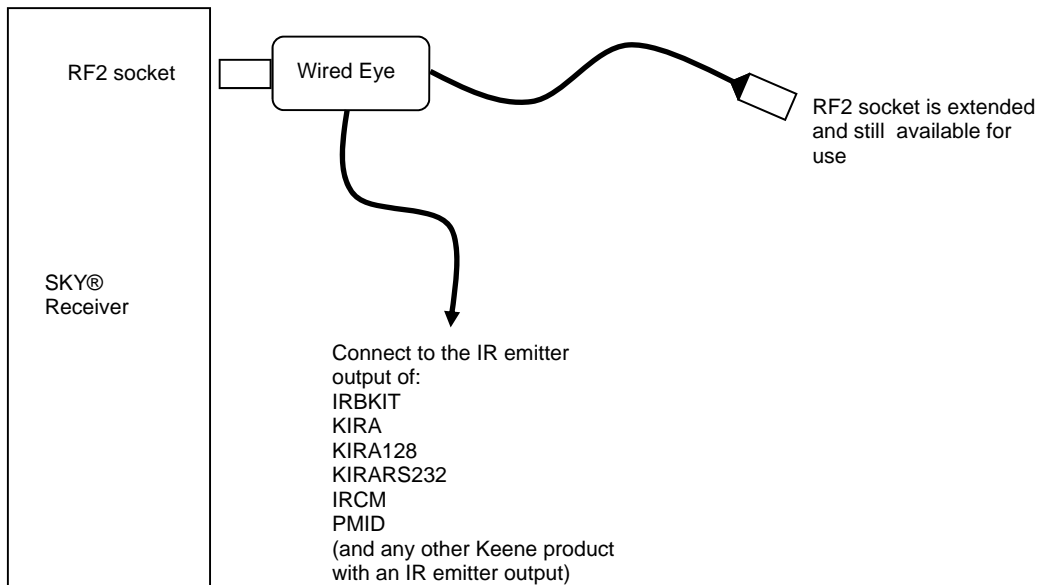
The KWE wired Eye is part of the Keene IR Distribution range. It utilises the ability of a SKY® receiver to be controlled via the RF2 coaxial socket and provides a "hardwired" in cabinet control solution.



Instead of affixing an IR emitter on or near to the SKY® receiver front panel you can now connect the IR emitter output directly to the Wired Eye. This gives reliable results and also prevents any IR bleed, perfect for a situation where multiple SKY® boxes are used in close proximity.

Instructions for enabling RF2:

To enable the RF2 on a SKY® box, on your remote press services, then 0, then press 0, 1, then press select (please note nothing will change on screen until you have pressed select). This should take you to a screen with more options and settings. Go across to RF output, and change the RF power outlet to on. You must then press green to save the settings you've changed.



Keene Electronics Ltd
 Old Hall Mill, Old Hall Mills Business Park Little Eaton Derbyshire DE21 5EJ
 Telephone 01332 830550 Fax 01332 830551
<http://www.keene-electronics.co.uk>
<http://www.syncblaster.com>

Trade enquiries
 and OEM welcome

