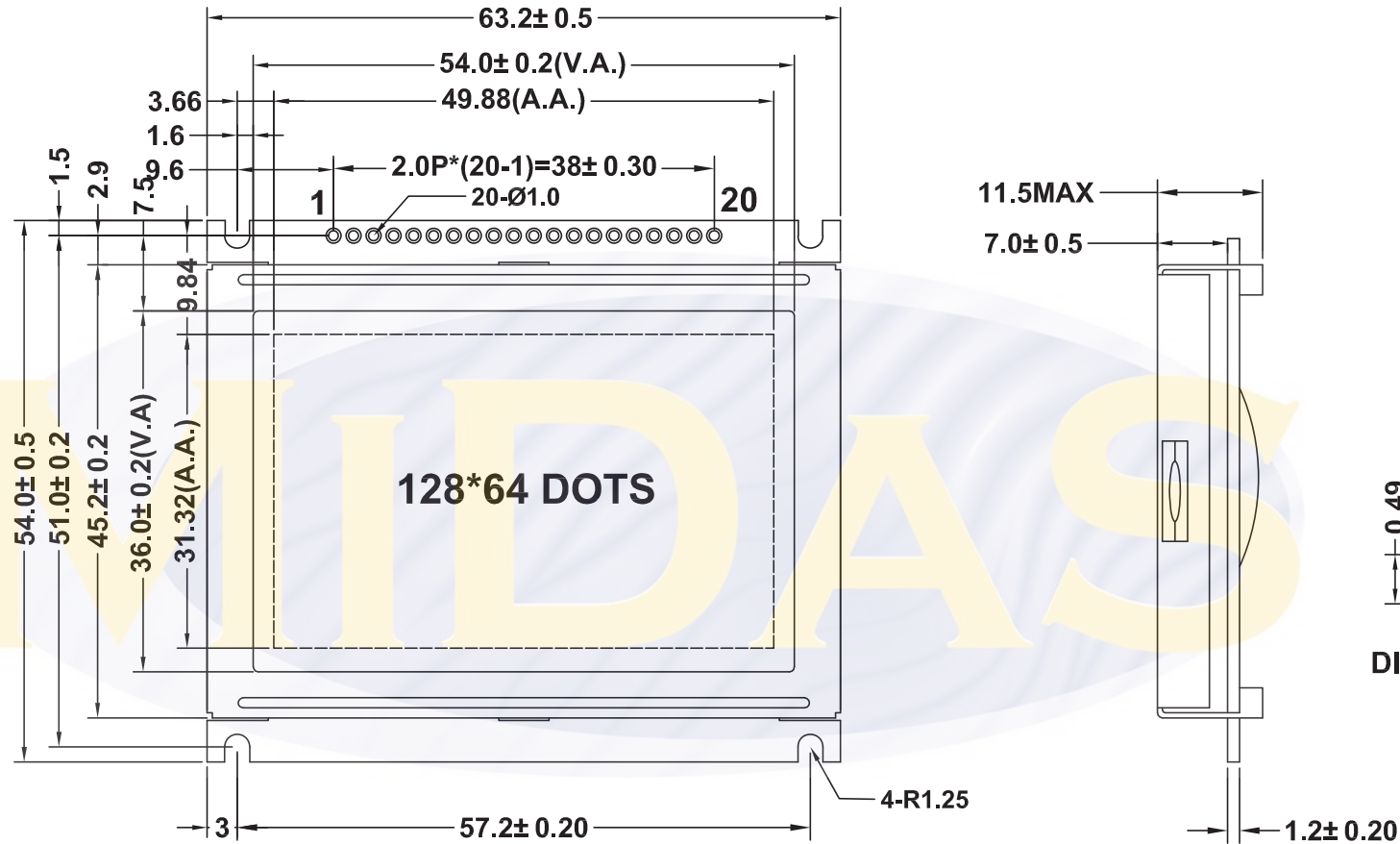


Note: This is only the draft for quotation reference, please don't take it as the tooling basis


Ver	Date	Modify Contents	Issue	Confirm



PERFORMANCE FEATURES

LC FLUID	<input type="checkbox"/> TN <input type="checkbox"/> HTN <input checked="" type="checkbox"/> STN <input type="checkbox"/> FSTN
POLARIZER TYPE	<input checked="" type="checkbox"/> TRANSLFECTIVE <input type="checkbox"/> TRANSMISSIVE <input type="checkbox"/> REFLECTIVE <input checked="" type="checkbox"/> POSITIVE <input type="checkbox"/> NEGATIVE
LCD COLOR	<input checked="" type="checkbox"/> YELLOW-GREEN <input type="checkbox"/> BLUE <input type="checkbox"/> GRAY <input type="checkbox"/> BLACK
BACKLIGHT TYPE	<input checked="" type="checkbox"/> Array LED <input type="checkbox"/> Edge LED <input type="checkbox"/> EL <input type="checkbox"/> CCFL <input type="checkbox"/> Without
BACKLIGHT COLOR	<input checked="" type="checkbox"/> YELLOW-GREEN <input type="checkbox"/> BLUE-GREEN <input type="checkbox"/> RED <input type="checkbox"/> AMBER <input type="checkbox"/> BLUE <input type="checkbox"/> GREEN <input type="checkbox"/> WHITE <input type="checkbox"/> Without
VIEWING ANGLE	<input checked="" type="checkbox"/> 6:00 <input type="checkbox"/> 12:00
TEMP. RANGE	<input type="checkbox"/> STANDARD <input checked="" type="checkbox"/> WIDE <input type="checkbox"/> SUPER WIDE
DC-DC IC	<input checked="" type="checkbox"/> Built-in <input type="checkbox"/> Without
ROHS	<input checked="" type="checkbox"/> YES <input type="checkbox"/> NO
IC	NT7107C+NT7108C
REMARKS	VLCM=5.0V,VLCD=8.9V,VLED=5.0V

PIN	SIGNAL	PIN	SIGNAL
1	VSS	11	DB4
2	VDD	12	DB5
3	V0	13	DB6
4	D/I	14	DB7
5	R/W	15	CS1
6	E	16	CS2
7	DB0	17	/RST
8	DB1	18	VOUT
9	DB2	19	A
10	DB3	20	K

DRAWN BY:FDZ83	DRAWN NO.:	
CHECKED BY: FDZ82 <i>FDZ82</i>	DRAFT	
CHECKED DOC:FEQC001741	PRODUCT NO.:	UNIT: mm
DATE: 2011-09-24	MC128064F6W7-SPTLY	REV. A01
SHEET 1	OF 1	