



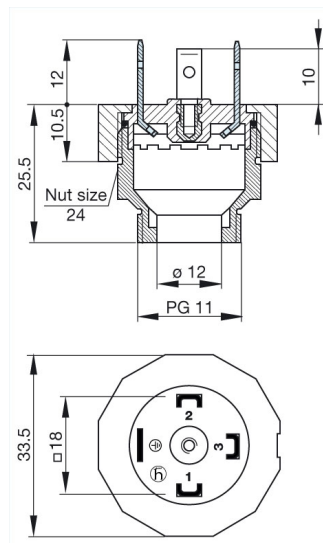
GSP 311 PG11 schwarz/black

Rectangular connectors GDM-series:Type A EN 175301-803 (DIN 43650) / ISO 4400:Appliance connector

Product description

Description	appliance connector with thread, appliance connector, threaded sleeve, grip ring, o-ring (NBR)
Type	GSP 311 PG11 schwarz/black
Order No.	931 297-001
Number of contacts	3 + PE
Cable gland	PG 11
Standard	DIN EN 175 301-803-A
Housing Color	black
Construction type	A

Drawing



Technical data

Rated voltage	UC 400 V
Rated current	16 A
Contact resistance	<= 4 mOhm
Type of termination	solder
Mounting	screw

Material

Contact surface material	Sn
Contact bearer material	PA
Housing material	PA

Environmental conditions

Protection class (IEC 60529)	IP 65 (gasket necessary) (mated)
Pollution severity	3

Temperature range -40 °C to +125 °C

Inflammability class

Contact bearer 94 HB

Approvals

VDE VDE

SEV SEV

Packaging unit

Packaging unit 200 pieces