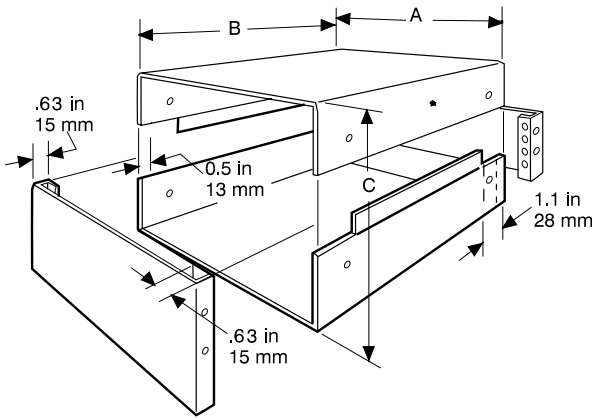
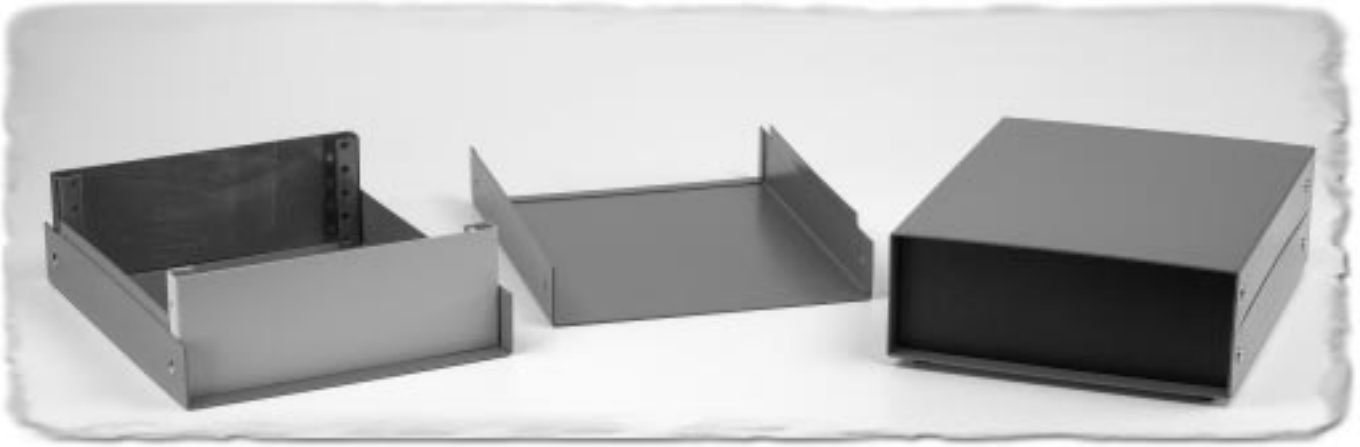


# Instrument Case (1458 Series)



## KEY FEATURES

- 18 gauge steel case with black or gulf blue satin finish.
- Easy to machine 0.064" (1.6 mm) thick aluminum panels front and rear panels (one satin black and one contemporanea grey for each case).
- Symmetrical design - end panels are interchangeable.
- 6-32 Philips nickel plated screws and self-adhesive rubber feet included.
- Replacement screws **1421J6** (Pkg. of 6, 6-32 Philips head screws).

Part Number		Units	Dimensions		
Satin Black	Satin Blue		A	B	C
<b>1458A3</b>	<b>1458A3B</b>	inch mm	4 101	4 101	3 76.2
<b>1458B4</b>	<b>1458B4B</b>	inch mm	6 152	4 101	4 101
<b>1458C3</b>	<b>1458C3B</b>	inch mm	6 152	6 152	3 76.2
<b>1458C4</b>	<b>1458C4B</b>	inch mm	6 152	6 152	4 101
<b>1458D3</b>	<b>1458D3B</b>	inch mm	8 203	8 203	3 76.2
<b>1458D4</b>	<b>1458D4B</b>	inch mm	8 203	8 203	4 101
<b>1458D5</b>	<b>1458D5B</b>	inch mm	8 203	8 203	5 127
<b>1458E3</b>	<b>1458E3B</b>	inch mm	8 203	10 254	3 76.2
<b>1458E4</b>	<b>1458E4B</b>	inch mm	8 203	10 254	4 101
<b>1458E5</b>	<b>1458E5B</b>	inch mm	8 203	10 254	5 127
<b>1458G3</b>	<b>1458G3B</b>	inch mm	10 254	8 203	3 76.2
<b>1458G4</b>	<b>1458G4B</b>	inch mm	10 254	8 203	4 101
<b>1458G5</b>	<b>1458G5B</b>	inch mm	10 254	8 203	5 127

Metal