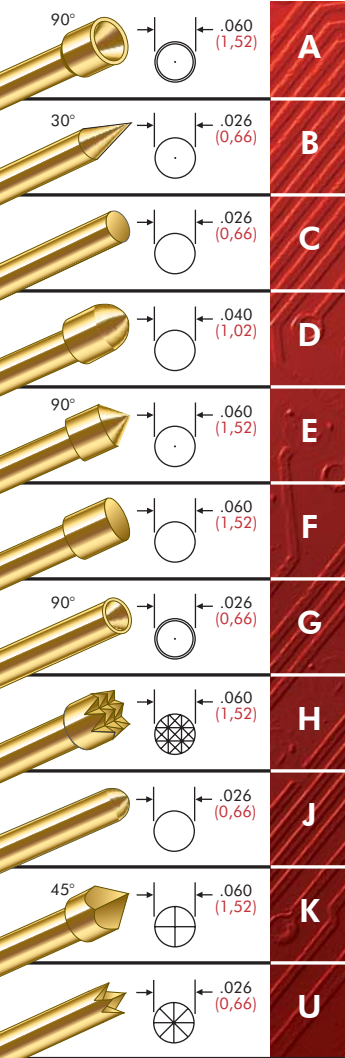


Series S SIZE 1 .075 CENTERS

BEcu PLUNGERS



PROBE SPECIFICATIONS

Minimum Centers: .075 (1,91)
 Current Rating: 3 amps continuous
 Spring Force: 2.0, 3.8 or 6.6 oz. @ .070 (1,78) travel
 Contact Resistance: <25 mΩ
 Working Travel: .070 (1,78)

Rated Force oz (gms)	Preload oz (gms)	Material
2.0 (57)	0.8 (23)	SS
3.8 (108)	1.5 (43)	SS
6.6 (187)	2.0 (57)	MW

RECEPTACLE SPECIFICATIONS

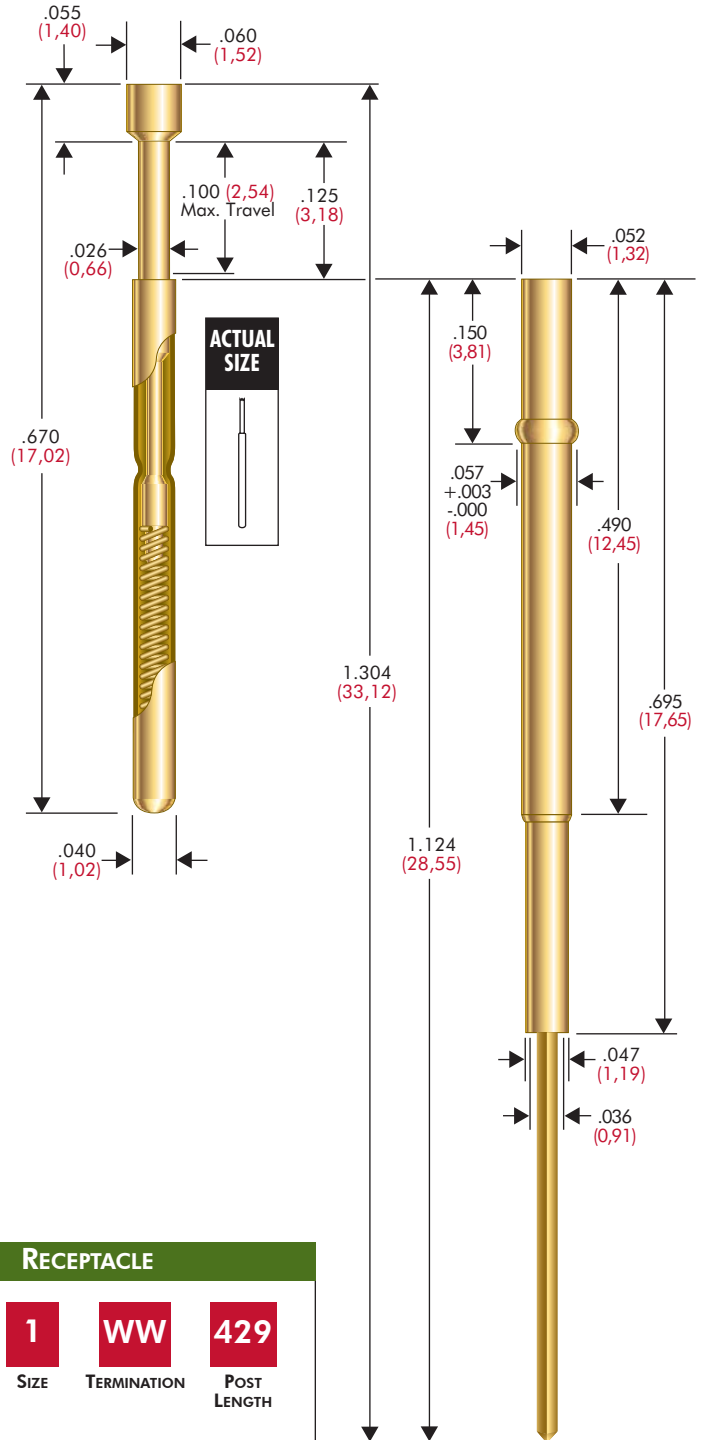
Connections:
 R-1-CR: Crimp
 R-1-SC: Solder Cup
 R-1-WW: Wire Wrap, .025 (0,64) square post, .429 (10,90) length
 R-1-RP: Round Post, .025 (0,64) diameter, .375 (9,53) length

Recommended Wire:
 24-28 gage
Drill Size: 1,45mm
Mounting Hole Size:
 .055/.057 (1,40/1,45)

MATERIALS

Barrel: Nickel/silver, gold plated
 Spring: Stainless steel or music wire, gold plated
 Plunger: Full-hard beryllium copper, gold plated over nickel or optional Duralloy™
 Receptacle: Nickel/silver, gold plated, gold plated post

S 1 PROBE AND RECEPTACLE



HOW TO ORDER: SPRING CONTACT PROBE

S **1** **A** **3.8** **G**
 SERIES SIZE TIP STYLE SPRING FORCE PLATING OPTIONS

SERIES:
 S: Standard
 SX: Improved Pointing Accuracy
SPRING FORCE:
 2.0 oz. @ .070 (1,78) travel
 3.8 oz. @ .070 (1,78) travel
 6.6 oz. @ .070 (1,78) travel

PLATING OPTIONS:
 G: Gold Plated Plunger
 D: Duralloy™ Plated Plunger

CRIMPING PLIERS: CP1
INSERTION TOOL: RT1

RECEPTACLE

R **1** **WW** **429**
 SERIES SIZE TERMINATION POST LENGTH

TERMINATIONS:
 CR: Crimp
 SC: Solder Cup
 WW: Wire Wrap
 RP: Round Post

POST LENGTH:
 WW: 429
 RP: 375

View updates of this information at <http://www.idinet.com>

Specifications subject to change without notice. Dimensions in inches (millimeters)