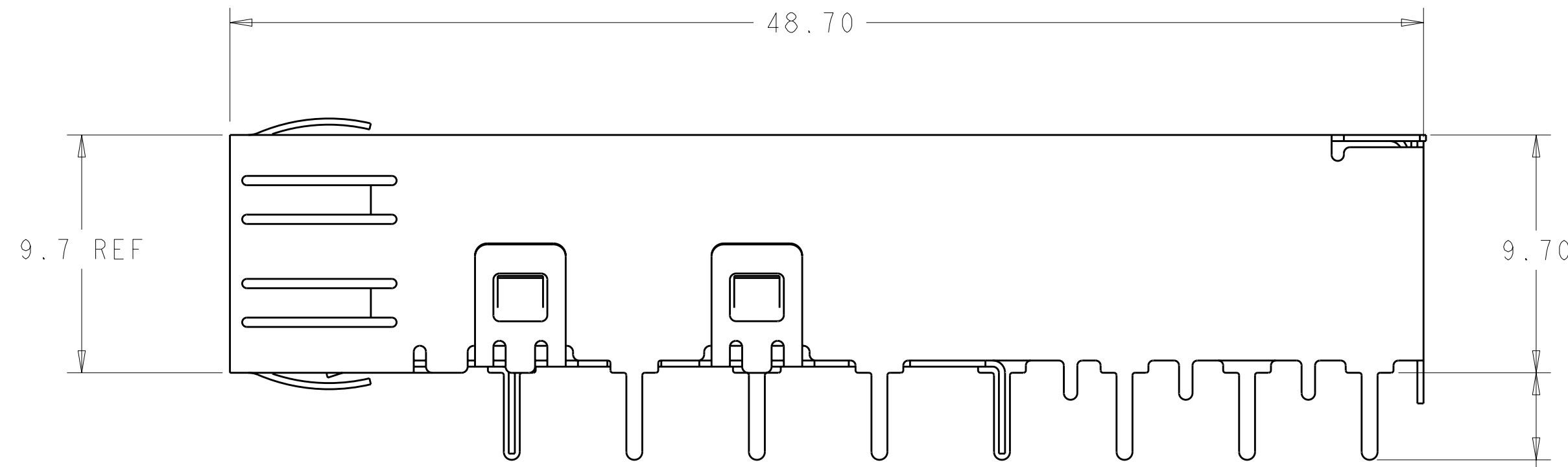
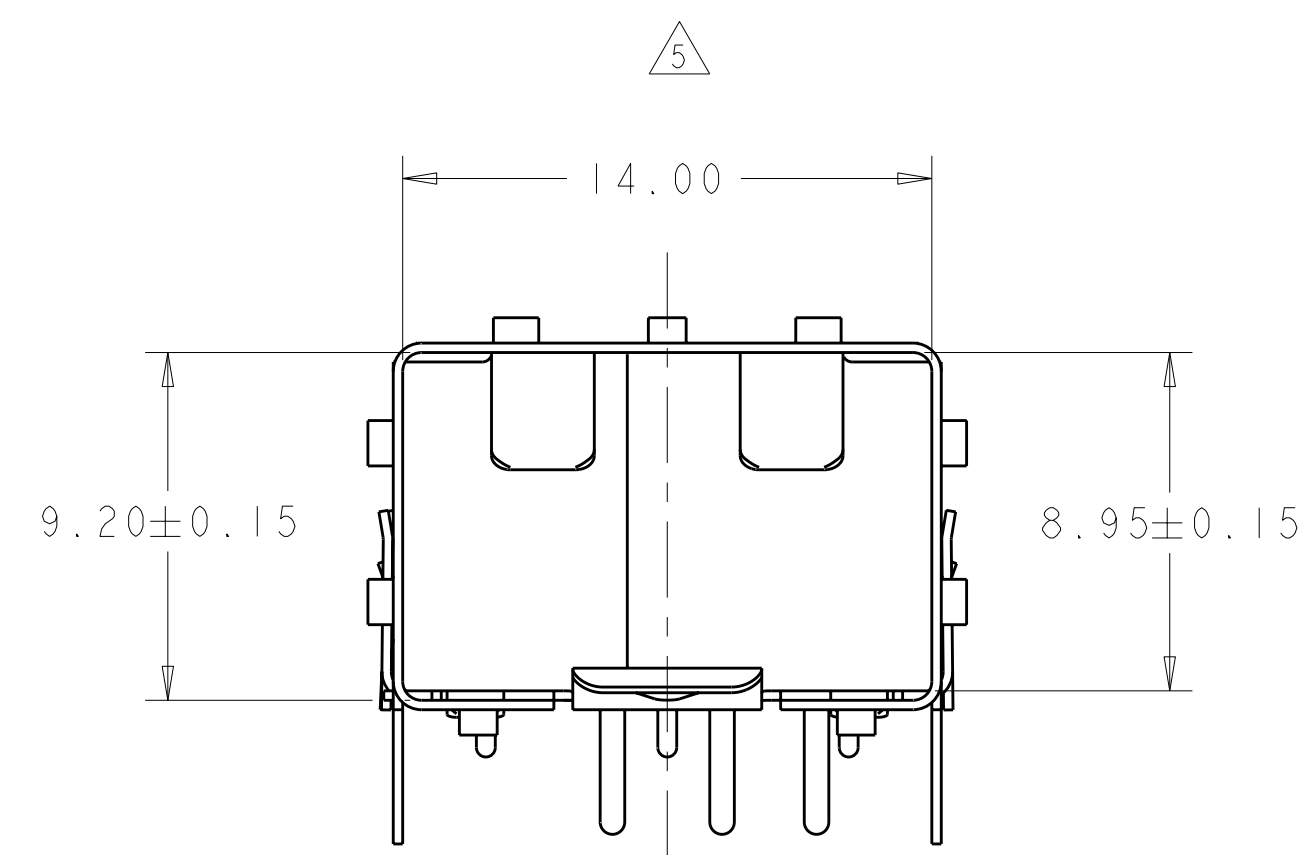
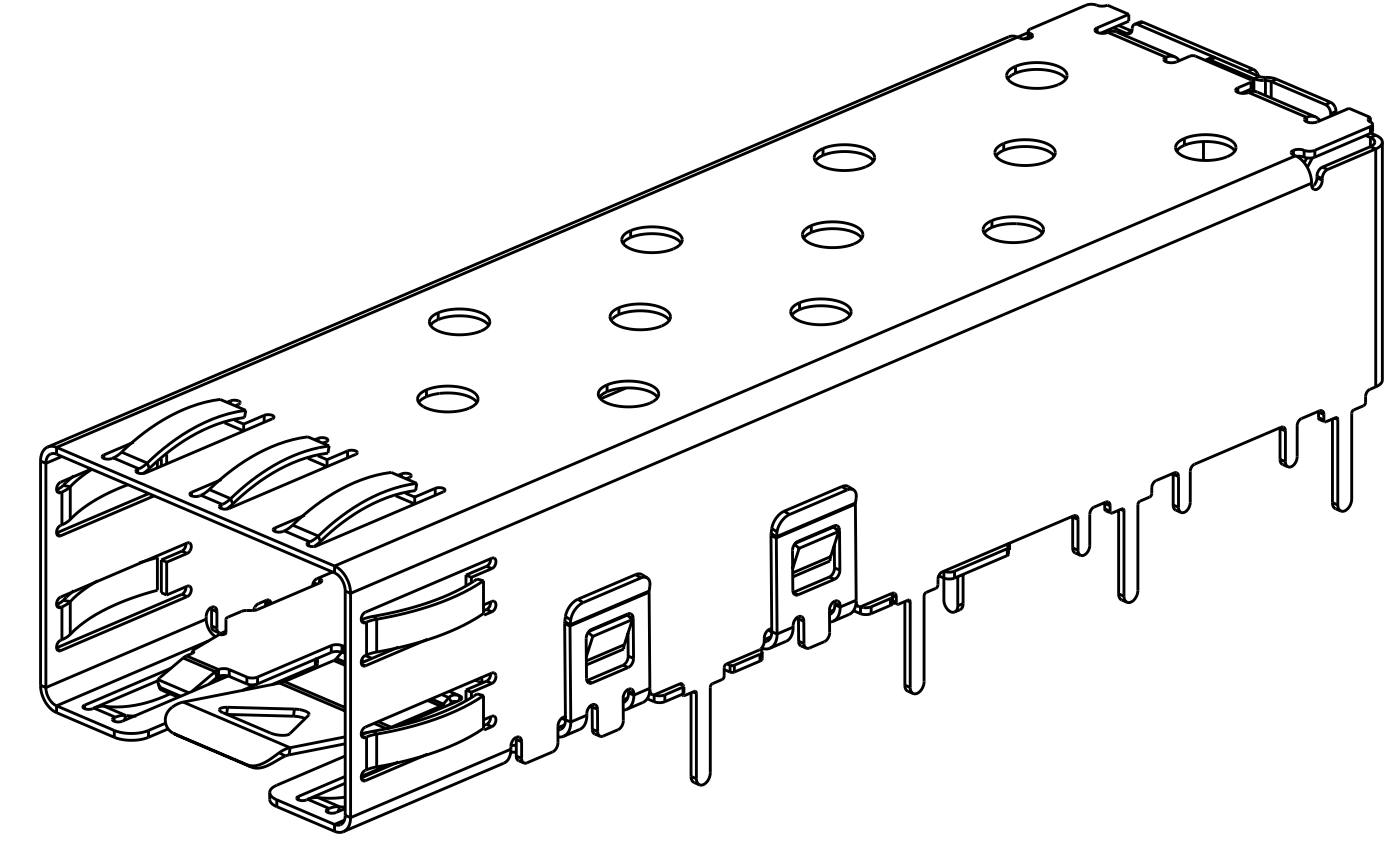
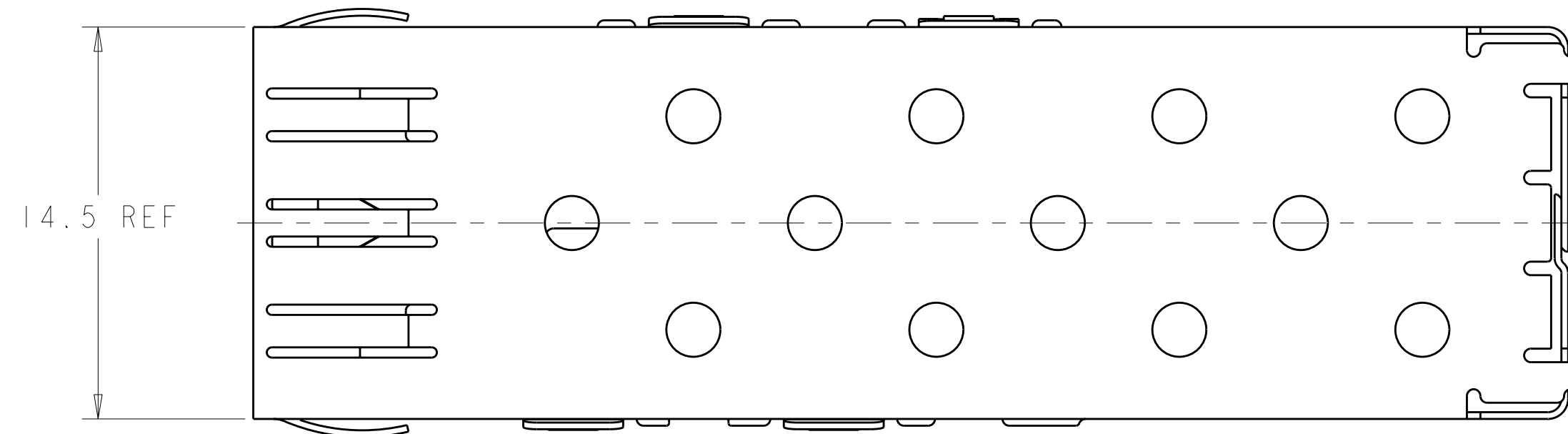
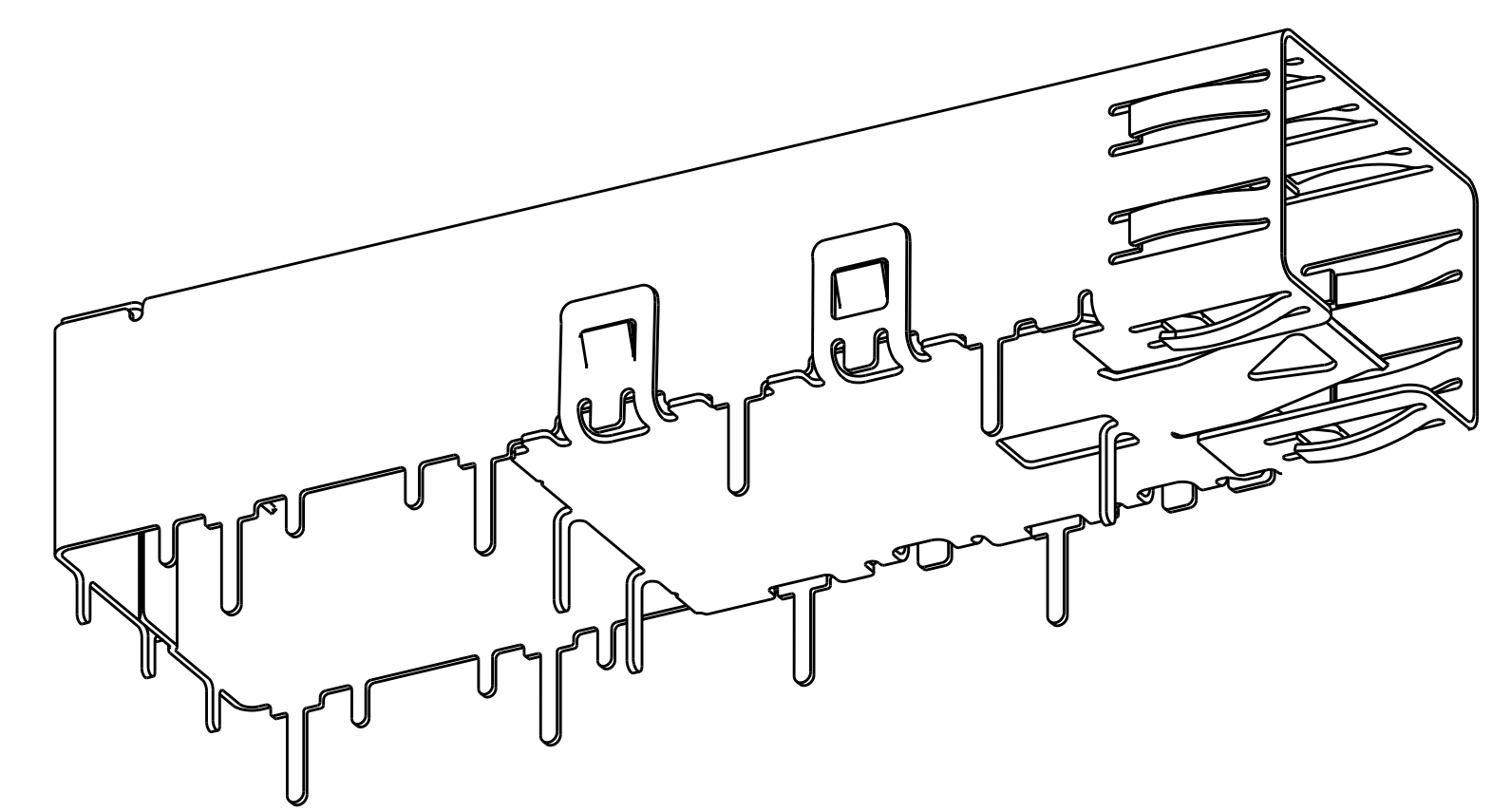
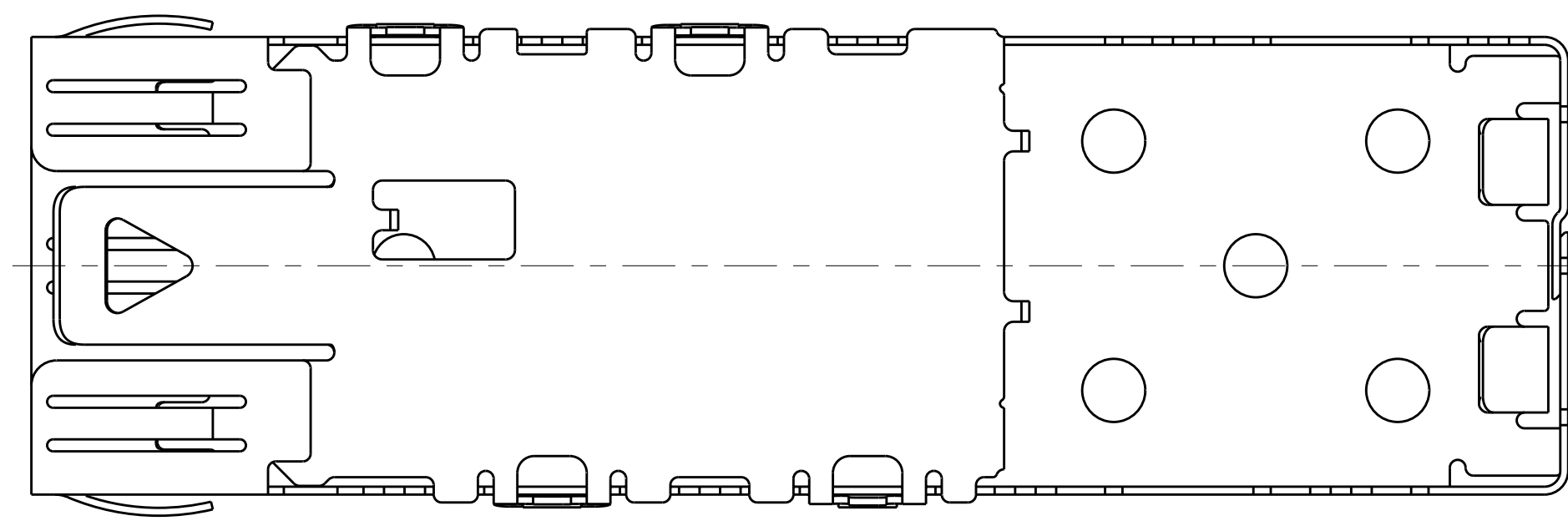
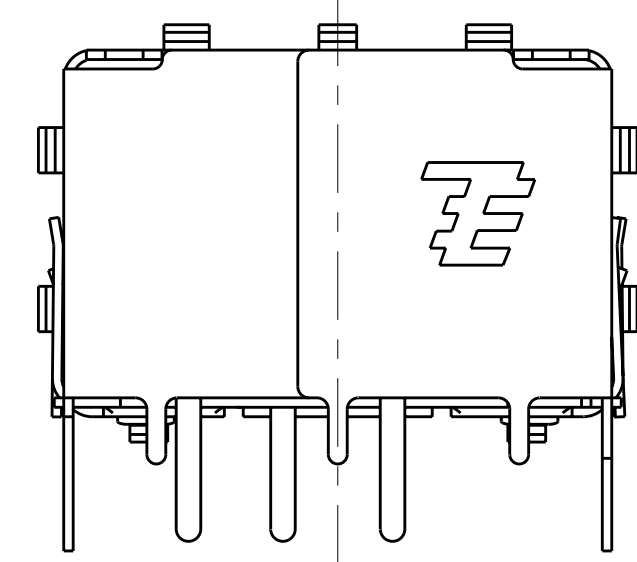


LOC	DIST	REVISIONS			
REV	DATE	DESCRIPTION	DATE	DWN	APVD
ES	00				
A6		REVISED PER ECO-11-005033	18MAR2011	RK	HMR



DIM AA



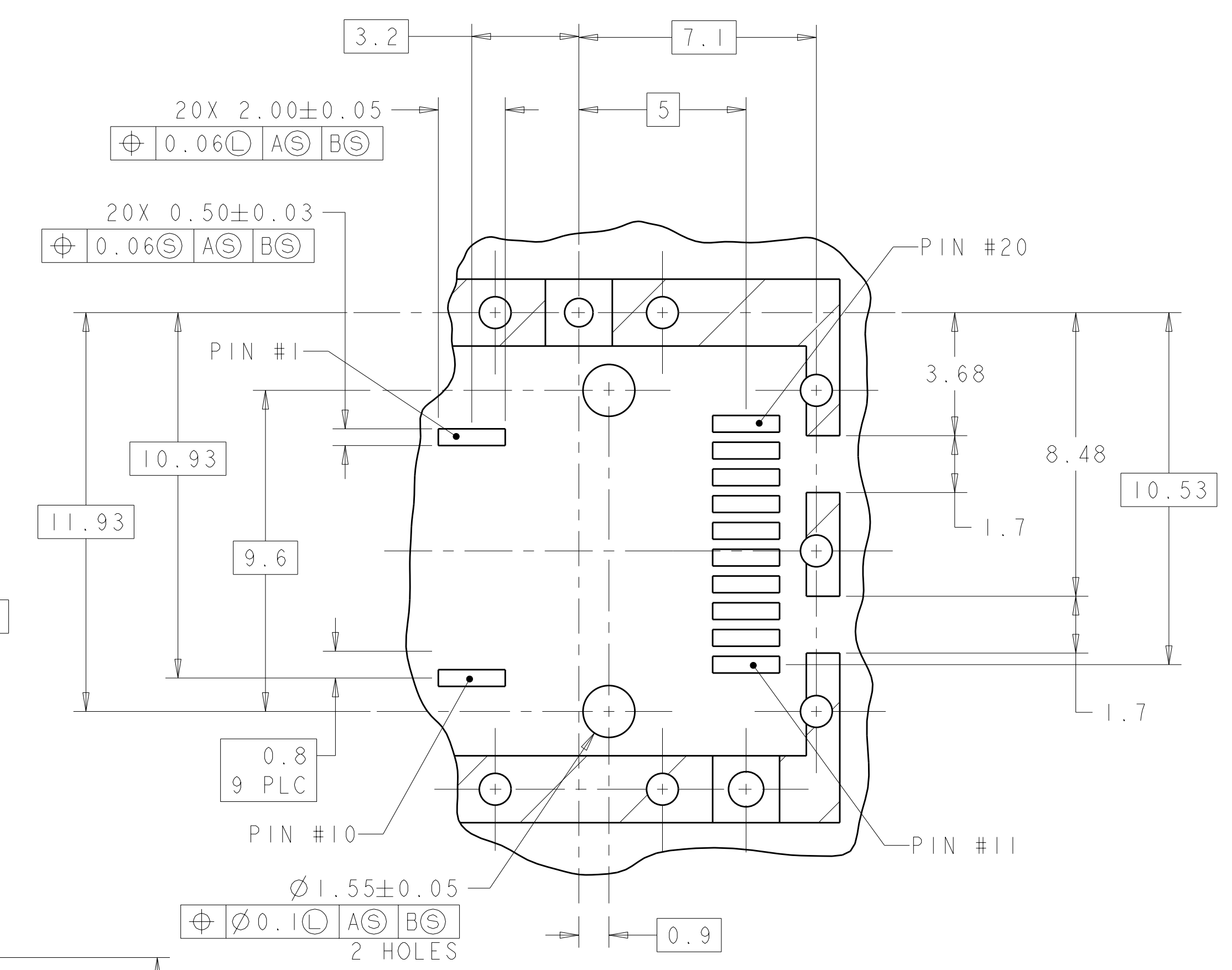
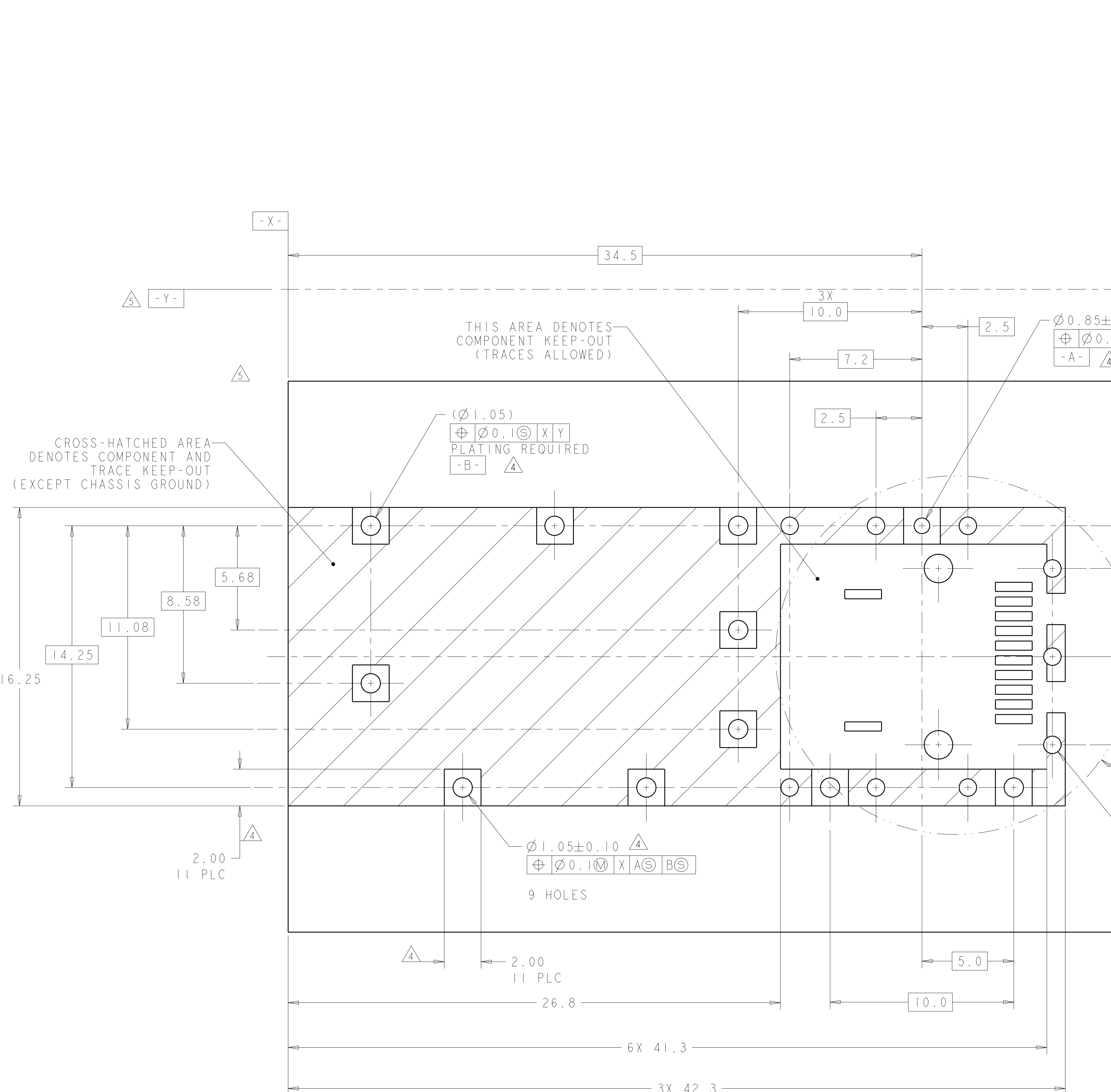
- 1 0.25 THICK COPPER ALLOY.
- 2 TIN OVER NICKEL. NONPLATED EDGES PERMISSIBLE.
- 3. SFP MSA COMPATIBLE.
- 4 PADS AND VIAS CHASSIS GROUND.
- 5 DATUM AND BASIC DIMENSION ESTABLISHED BY CUSTOMER.

TRAY	1.80	1489962-4
REEL	1.80	1489962-3
TRAY	3.55	1489962-1
PACKAGING	DIM AA	PART NUMBER

THIS DRAWING IS A CONTROLLED DOCUMENT.		DWN	J. GERACE	11JUL02		
DIMENSIONS:		CHK	J. KOPPENHEFFER	08JAN03		
mm		APVD	M. WALMSLEY	08JAN03		
TOLERANCES UNLESS OTHERWISE SPECIFIED:		NAME		TE Connectivity		
0 PLC	±	PRODUCT SPEC		CAGE ASSEMBLY, SOLDER PIN, SFP		
1 PLC	±0.10	APPLICATION SPEC		-		
2 PLC	±	RESTRICTED TO				
3 PLC	±	SIZE		A100779C=1489962		
4 PLC	±	SCALE		5:1		
ANGLES	±	SHEET		1 OF 3		
MATERIAL	FINISH	WEIGHT		REV A6		
		CUSTOMER DRAWING				

LOC	DIST	REV	DATE	BY	APPROV
ES	00				

REVISIONS		DATE	BY	APPROV
1	SEE SHEET 1			

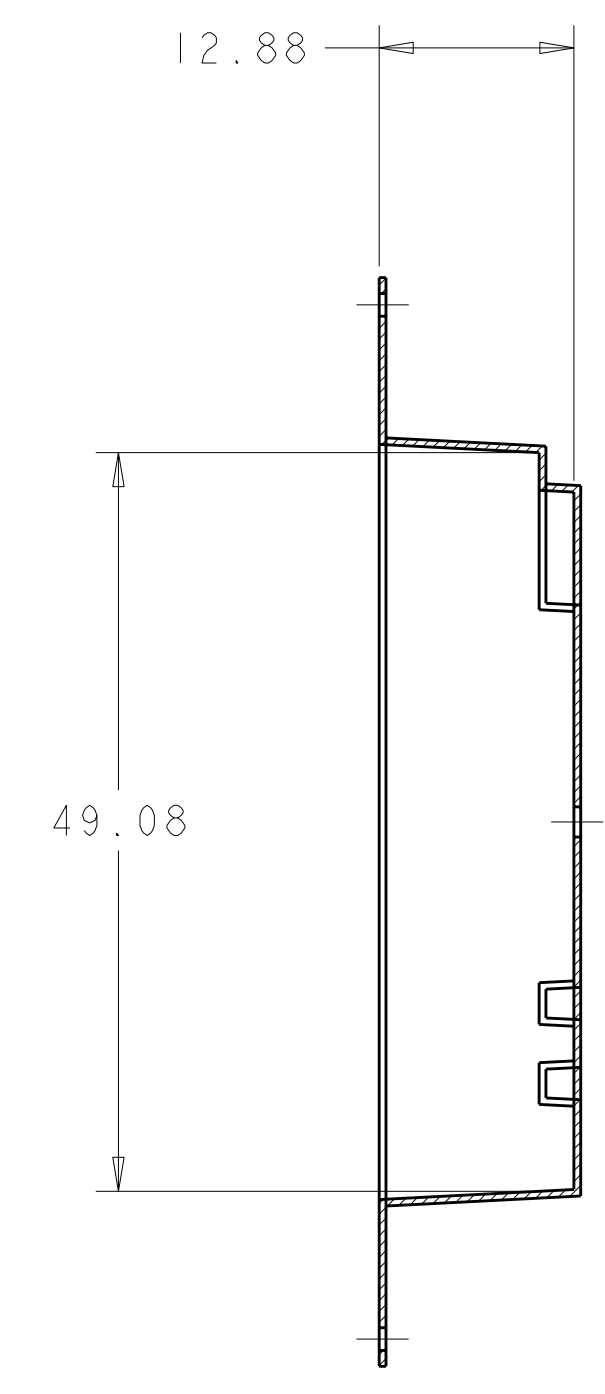
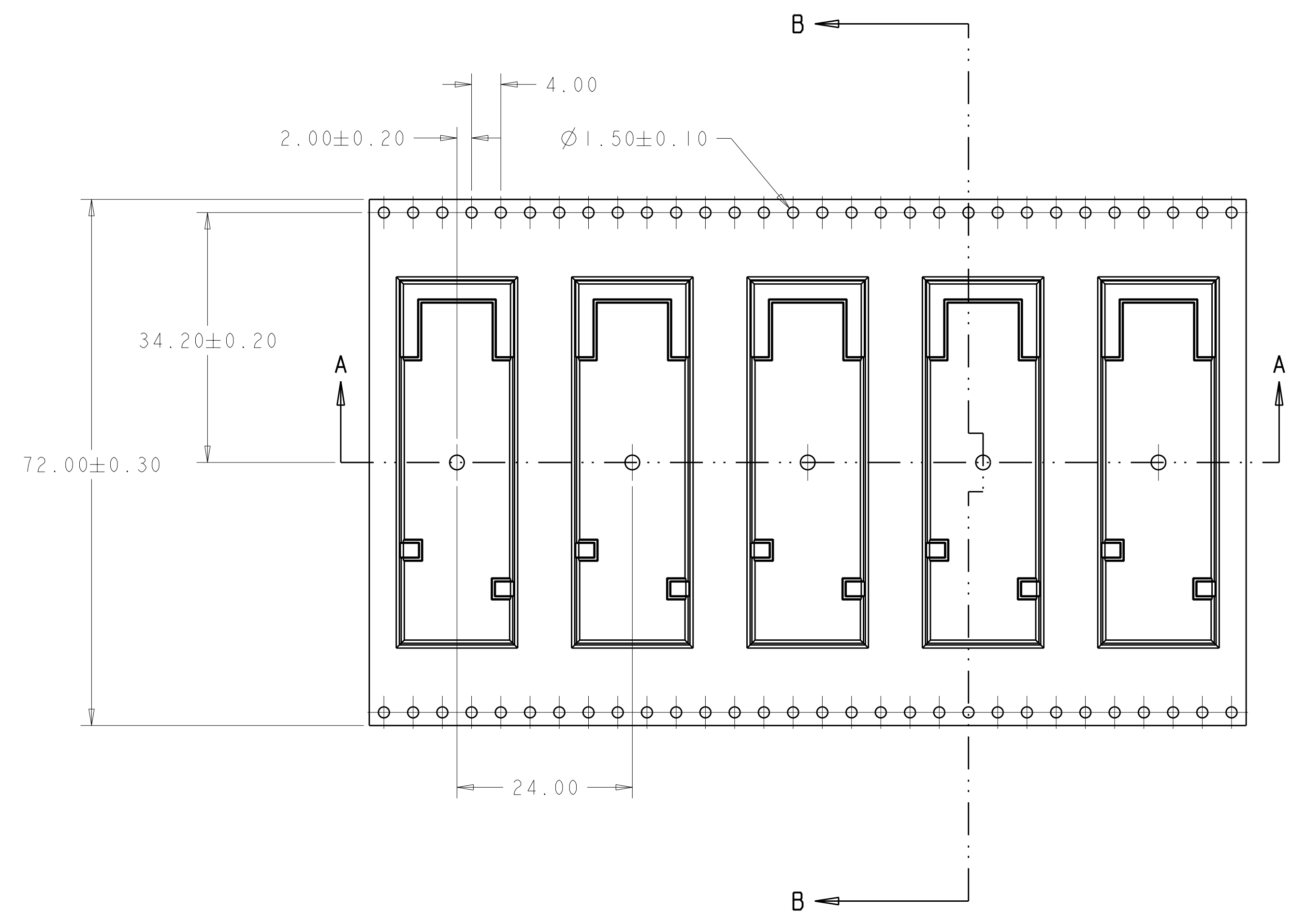


DETAIL G
 SCALE 8:1

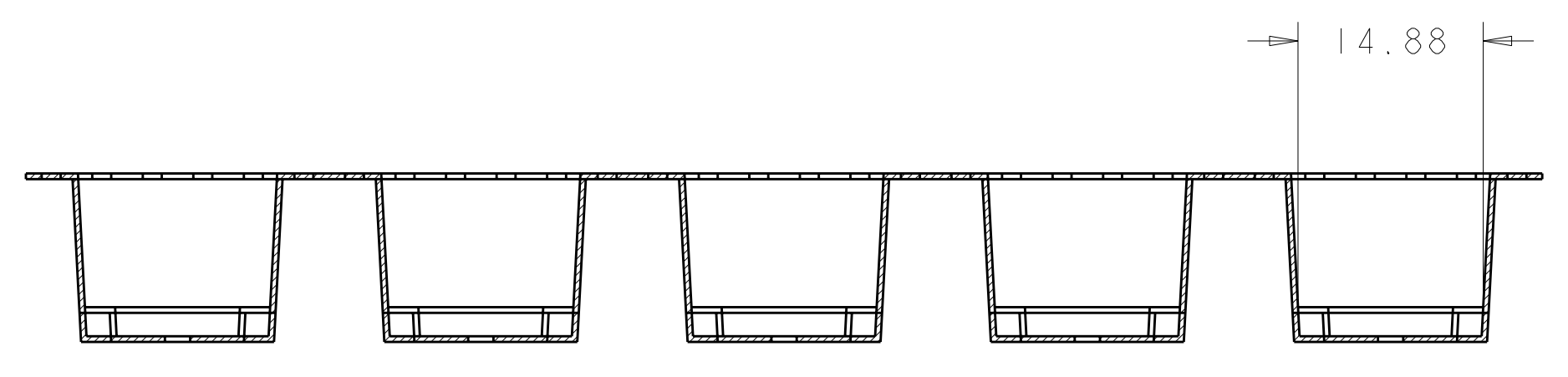
RECOMMENDED PCB LAYOUT
 SCALE 8:1

THIS DRAWING IS A CONTROLLED DOCUMENT.		DWN: J. GERACE 11JUL02 CHK: J. KOPPENHEFFER 08JAN03 APVD: M. WALMSLEY 08JAN03	TE Connectivity
DIMENSIONS: mm TOLERANCES UNLESS OTHERWISE SPECIFIED: 9 PLC ± 5 PLC ±0.10 4 PLC ± ANGLES ±		NAME: CAGE ASSEMBLY, SOLDER PIN, SFP PRODUCT SPEC: 108-1950 APPLICATION SPEC: 114-13017 WEIGHT: - FINISH: -	
MATERIAL:		SIZE: A100779 CAGE CODE: C=1489962 CUSTOMER DRAWING	RESTRICTED TO: - SCALE: 5:1 SHEET 2 OF 3 REV A6

LOC	DIST	REVISIONS			
ES	00	REV	DATE	BY	APPD
		-	SEE SHEET 1	-	-



SECTION B-B



SECTION A-A

1489962-3 REEL PACKAGING

THIS DRAWING IS A CONTROLLED DOCUMENT.		DWN: J. GERACE 11JUL02 CHK: J. KOPPENHEFFER 08JAN03 APVD: M. WALMSLEY 08JAN03	STE TE Connectivity	
DIMENSIONS: mm	TOLERANCES UNLESS OTHERWISE SPECIFIED: 0 PLC ± 1 PLC ±0.10 2 PLC ± 3 PLC ± 4 PLC ± ANGLES ±	PRODUCT SPEC: 108-1950 APPLICATION SPEC: 114-13017	NAME: CAGE ASSEMBLY, SOLDER PIN, SFP SIZE: A100779 C=1489962	
MATERIAL:	FINISH:	WEIGHT:	CUSTOMER DRAWING	SCALE: 5:1 SHEET 3 OF 3 REV A6