

THIS DRAWING IS UNPUBLISHED.

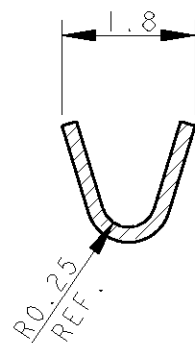
RELEASED FOR PUBLICATION

© COPYRIGHT

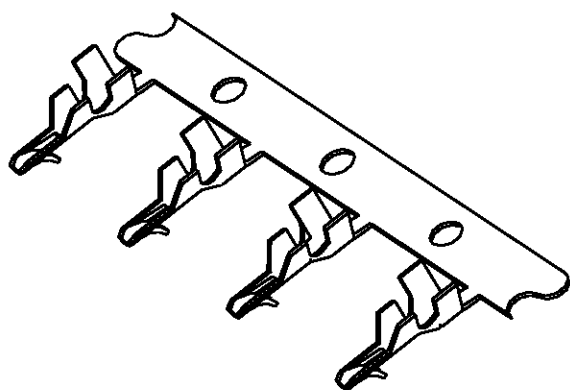
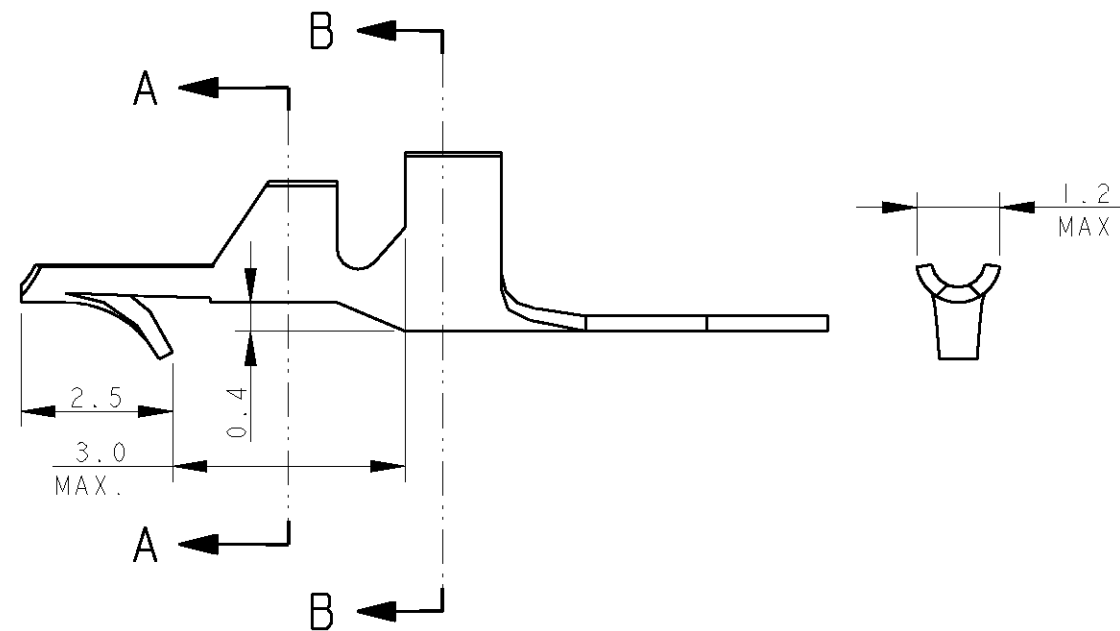
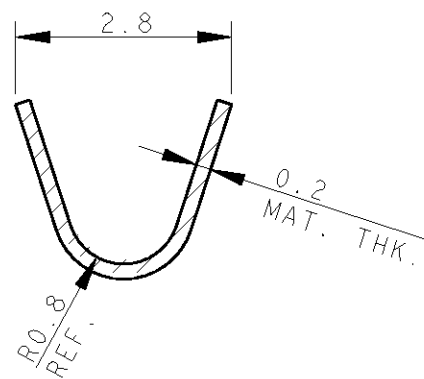
ALL RIGHTS RESERVED.

LOC	DIST	REVISIONS			
P	LTR	DESCRIPTION	DATE	DWN	APVD
		S2	REVISED PER ECO-11-005140	31MAR11	RK HMR

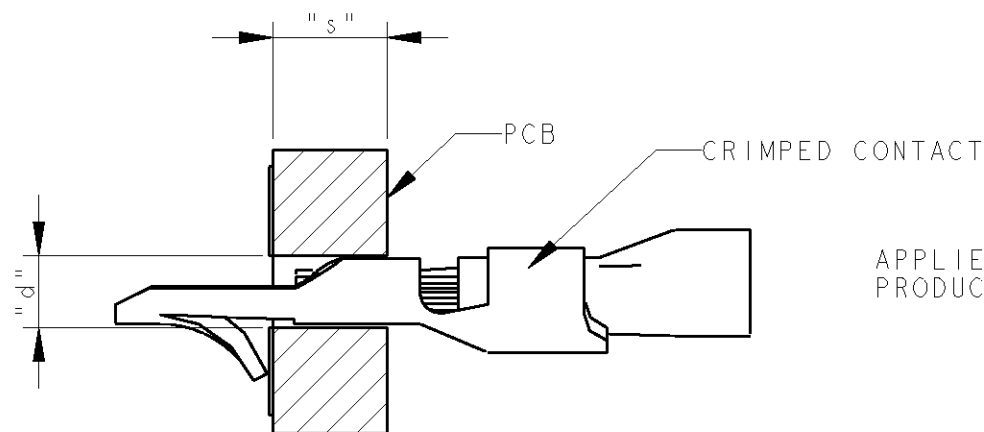
SECTION A-A



SECTION B-B



SCALE 3:1



APPLIED PRODUCT ILLUSTRATION

STATO DI FORNITURA (SUPPLY CONDITION)

SENSO DI USCITA DEL CONTATTO DALLA BOBINA (DIRECTION OFF TOP OF REEL)	
 P/N 0-925819-3	ALETTE DI AGGRAFFATURA RIVOLTE VERSO L'ALTO ("U"ing UP)
 P/N 0-925819-4	ALETTE DI AGGRAFFATURA RIVOLTE VERSO IL BASSO ("U"ing DOWN)

26-22	1.3+0.15 1.2+0.15	1.5 1.5 & 2	654079-2	NOTE	STAGNATO CON SOTTOSTRATO DI NICHEL (TIN OVER NICKEL)	OTTONE (BRASS)	0-925819-4	S
WIRE RANGE [AWG]	HOLE DIA. "d" [mm]	PCB THK. "s" [mm]	LOG No.				FINITURA/COLORE (FINISH/COLOUR)	MATERIALE (MATERIAL)

DIMS: mm		TOLERANCES UNLESS OTHERWISE SPECIFIED:		DWN H. YAALI 03JUL2003	TE Connectivity MINI AMP-IN CONTACT (STRIP FORM)				
		0 PLC ± - 1 PLC ± 0.3 2 PLC ± - 3 PLC ± - 4 PLC ± - ANGLES ± 2°		CHK C. TARTARI					
MATERIAL AS TABLE		FINISH AS TABLE		APVD -	NAME				
				PRODUCT SPEC -	SIZE				
				APPLICATION SPEC -	CAGE CODE				
				WEIGHT -	DRAWING NO				
				CUSTOMER DRAWING		SCALE 10:1		SHEET 1 OF 1	
						REVISED PER ECO-11-005140		REV S2	

2) SPELLATURA 2.4±0.2 (STRIP LENGTH 2.4±0.2)