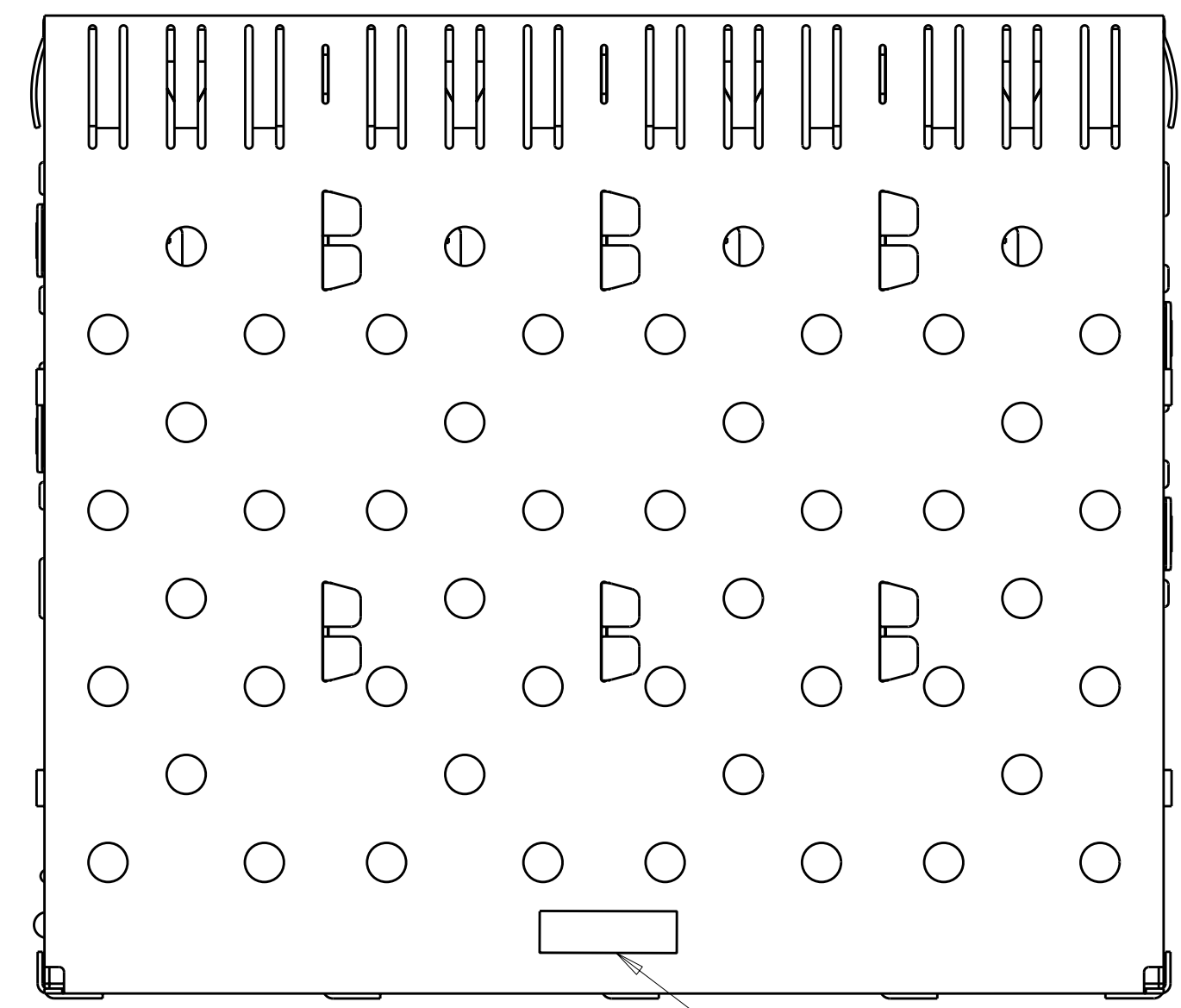
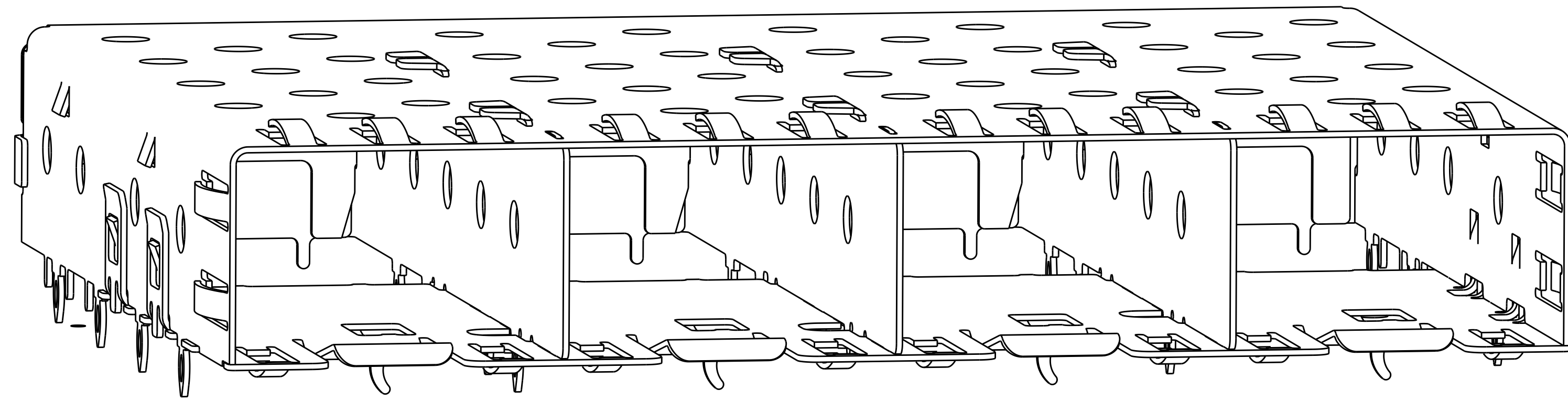
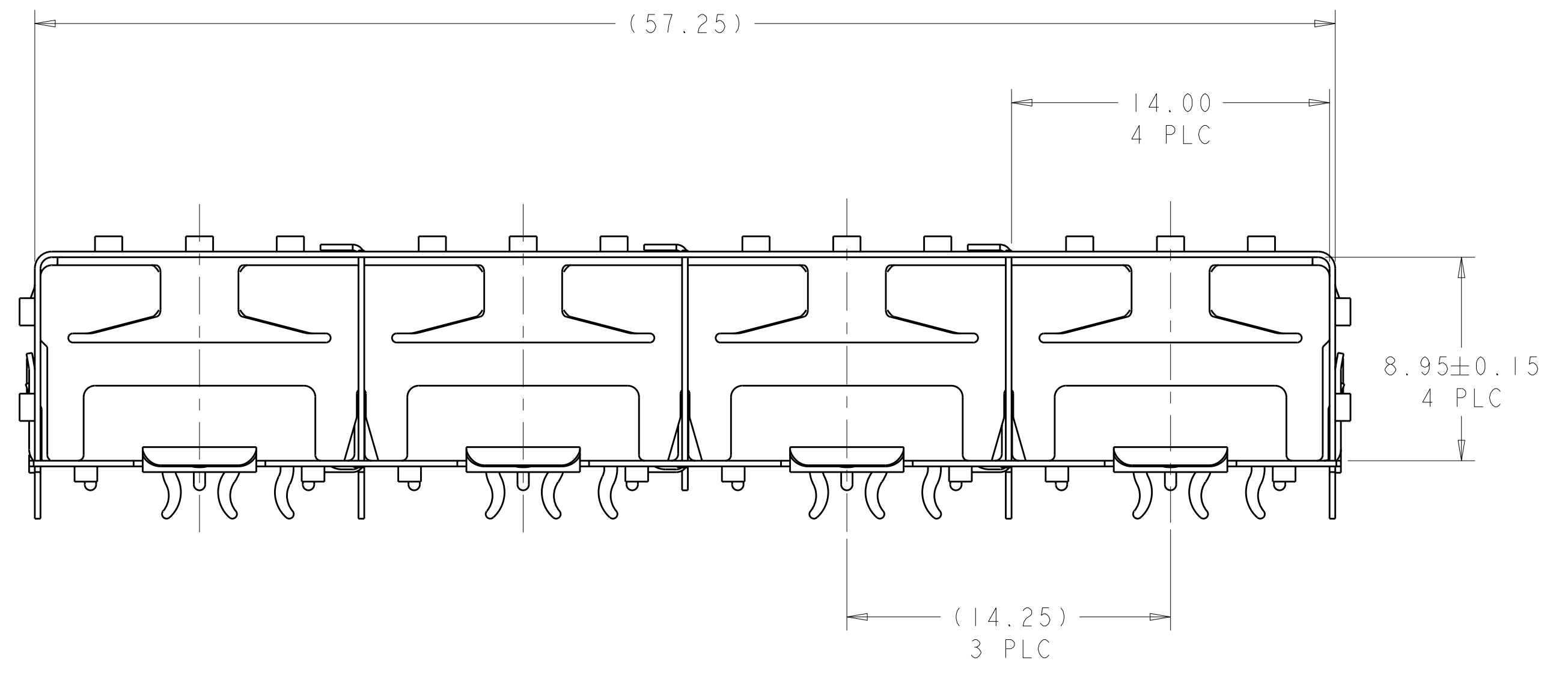
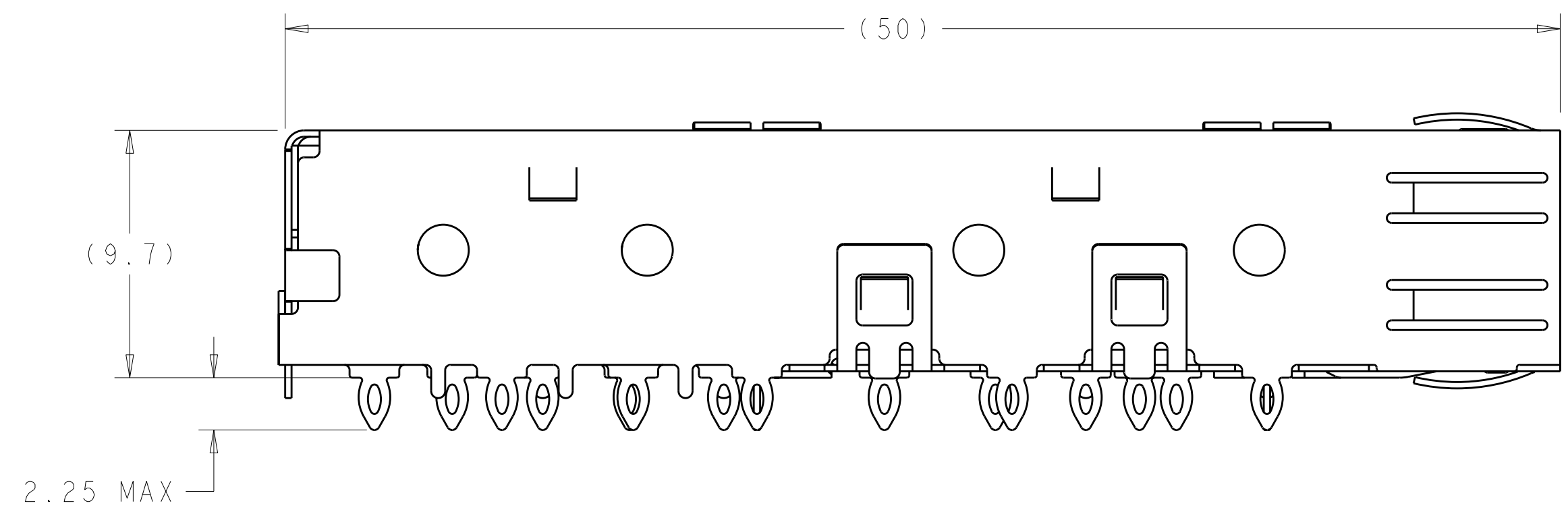


LOC	DIST	REV	DATE	BY	APPD
GP	00				
G1			01APR2011	JY	CW
H			13JUN2012	JY	AC



SCALE 3:1 △7

- △1 MATERIAL: 0.25 THICK COPPER ALLOY.
- △2 FINISH: TIN PLATING PER ASTM B 545, 1.25um MINIMUM THICKNESS ALL OVER NICKEL FLASH PER QQ-N-290. NONPLATED EDGES PERMISSIBLE.
- △3 PADS AND VIAS CHASSIS GROUND.
- △4 DATUM AND BASIC DIMENSION ESTABLISHED BY CUSTOMER.
- △5 REFERENCE APPLICATION SPEC 114-13120, HOLE A, FOR RECOMMENDED DRILL HOLE DIAMETER AND PLATING THICKNESSES.
- △6 REFERENCE APPLICATION SPEC 114-13120, HOLE B, FOR RECOMMENDED DRILL HOLE DIAMETER AND PLATING THICKNESSES.
- △7 COMPANY LOGO IN APPROXIMATE AREA SHOWN
- △8 PATTERN REPEATS FOR EACH PORT. SPACING BETWEEN PORTS IS 14.25 mm.



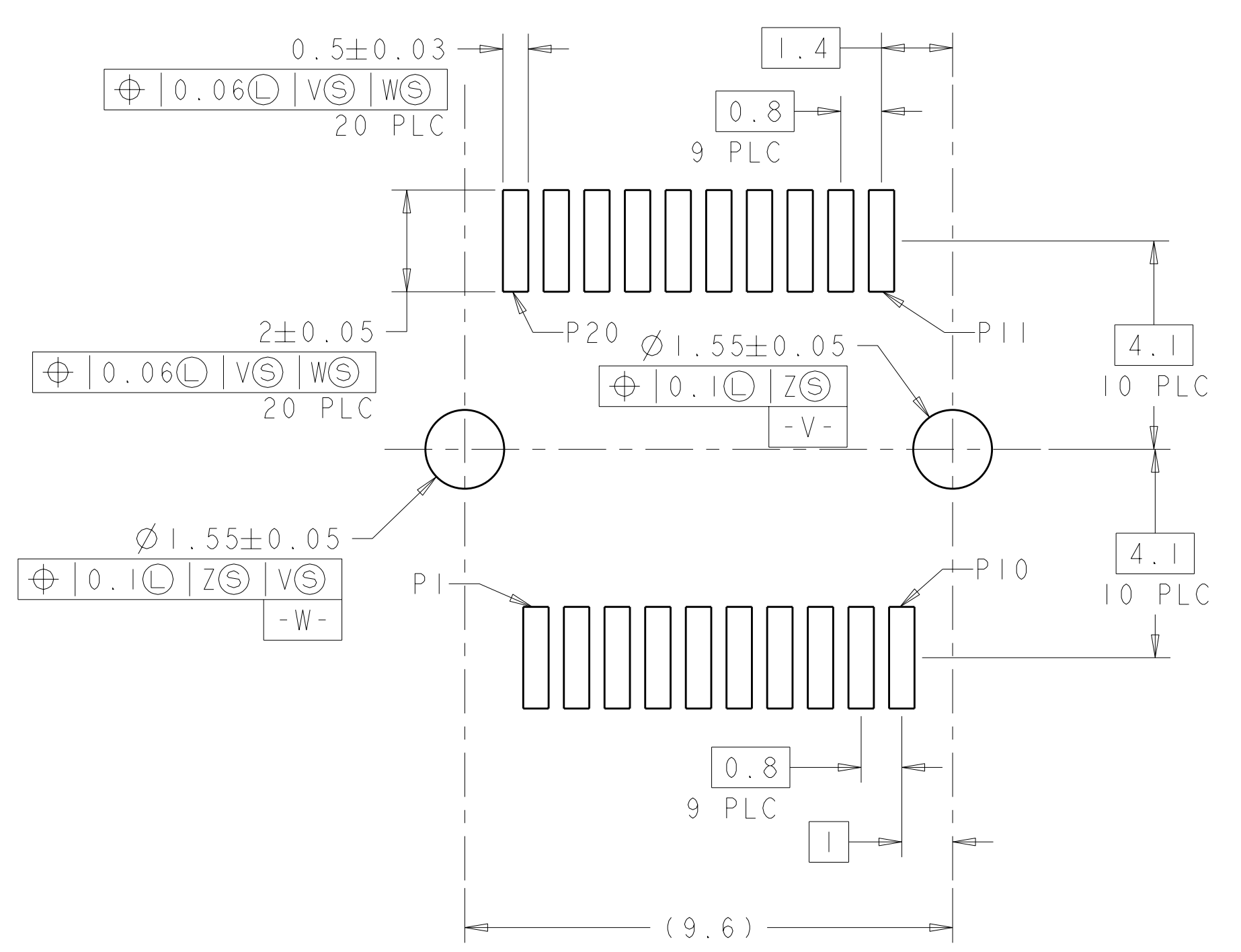
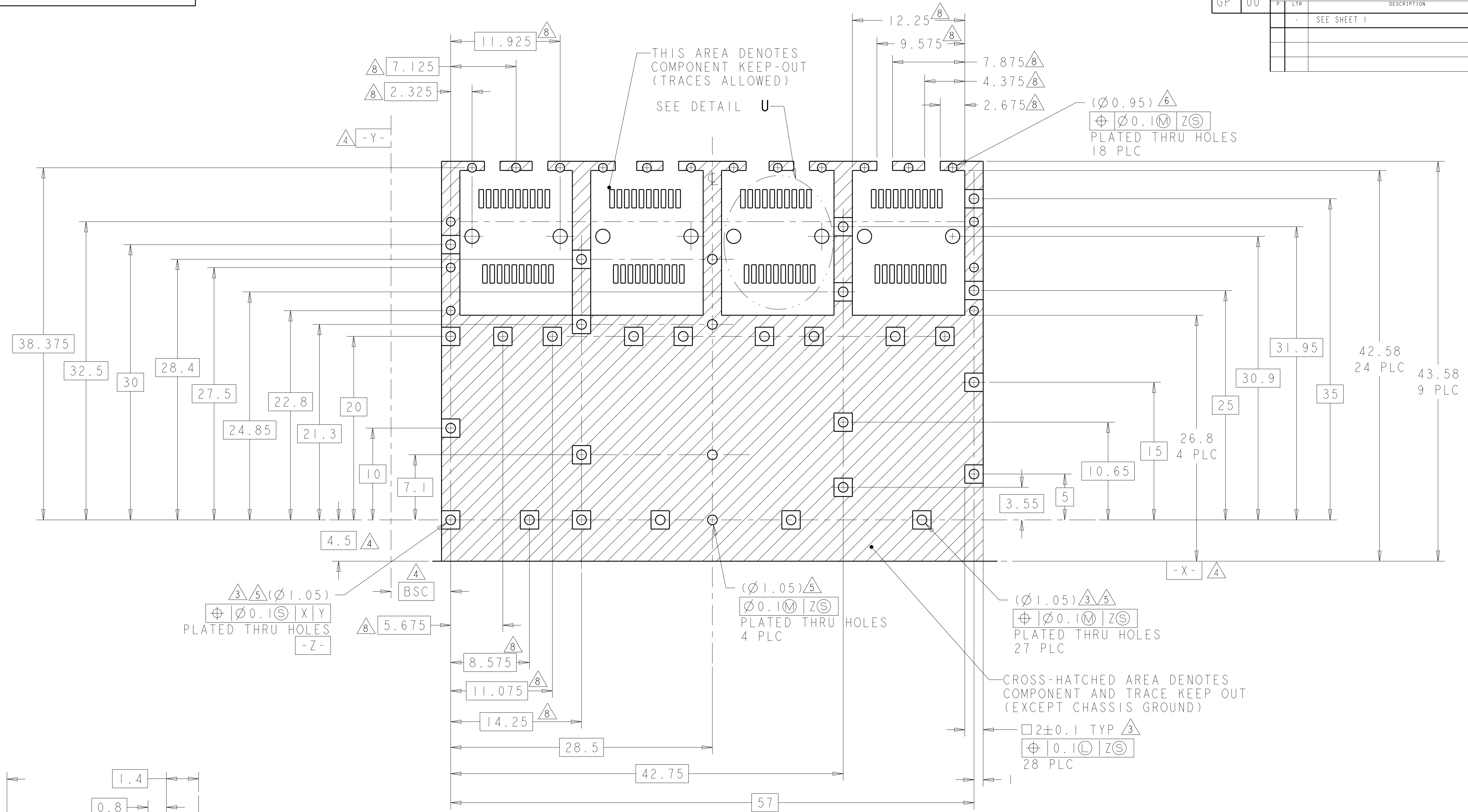
1658744-1
 1X4 CAGE ASSEMBLY
 SCALE 6:1

IX4	1658744-1
POSITION	PART NUMBER

THIS DRAWING IS A CONTROLLED DOCUMENT.		DWN	M. SHIRK	04JUN03	TE Connectivity CAGE ASSEMBLY, 1X4 PRESS FIT, SFP			
DIMENSIONS:		CHK	J. KOPPENHEFFER	06MAY04				
TOLERANCES UNLESS OTHERWISE SPECIFIED:		APVD	M. WALMSLEY	06MAY04				
mm		NAME						
0 PLC ± 1 PLC ±0.1 3 PLC ± 4 PLC ± ANGLES ±°	MATERIAL △ FINISH △	PRODUCT SPEC	108-1950		SIZE	CAGE CODE	DRAWING NO	RESTRICTED TO
		APPLICATION SPEC	114-13120		SCALE	1:1	SHEET 1 OF 2	REV H
		WEIGHT			A100779C=1658744			
		CUSTOMER DRAWING						

LOC	DIST	REV	DATE	BY	APPD
GP	00				

REVISIONS		DATE	BY	APPD
1	SEE SHEET 1			



DETAIL U
 RECOMMENDED PT CONNECTOR LAYOUT
 4X INDIVIDUALLY
 SCALE 10:1

THIS DRAWING IS A CONTROLLED DOCUMENT.		OWN: M. SHIRK 04JUN03	TE Connectivity										
DIMENSIONS: mm		CHK: J. KOPPENHEFFER 06MAY04											
TOLERANCES UNLESS OTHERWISE SPECIFIED:		APVD: M. WALMSLEY 06MAY04	NAME: CAGE ASSEMBLY, 1X4 PRESS FIT, SFP										
<table border="1"> <tr> <td>9 PLC</td> <td>±</td> </tr> <tr> <td>1 PLC</td> <td>±0.1</td> </tr> <tr> <td>5 PLC</td> <td>±</td> </tr> <tr> <td>4 PLC</td> <td>±</td> </tr> <tr> <td>ANGLES</td> <td>±0°</td> </tr> </table>		9 PLC	±	1 PLC	±0.1	5 PLC	±	4 PLC	±	ANGLES	±0°	PRODUCT SPEC: 108-1950	SIZE: A100779
9 PLC	±												
1 PLC	±0.1												
5 PLC	±												
4 PLC	±												
ANGLES	±0°												
MATERIAL: -		APPLICATION SPEC: 114-13120	DRAWING NO: C-1658744										
FINISH: -		WEIGHT: -	RESTRICTED TO: -										
CUSTOMER DRAWING		SCALE: 1:1	SHEET: 2 OF 2 REV: H										