

Professional Video Wall Mount with quick lock push system

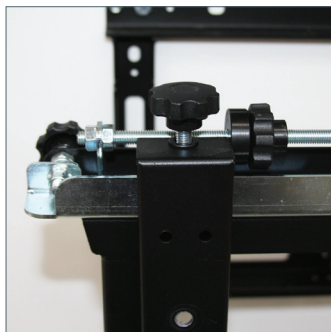
For more information please visit www.btechavmounts.com/BT8310

BT8310

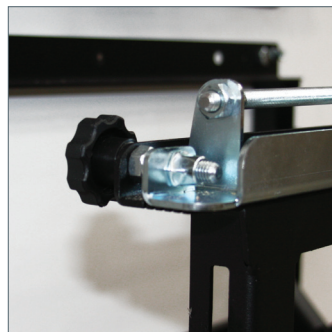
PRO INSTALL™



Example 3x3 Landscape



Tool-less micro-adjustments at 8 points
seamlessly align the displays



Screen position control on all 4 corners

BT8310

Professional Video Wall Mount with quick lock push system

Dramatically reduce installation times by eliminating the need for measuring and complicated calculations with the use of screen specific spacers and 8 point micro-adjustments for perfectly aligned mounts every time.

- Designed for large video wall screens up to 50kg (110lbs)
- Modular mount for unlimited wall display configurations
- Fits screens with VESA® mounting patterns from 200 x 200mm up to 400 x 400mm*
- VESA® adapter kit available for mounting patterns from 600 x 400mm up to 800 x 400mm
- Screen model-specific wall plate spacers are available and dramatically shorten install times by eliminating guesswork and on-site installation calculations
- Suitable for landscape or portrait screen mounting
- Tool-less micro-adjustments at 8 points for seamless display alignment
- Displays click securely into place against the wall with spring-loaded mechanism
- Push to open / push to close system provides quick and easy service access
- Integrated cable management
- Security screws to avoid accidental release of the screen
- Available in Black



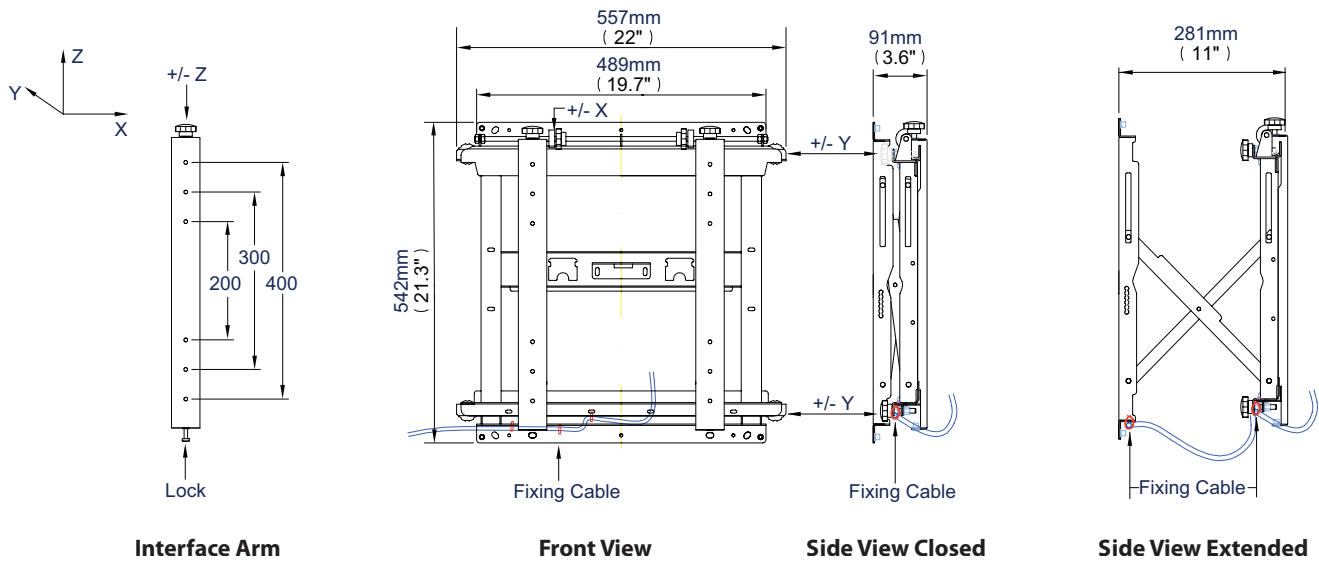
When used with
BT8310-AD64/B Adaptor

When used with
BT8310-AD86/B Adaptor

Professional Video Wall Mount with quick lock push system

For more information please visit www.btechavmounts.com/BT8310

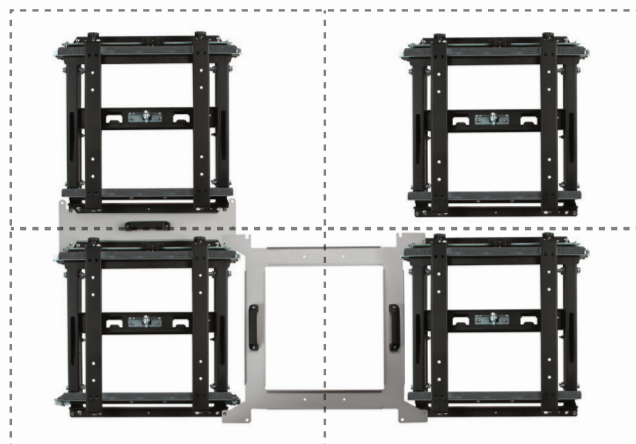
BT8310



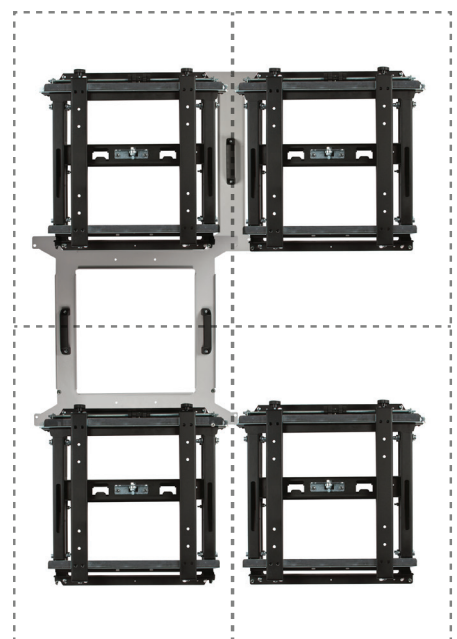
Custom Wall Plate Spacers

Wall plate spacers are available for the BT8310 and eliminate tedious alignment calculations, meaning less time is wasted through measuring and 'guesswork'. These spacers are available to order separately and are screen specific for all popular brands such as LG, Samsung, Phillips, Sharp, NEC, Orion and Hantrex. To find out which spacer kit is needed for a specific screen please visit www.btechavmounts.com/BT8310 or scan here

Mounting with Templates - Landscape



Mounting with Templates - Portrait



This information is intended as a guide only and reflects the current specification at the time of print. B-Tech accepts no liability for the accuracy of the information contained in this document.