



BT8310

PROFESSIONAL VIDEO WALL MOUNT

INSTALLATION GUIDE & PARTS LIST

This Pack Contains 1 Mount

PLEASE KEEP THIS PARTS LIST FOR FUTURE REFERENCE



FEATURES

- Designed for flat screens up to 50kg (110lbs)
- Modular mount for unlimited wall display configurations
- Fits screens with VESA mounting patterns from 200 x 200mm up to 400 x 400mm
- VESA adaptor kit available for mounting patterns from 600 x 400mm up to 800 x 400mm
- Suitable for landscape or portrait screen mounting
- Tool-less micro-adjustments with 8 knobs for seamless alignment of the wall display
- Push to open / push to close system provides quick and easy service access
- Integrated cable management
- Screen specific template kit available to order separately for quick and easy screen alignment



CONTENTS

Installation Safety Notes.....	2
Parts List.....	4
Interface Adaptors.....	5
Installation Instructions.....	6
Product Dimensions.....	11
B-Tech Contact Details.....	12

INSTALLATION TOOLS REQUIRED

Crosshead screwdriver



Drill



Drill bit



Pencil



Level



B-TECH AUDIO VIDEO MOUNTS

www.btechavmounts.com

INSTALLATION SAFETY INSTRUCTIONS



CAUTION: This wall mount is intended for use only with the maximum weights indicated. Use with flat screens heavier than the maximum indicated may result in instability causing possible injury.

Do not attempt to install this product until all instructions and warnings have been read and properly understood. Please keep these instructions for future reference.

B-Tech International Limited, its distributors and dealers are not liable or responsible for damage or injury caused by improper installation, improper use or failure to observe these safety instructions. In such cases, all guarantees will expire.

General

B-Tech International Ltd recommends that a professional AV installer or other suitably qualified person install this product. Great care must always be taken during installation as most AV equipment is of a fragile nature, possibly heavy and easily damaged if dropped.

If you do not fully understand the instructions or are not sure how to install this product safely, then please consult a professional for advice and/or to install this product for you. Failure to mount this product correctly may cause serious injury or death both during installation and at any time thereafter.

Do not mount any AV equipment that exceeds the specific weight limit of the product you are installing. This weight limit will be clearly stated on each product and its packaging and will vary from product to product.

Product location

Please pay careful attention to where this product is located. Some walls are not suitable for installation. If located in a public or frequently populated area ensure that the product is out of the immediate reach of people. If any AV equipment is to be suspended over the likely path or location of people then great care should be taken to secure all parts of the installation from falling.

If you install this product on drywall it must be securely fixed to a wooden stud, concrete block or other permanent structure behind the drywall board. Installing on drywall boards alone will not support the weight of most AV equipment.

When drilling holes in walls it is essential to avoid contact with electrical cables and water or gas pipes contained within. Use of a good quality live wire detector and hidden object locator is therefore recommended. Only drill into structures when you are sure it is safe to do so.

Fixing hardware

It is highly recommended that all wall fixing screws be used where supplied and that the purpose of all other fixing hardware is fully understood. In some cases more AV equipment fixing hardware will be supplied to accommodate different models of equipment and set up configurations.

The installer must be satisfied that any supplied fixing hardware is suitable for each specific installation. If any fixing screws or included hardware are deemed not sufficient for a safe installation then please consult a professional or your local hardware store.

Hazard limitation

When routing cables take advantage of any built in cable management features that the product might provide and ensure that all cables are tidy and secure. Check to see that any moving aspect of the product can do so unhindered by any cabling.

Some products have moving parts and the potential to cause injury through the crushing or trapping of fingers or other body parts.

Particular attention to the nature of moving parts is required especially when assembling installing and adjusting during set up.

Immediately after installations double-check that the work done is safe and secure. Double-check all necessary fixings are present and are of ample tightness.

It is recommended that periodic inspections of the product and its fixing points are made as frequently as possible to ensure that safety is maintained. If in doubt consult a professional AV installer or other suitably qualified person.

CS

Společnost B-Tech International Ltd. doporučuje provést instalaci tohoto produktu prostřednictvím odborného instalátora AV či jinak způsobilé osoby. Společnost B-Tech International Ltd, její distributoři a prodejci nenesou odpovědnost za škody nebo zranění způsobená nevhodnou instalací. Tento výrobek je nutno umístit do vhodné konstrukce a používat jen po uvedené maximální výšce.

DE

B-Tech International Ltd. empfiehlt, dass dieses Produkt durch einen qualifizierten AV-Techniker oder eine andere Person mit geeigneter Qualifikation installiert wird. B-Tech International Ltd, ihre Distributoren und Händler können nicht für durch fehlerhafte Montage verursachte Beschädigung oder Verletzung haftbar bzw. verantwortlich gemacht werden. Dieses Produkt muss auf einen geeigneten Untergrund montiert werden und darf nur bis zum angegebenen Höchstgewicht verwendet werden.

ES

B-Tech International Ltd. recomienda que un instalador de audio y video profesional u otra persona debidamente cualificada instalen este producto. B-Tech International Ltd, sus distribuidores y concesionarios no se hacen cargo ni se responsabilizan de ningún daño o lesión provocados por una instalación inapropiada. Este producto se debe montar en una estructura adecuada y se debe utilizar soportando solamente hasta el peso máximo indicado.

FR

B-Tech International Ltd. recommande de confier l'installation de ce produit à un installateur AV professionnel ou à une autre personne dûment qualifiée. B-Tech International Ltd, ses distributeurs et ses revendeurs ne sauraient être tenus responsables de tout dégât ou de toute blessure résultant d'une installation incorrecte. Ce produit doit être monté sur un support approprié et utilisé dans la limite du poids maximum indiqué.

IT

B-Tech International Ltd. consiglia di affidare l'installazione di questo prodotto a un installatore specializzato o ad altra persona adeguatamente qualificata. B-Tech International Ltd, i suoi distributori e rivenditori non accettano alcuna responsabilità nei riguardi di eventuali danni o infortuni causati da un'errata installazione. Questo prodotto deve essere fissato a una struttura idonea e utilizzato unicamente sino al peso massimo indicato.

NL

B-Tech International Ltd. adviseert om dit product te laten installeren door een professionele AV-installateur of andere hiervoor gekwalificeerde persoon. B-Tech International Ltd, haar distributeurs en dealers zijn niet aansprakelijk of verantwoordelijk voor schade of letsel die is veroorzaakt door onoordeelkundige installatie. Dit product moet worden gemonteerd aan een geschikte constructie, waarbij het aangegeven maximum gewicht niet mag worden overschreden.

PL

Firma B-Tech International Ltd. zaleca, aby ten produkt był instalowany przez profesjonalnych instalatorów AV lub inny odpowiednio przeszkolony personel. Firma B-Tech International Ltd, jej dystrybutorzy i dealerzy nie ponoszą odpowiedzialności za uszkodzenia lub obrażenia ciała powstałe w wyniku nieprawidłowej instalacji. Niniejszy produkt musi być zamontowany na odpowiedniej powierzchni, a podczas użytkowania nie wolno przekraczać podanego maksymalnego obciążenia.

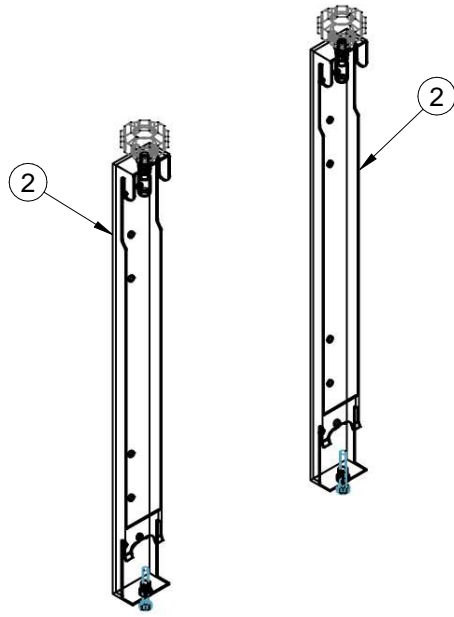
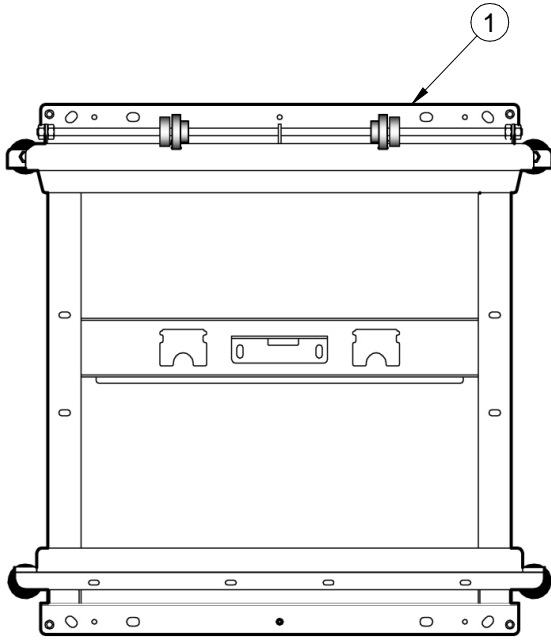
PT

A B-Tech International Ltd. recomenda que a instalação deste produto seja efectuada por um instalador de AV profissional ou outra pessoa devidamente habilitada. A B-Tech International Ltd. e os seus distribuidores e concessionários não são responsáveis por danos ou lesões causados por uma instalação incorrecta. Este produto tem de ser montado numa estrutura adequada e utilizado somente até ao peso máximo indicado.

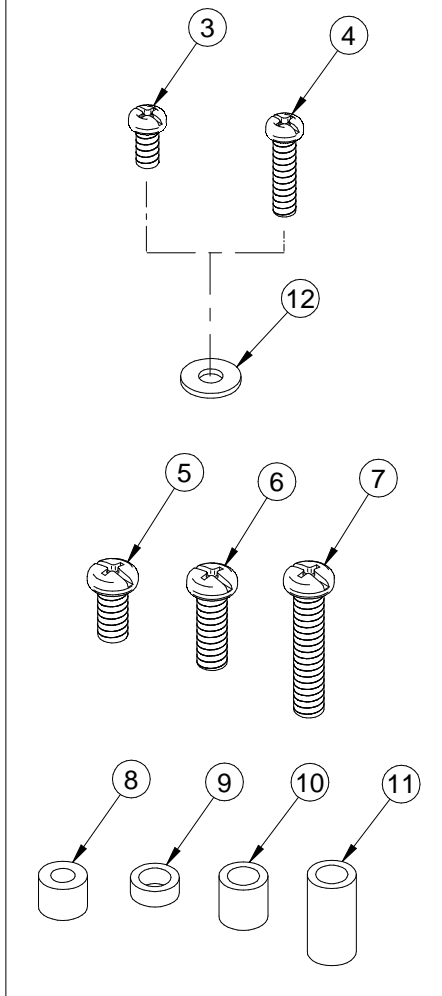
RU

Компания B-Tech International Ltd. рекомендует, чтобы установка данного изделия производилась инженером по установке аудио-видеотехники или другим специалистом с соответствующей квалификацией. Компания B-Tech International Ltd., ее дистрибьюторы и дилеры не несут ответственности за повреждения или травмы, полученные в результате неправильной установки. Данное изделие должно крепиться к соответствующей конструкции и использоваться для поддержания оборудования, вес которого не превышает указанный максимальный вес.

BT8310 PARTS LIST



FLAT SCREEN INTERFACE KIT (FOR ATTACHING MOUNT TO BACK OF FLAT SCREEN)



REF	PART NAME	QTY
1	WALL MOUNT	1
2	INTERFACE ARM	2
INTERFACE KIT		
3	M6 x 16mm SCREW	4
4	M6 x 25mm SCREW	4
5	M8 x 16mm SCREW	4
6	M8 x 25mm SCREW	4
7	M8 x 40mm SCREW	4
8	M6 SPACER (FOR PART 4)	4
9	M8 SPACER (FOR PART 6)	4
10	M8 SPACER (FOR PART 7)	4
11	M6 WASHER (FOR PARTS 3 & 4)	4

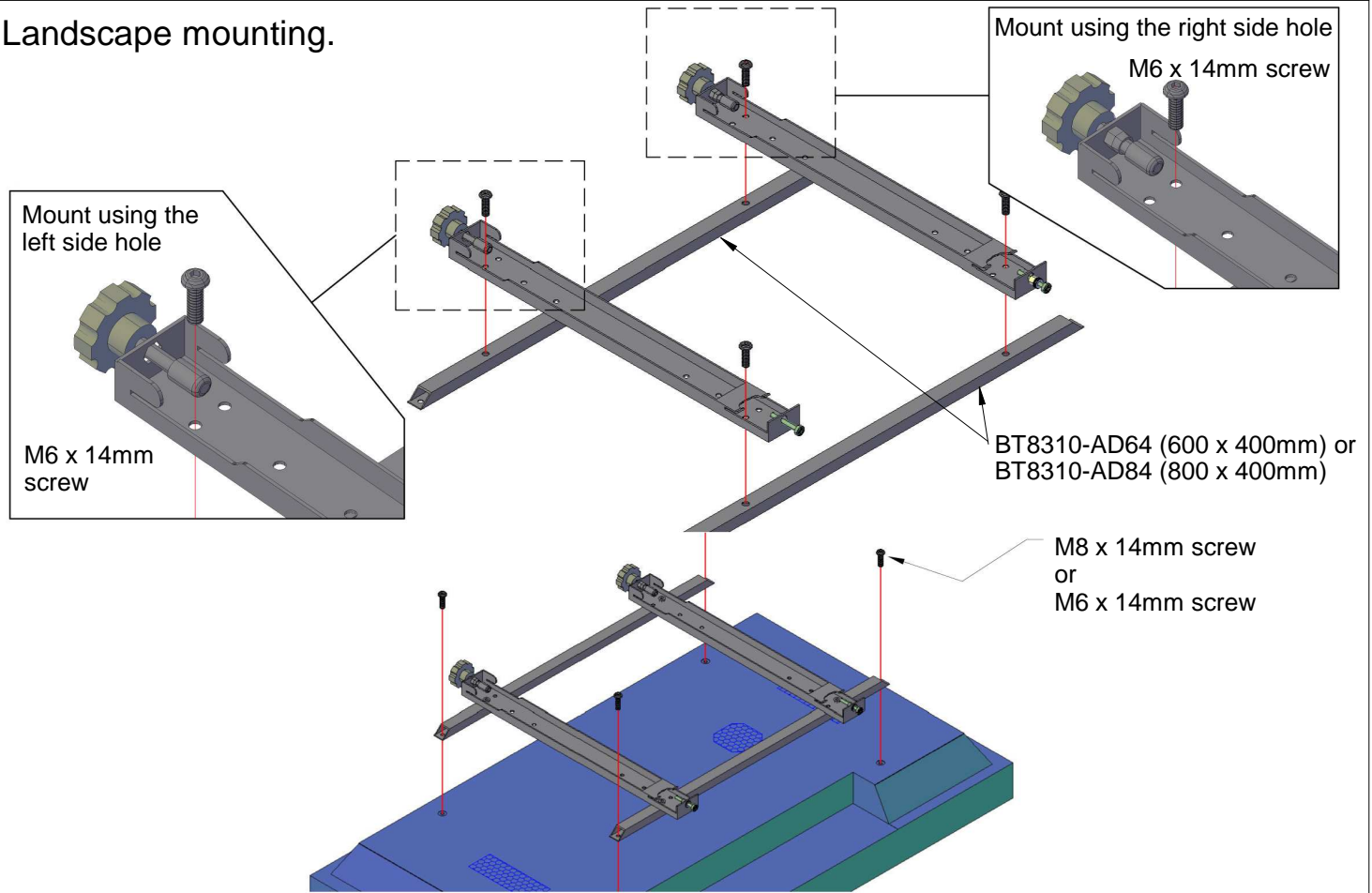
Suitable for loads up to
50kg (110lbs)

INTERFACE ADAPTORS

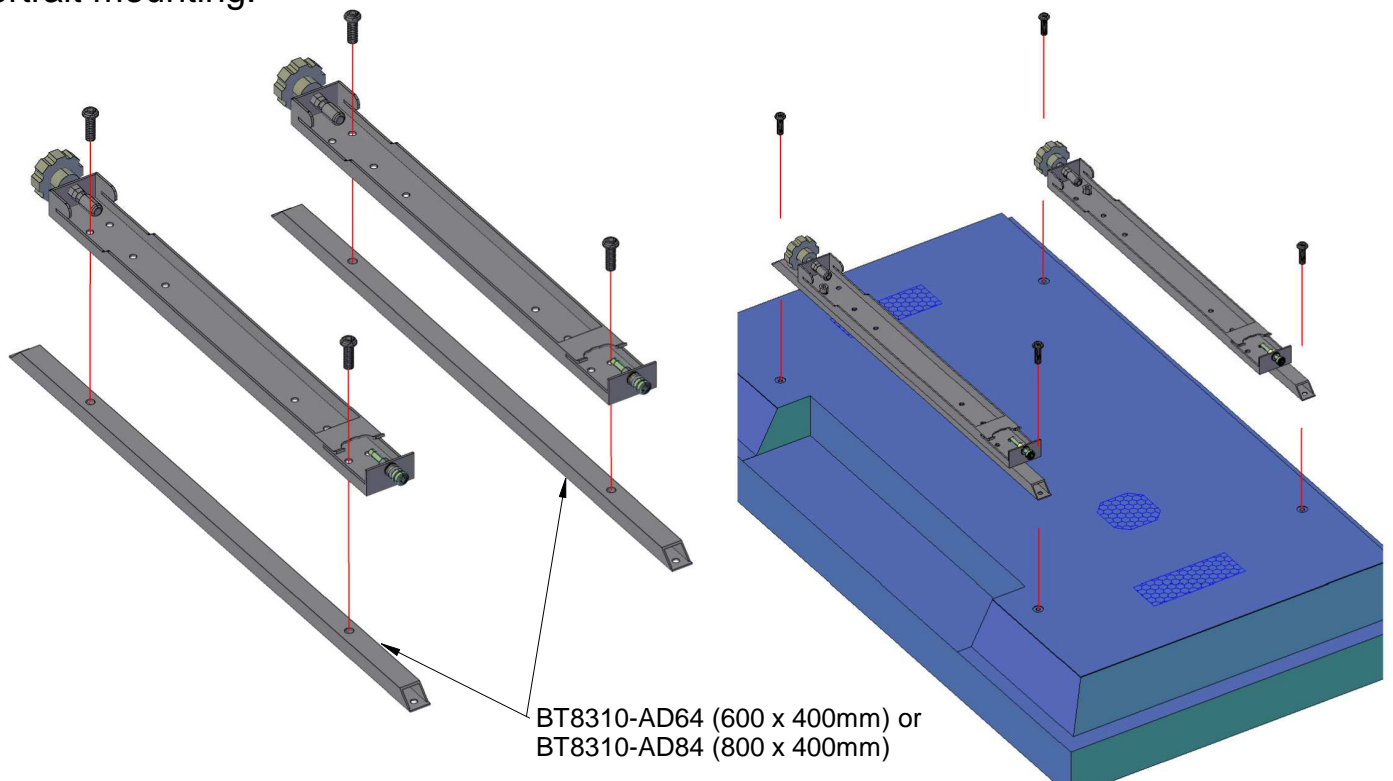
VESA 600 x 400MM AND 800 x 400MM

To be able to mount flat screens with VESA 600 x 400mm or 800 x 400mm fixing patterns, use the BT8310-AD64 or BT8310-AD84 interface adaptor (not included).

Landscape mounting.

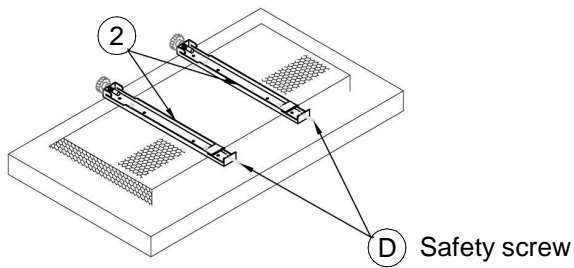


Portrait mounting.



INSTALLATION INSTRUCTIONS

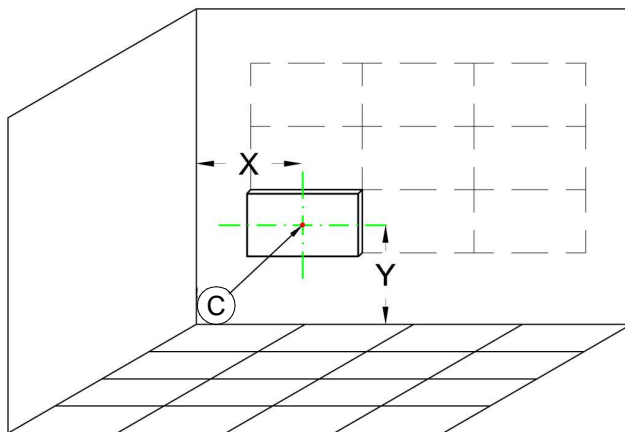
1. Attach the interface arms to the flat screen.



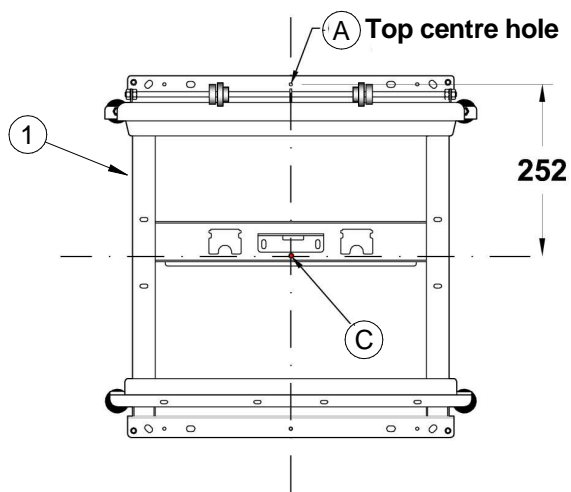
1.1 Fix the interface arms (part 2) to the back of the flat screen using parts 3-11.

1.2 Completely loosen the two safety screws (D).

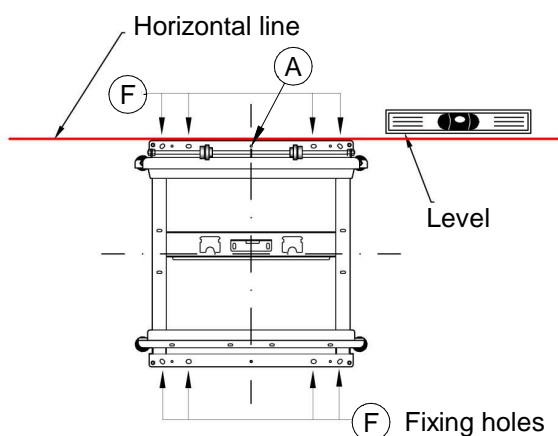
2. Install the first mount.



2.1 Determine the centre (C) of the first flat screen at the bottom left.



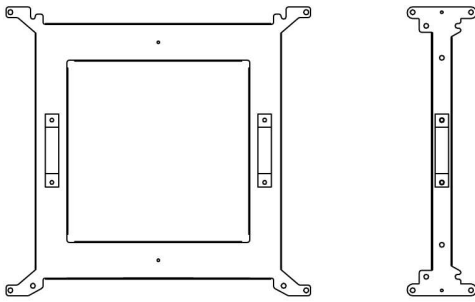
2.2 Mark 252mm up from (C) to mark the top centre hole (A).



2.3 Fix the wall mount to the wall (use the horizontal line as a guide) and use holes (F) with suitable wall fixings (not supplied).

3. Mounting Spacer Kits.

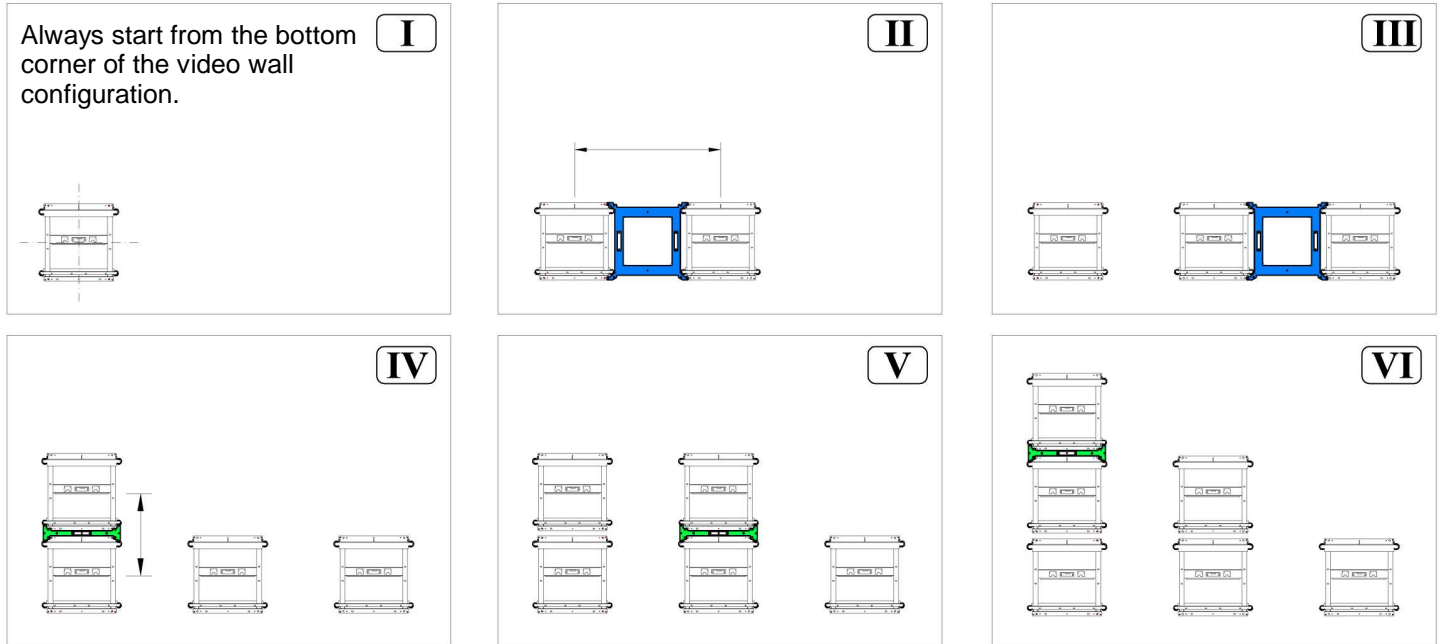
For quick and easy installation of the video wall mounts, it is advised that a mounting spacer kit is used (not included). A different kit is required for each different flat screen model.



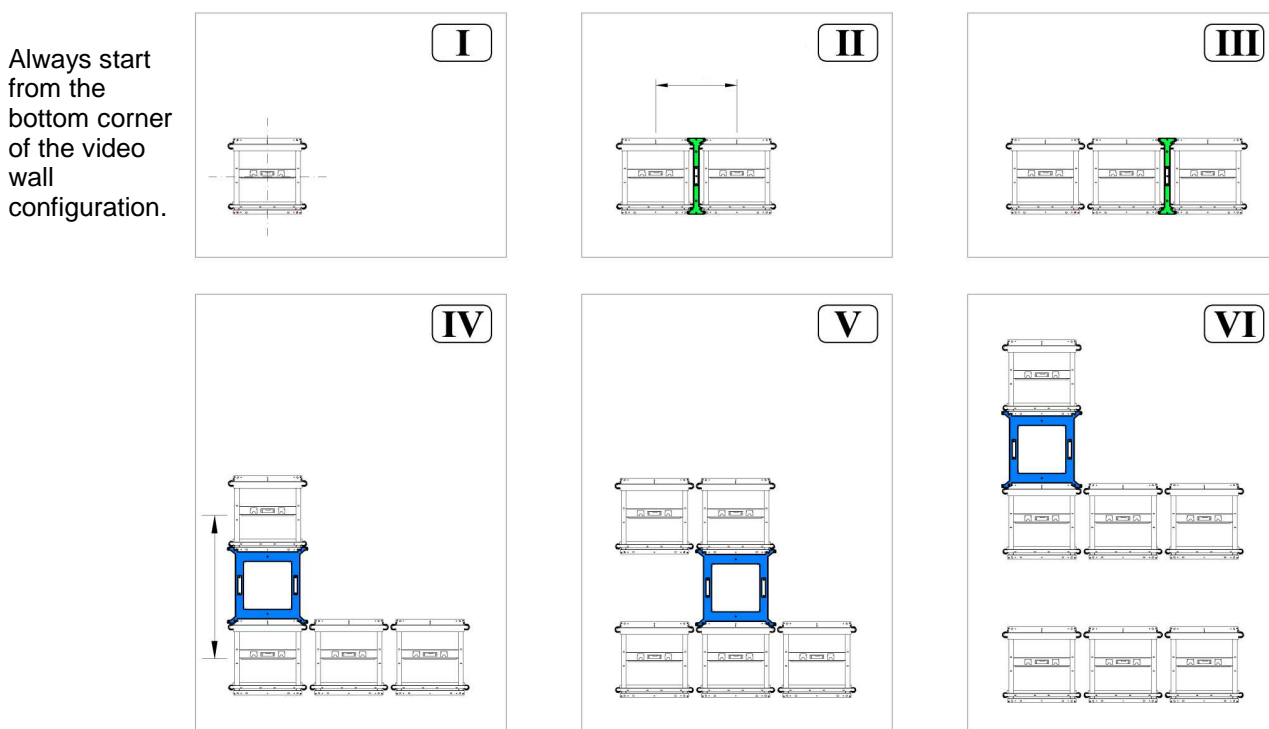
Screen Dimensions	Screen Size	Spacer
1026mm x 580mm	46"	BT8310-SP461/N
1030mm x 585mm	46"	BT8310-SP462/N
1047mm x 592mm	47"	BT8310-SP471/N
1080mm x 625mm	47"	BT8310-SP472/N
1215mm x 686mm	55"	BT8310-SP551/N
1222mm x 693mm	55"	BT8310-SP552/N
1336mm x 755mm	60"	BT8310-SP601/N

For current spacer listings and compatible flat screen models, please visit www.btechavmounts.com/BT8310

Example of landscape flat screen mounting with spacers.

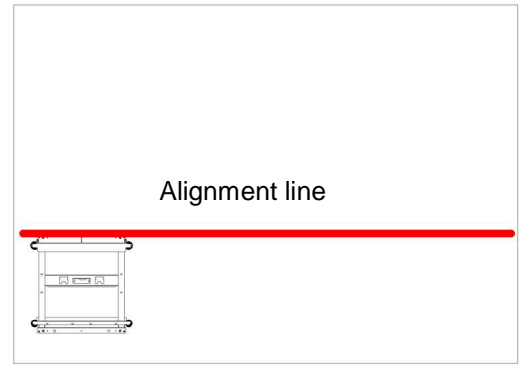


Example of portrait flat screen mounting with spacers.



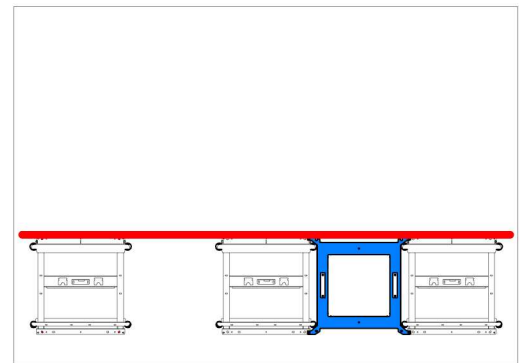
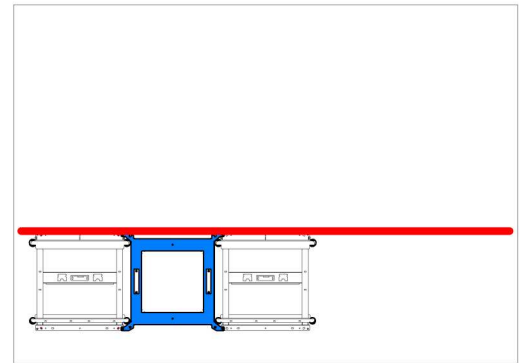
4. Installation and alignment of the additional mounts.

4.1 Once the first wall mount has been installed, draw a horizontal alignment line or use a laser level to get the alignment line as shown.



4.2 Using the large spacer, place the second wall mount as shown whilst being careful to keep on the alignment line.

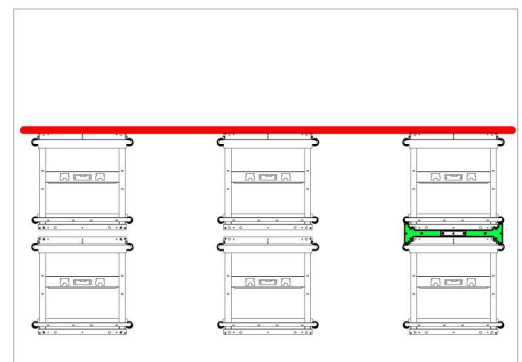
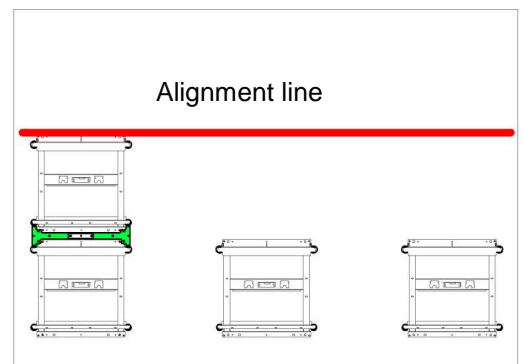
Repeat this step to mount the additional wall mounts on this row.



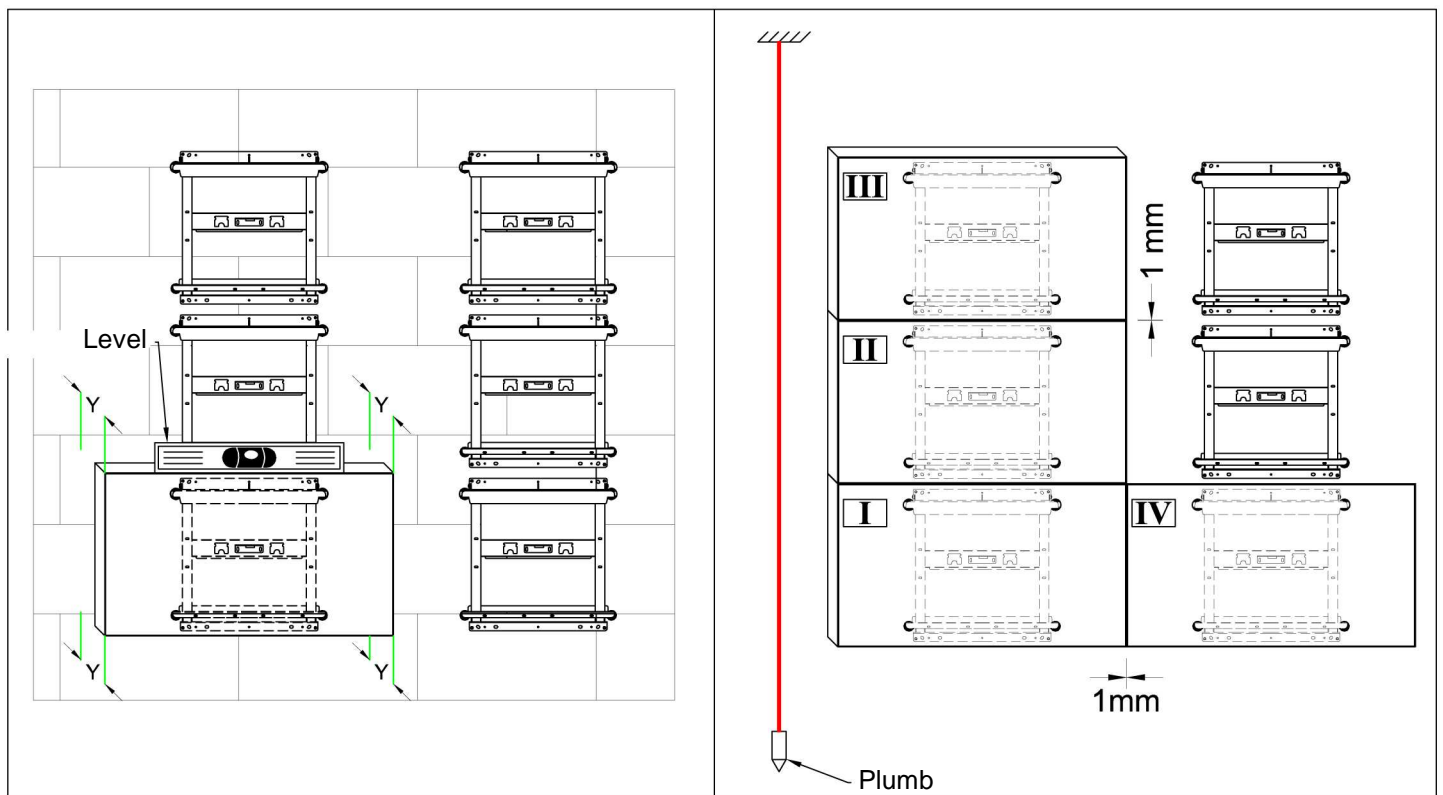
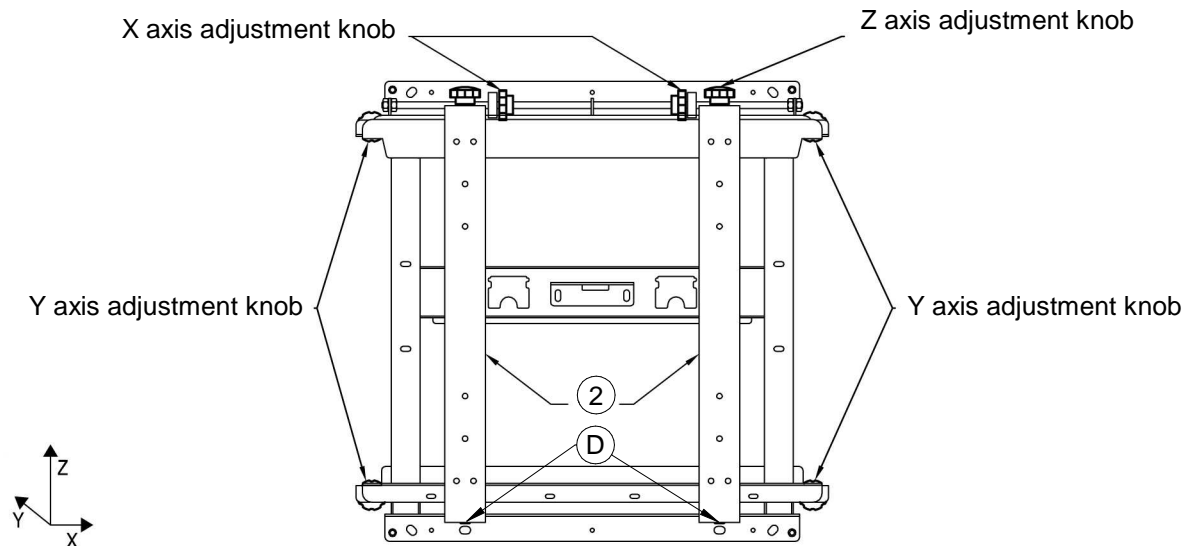
4.3 Using the small spacer, place the first wall mount of the next row.

Draw another horizontal alignment line or use a laser level to get the alignment line as shown.

Mount the additional wall mounts.



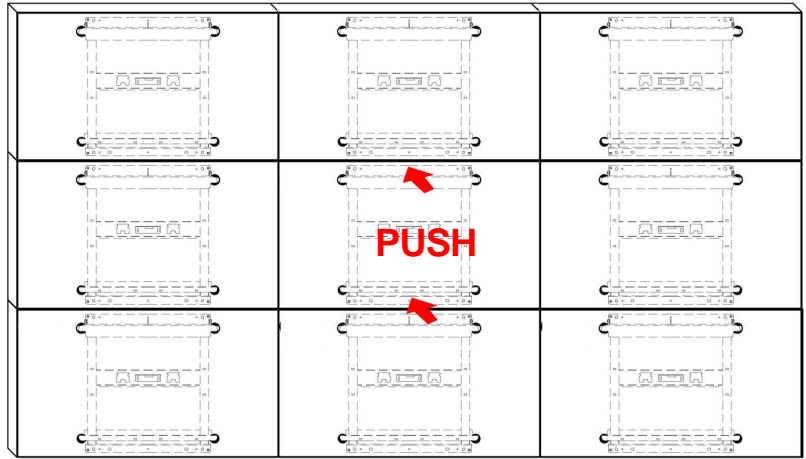
5. Flat screen alignment.



- 5.1 Hook the first flat screen onto the bottom left wall plate first. Keep the x axis knobs between the middle of the two interface arms (part 2).
- 5.2 Check the horizontal centre of the flat screen is aligned with the horizontal centre of the wall mount.
- 5.3 Using a level, align the flat screen parallel to the floor using the Z axis adjustment knobs.
- 5.4 Use the Y axis knob to ensure that each corner of the flat screen is equidistant from the wall.
- 5.5 Use a plumb to align the first column of flat screens and leave at least a 1mm gap between them.
- 5.6 Hook on the remaining flat screens leaving at least 1mm gap between them.
- 5.7 When the monitors are all positioned correctly, tighten the safety screws (D) which were previously loosened.

6. Servicing the flat screen.

6.1 To service the flat screen, push the screen and the mount will release and move out from the wall. Be careful not to damage the screen when pushing. Keep hold of the screen as it moves outwards.



Push central at the top and bottom of the screen on the bezel.

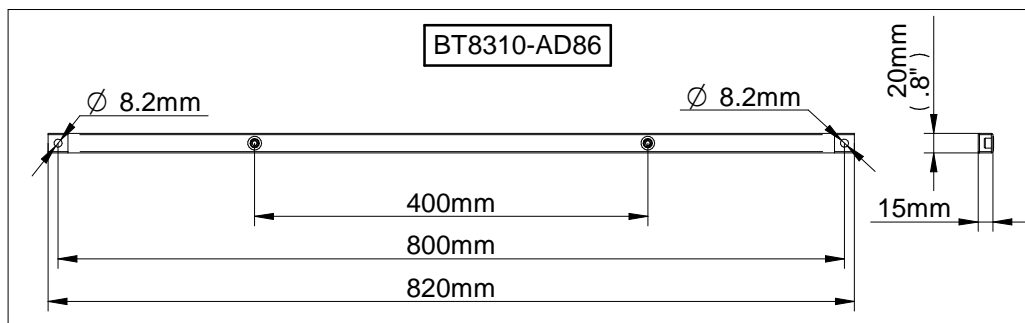
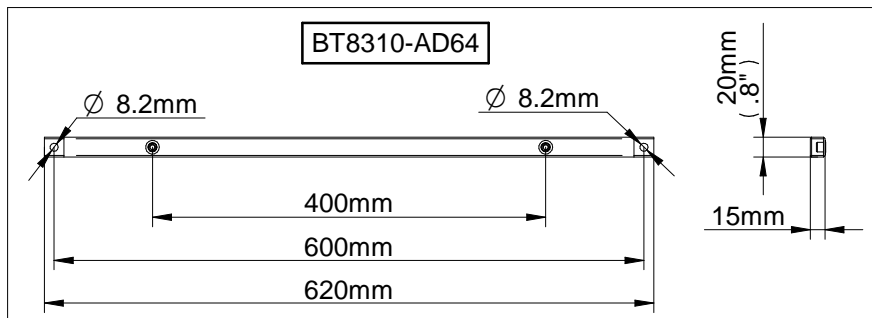
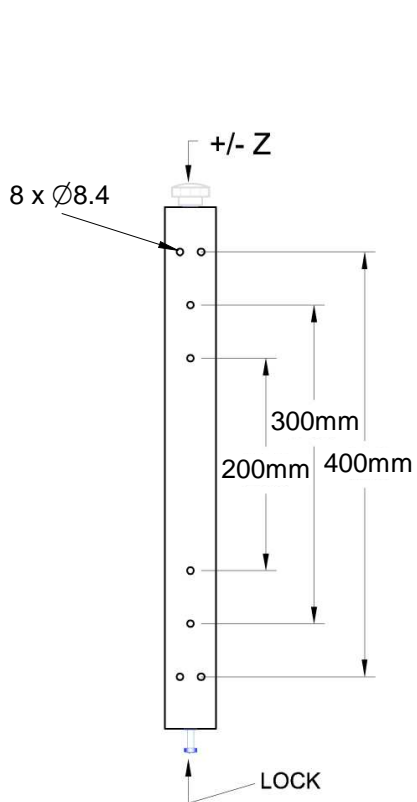
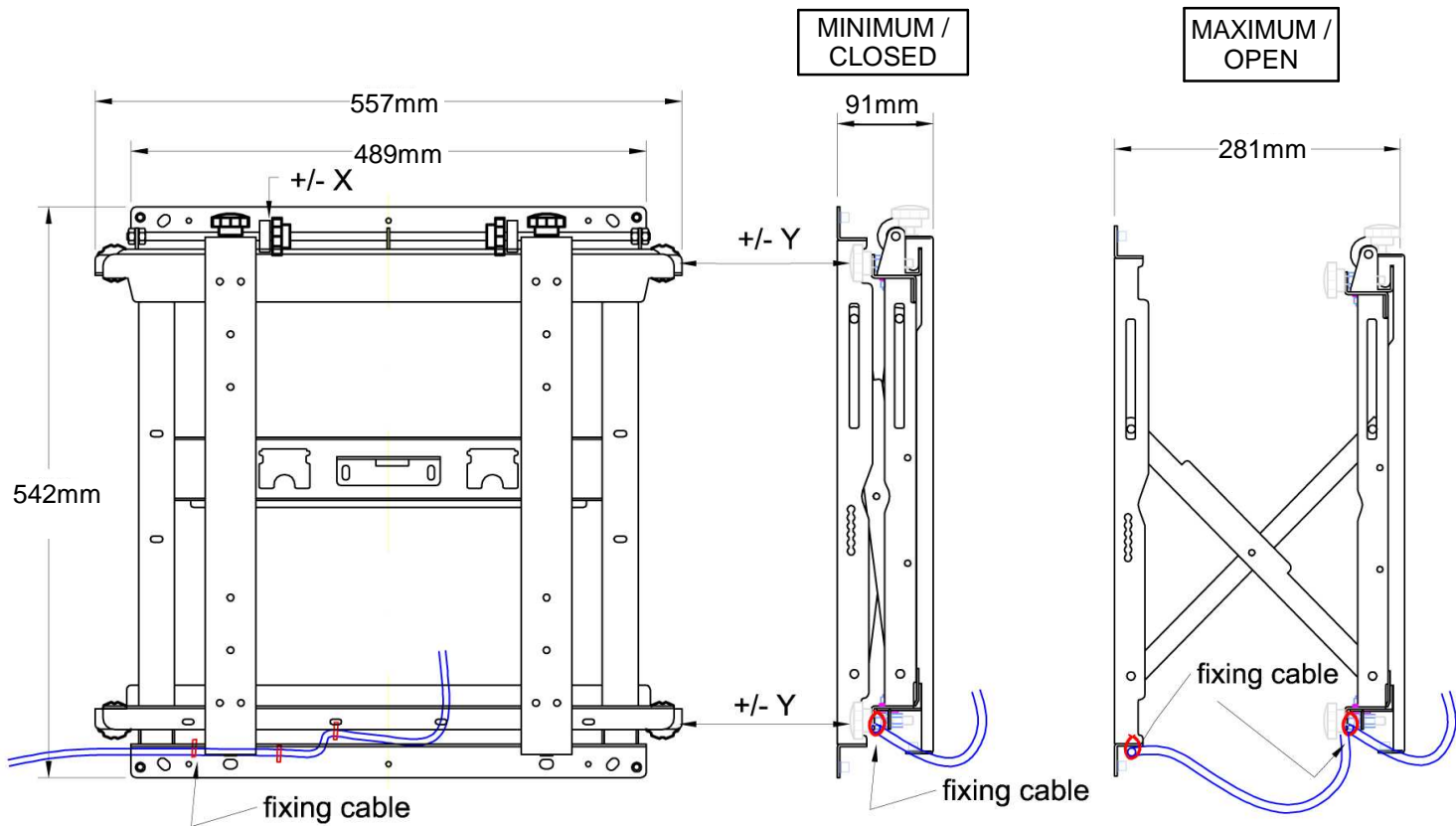
6.2 Screen shown in the service position.



6.3 When servicing is complete, push the screen back and click into place.



BT8310 PRODUCT DIMENSIONS



WARNING
 FIX / TIE THE CABLES TO
 PREVENT POSSIBLE DAMAGE



www.btechavmounts.com

B-TECH AUDIO VIDEO MOUNTS

HEAD OFFICE

Bennett House, Long March, Daventry, Northants., NN11 4NR, UK
Email: info@btechavmounts.co.uk

EUROPE

BELGIUM

Brixtonlaan 32, Zaventem 1930,
Brussels, Belgium
Email: info@btechproav.com

GERMANY

Dyrotzer Weg 26A, 14612 Falkensee,
Berlin, Germany
Email: info@btechdeutschland.de

NORTH AMERICA

203 Eggert Road,
Buffalo, NY 14215, USA
Email: info@btechavmounts.com

SINGAPORE

Ruby Industrial Complex,
Singapore 347740
Email: info@btechavmounts.com.sg

ASIA PACIFIC

1109 Prosperity Millennia Plaza,
Quarry Bay, Hong Kong
Email: info@btechavmounts.com.hk

©2012 B-Tech International Limited. All rights reserved.
B-Tech Audio Video Mounts is a division of B-Tech International Limited.
B-Tech, Better By Design and Mountlogic are registered trademarks of B-Tech International Limited.
All other brands and product names are trademarks of their respective owners.
Photographs are for illustrative purposes only. E&OE.