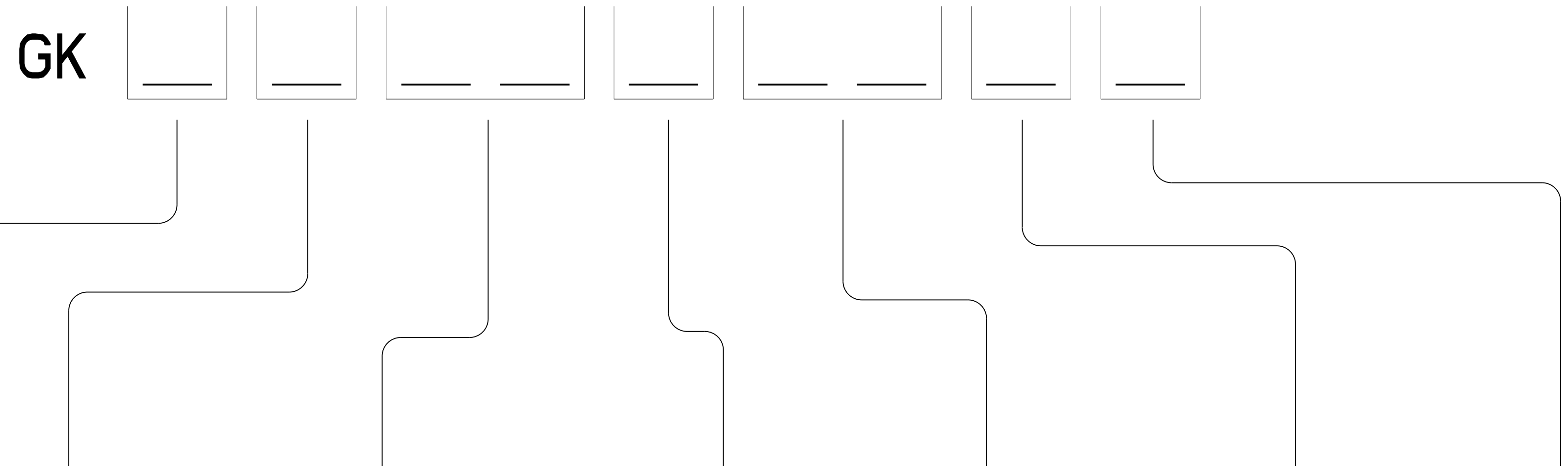


DUAL ENTRY SOLENOID KEY OPERATED SAFETY INTERLOCK NOMENCLATURE



BODY / INDICATOR		CONDUIT / SEAL		△ BASIC 11		HEAD		KEY		TYPE / OVER-RIDE		SOLENOID VOLTAGE	
L	HEAD TO LEFT - WITH INDICATORS	A	1/2 NPT - VITON SEALS	2	2 SNAP ACTION DPDT	L	OPENING TO FRONT AND TOP	6	STRAIGHT	A	SOLENOID UNLOCK WITH SCREWDRIVER	1	12 VDC
R	HEAD TO RIGHT - WITH INDICATORS	B	PG 13.5 - VITON SEALS	3	2 SLOW ACTING SPDT BBM	M	OPENING TO RIGHT AND TOP	7	90 DEGREE		SLOT OVER-RIDE	2	24 VDC
F	HEAD TO LEFT - WITHOUT INDICATORS	C	20 MM - VITON SEALS	6	SLOW ACTING 2 NC	N	OPENING TO BACK AND TOP	8	UP - DOWN, SPRING LOADED	B	SOLENOID UNLOCK WITHOUT OVER-RIDE	3	48 VDC
G	HEAD TO RIGHT - WITHOUT INDICATORS	D	PF 1/2 - VITON SEALS	10	SLOW ACTING 4 NC	P	OPENING TO LEFT AND TOP	9	SIDE - SIDE, SPRING LOADED	S	SOLENOID LOCK WITH SCREWDRIVER	4	120 VAC
		E	1/2 NPT - BUNA-N SEALS	12	SLOW ACTING 2 NC - 1 NO BBM			X	NO KEY	T	SOLENOID LOCK WITHOUT OVER-RIDE	6	240 VAC
		F	PG 13.5 - BUNA-N SEALS	14	SLOW ACTING 2 NC - 2 NO BBM								
		G	20 MM - BUNA-N SEALS	15	SLOW ACTING 2 NC - 2 NO BBM - GOLD								
		H	PF 1/2 - BUNA-N SEALS	16	SLOW ACTING 3 NC - 1 NO BBM								
				30	2 SLOW ACTING 4 NC - GOLD								
				32	2 SLOW ACTING 2 NC - 1 NO BBM - GOLD								
				34	2 SLOW ACTING 2 NC - 2 NO BBM - GOLD								
				36	2 SLOW ACTING 3 NC - 1 NO BBM - GOLD								
				40	2 SLOW ACTING 4 NC								
				42	2 SLOW ACTING 2 NC - 1 NO BBM								
				44	2 SLOW ACTING 2 NC - 2 NO BBM								
				46	2 SLOW ACTING 3 NC - 1 NO BBM								

NOTES

- 1 - ZINC DIECAST BODY AND HEAD WITH STEEL COVER. BODY, HEAD AND COVER FINISHED WITH EPOXY PAINT
- 2 - PROVIDED WITH PLASTIC SNAP FIT COVER TO PLUG UNUSED KEY ENTRY WINDOW
- 3 - THE LEFT INDICATOR IS GREEN AND THE RIGHT INDICATOR IS RED. NOT PRESENT ON BODY/INDICATOR CODES F OR G
- 4 - MAXIMUM OPERATING FREQUENCY (Fmax) = 100 OPS/MIN
- 5 - INSERTION FORCE = 35 N
8 LB
EXTRACTION FORCE = 28 N
6 LB
MAXIMUM SOLENOID LOCKING FORCE = 1000 N
224 LB
- 6 - ROTATE 1/4 TURN CLOCKWISE TO UNLOCK DEVICES WITH HEAD TO LEFT, SOLENOID UNLOCK AND DEVICES WITH HEAD TO RIGHT, SOLENOID LOCK. ROTATE 1/4 TURN COUNTERCLOCKWISE TO UNLOCK DEVICES WITH HEAD TO LEFT, SOLENOID LOCK AND DEVICES WITH HEAD TO RIGHT, SOLENOID UNLOCK. NOT PRESENT ON TYPE/OVER-RIDE CODES B OR T
- 7 - SWITCH MUST OPERATE BEFORE REACHING MINIMUM INSERTION DISTANCE
- 8 - T-15 TAMPERPROOF TORX DRIVER BIT PROVIDED
- 9 - ELECTRICAL RATINGS ARE FOR BASIC SWITCHES
- 10 - MINIMUM SOLENOID VOLTAGE = 80% DC / 85% AC OF RATED VOLTAGE
MAXIMUM SOLENOID VOLTAGE = 110% OF RATED VOLTAGE
SOLENOID POWER = 12 WATTS NOMINAL
- 11 - SEE PAGES 10, 11, 12 AND 13 FOR CIRCUIT DIAGRAMS
- 12 - NO CHANGES CAN BE MADE TO THIS DRAWING WITHOUT JOINT FREEPORT / NEWHOUSE APPROVAL
- 13 - THE LEFT INDICATOR IS YELLOW AND THE RIGHT INDICATOR IS RED
- 14 - 10-PIN CONNECTOR, BRAD HARRISON PART NO.3R1006AZ1F010 OR EQUIVALENT
- 15 - 4-PIN CONNECTOR, WOODHEAD PART NO.80599-19 OR MOLEX PART NO.08631M21 OR EQUIVALENT
- 16 - 5-PIN CONNECTOR, BRAD HARRISON PART NO.41310 OR EQUIVALENT
- 17 - CONNECTOR INSTALLED IN BOTTOM CONDUIT HOLE
- 18 - CONNECTOR INSTALLED IN SIDE CONDUIT HOLE
- 19 - "S" MARK APPROVAL APPLICABLE ONLY FOR GKLE44XXXX,GKLE46XXXX,GKRE44XXXX AND GKRE46XXXX SERIES ONLY
- 20 -

ELECTRICAL RATING ⁹				ENVIRONMENTAL RATINGS		APPROVALS	
AC	DC			IP68 NEMA 1, 4, 6P, 12 & 13		 IEC 947-5-1 EN60947-5-1 	
A300	AC 15	Q300	DC 13	TEMP RANGE -25°C TO 40°C			
Ue	Ie	Ue	Ie	-13°F TO 104°F			
(VOLTS)	(AMPS)	(VOLTS)	(AMPS)	STORAGE -40°C TO 120°C			
120	6	24	2.9	-40°F TO 248°F			
240	3	125	.55	SHOCK: 50G PER IEC 68-2-27			
		250	.27	VIBRATION: 10G PER IEC 68-2-6			
Ith = 10 A							

PTC/CAD 3D
 DRAWN
 MAM 23SEP08
 CHECK
 SAV 11MAY09
 CHECK
 PERS 04FEB09
 CHECK
 52
 ISSUE
 DRAWING NUMBER
 M GK SERIES CHART 4
 PAGE 1 OF 16
 RELEASE NO. PR-23788
 REVISIONS
 1 (04/18)
 2 (04/18)
 3 (04/18)

THIS DRAWING COVERS A PROPRIETARY ITEM AND IS THE PROPERTY OF MICRO SWITCH, A DIVISION OF HONEYWELL. THIS DRAWING IS NOT TO BE COPIED OR USED WITHOUT THE APPROVAL OF MICRO SWITCH.

FED. MFG. CODE 91929

CATALOG LISTING

MICRO SWITCH
a Honeywell Division

SWITCH - DOOR INTERLOCK

GK SERIES CHART 4

DESIGN UNITS SI METRIC US CUSTOMARY

WEIGHT 1.5 kg / 3.3 LB

THIRD ANGLE PROJECTION

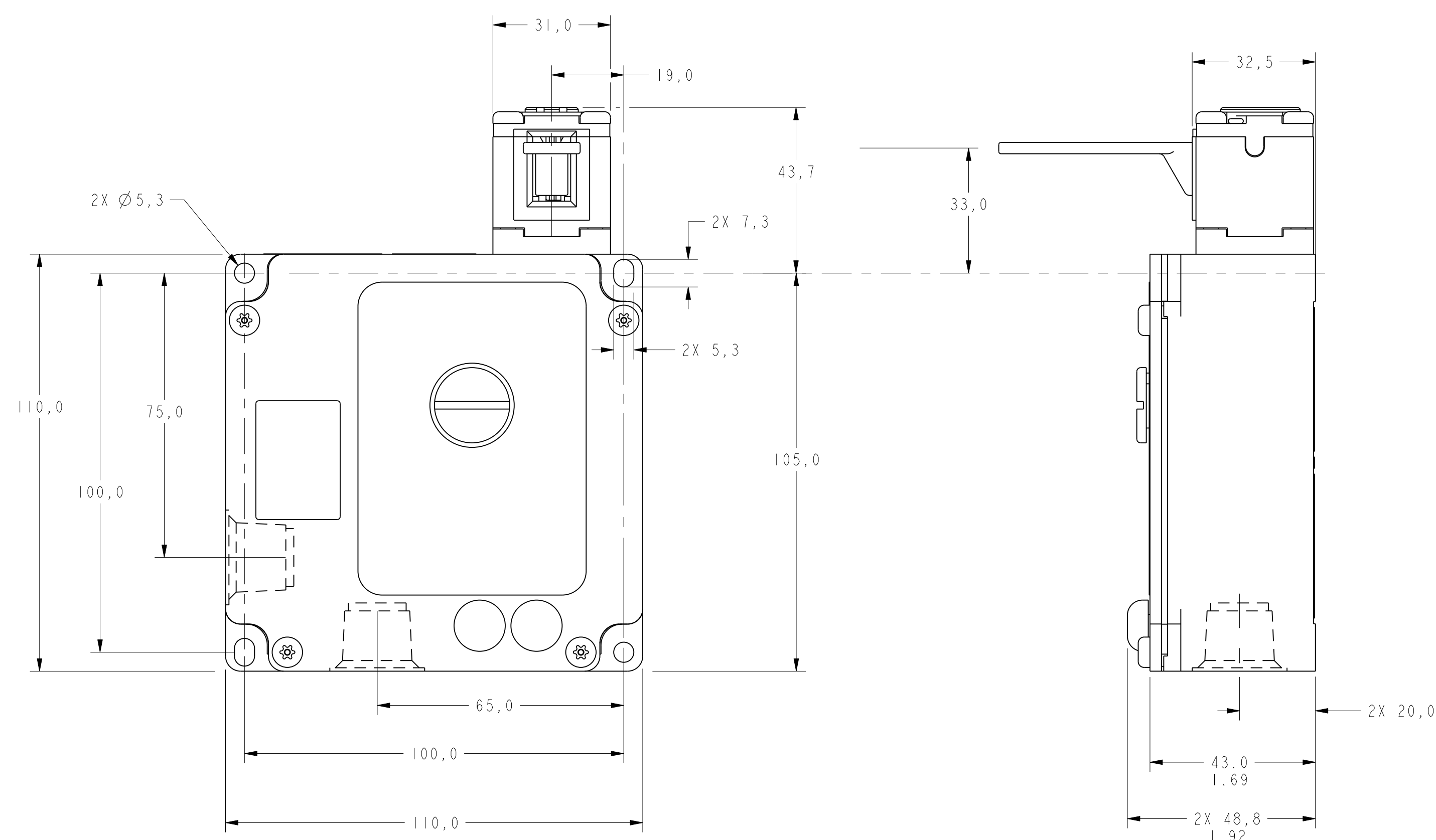
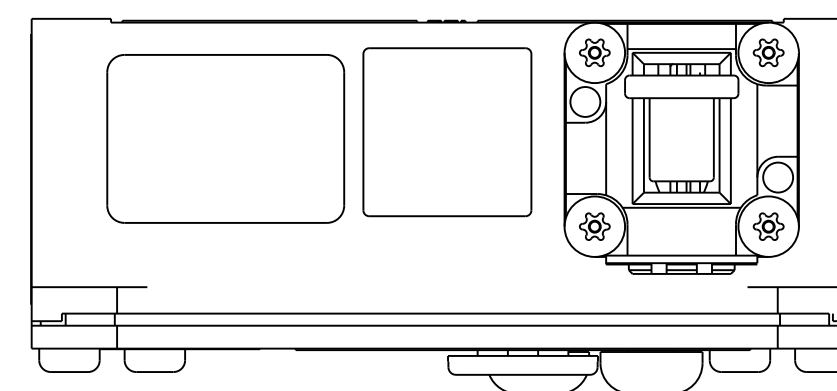
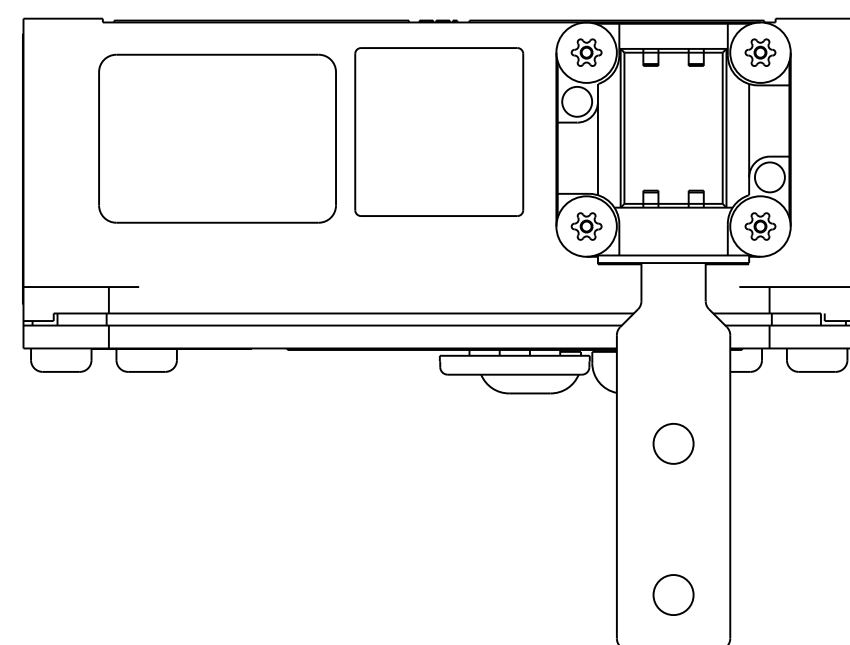
SCALE NTS

DO NOT SCALE PRINT

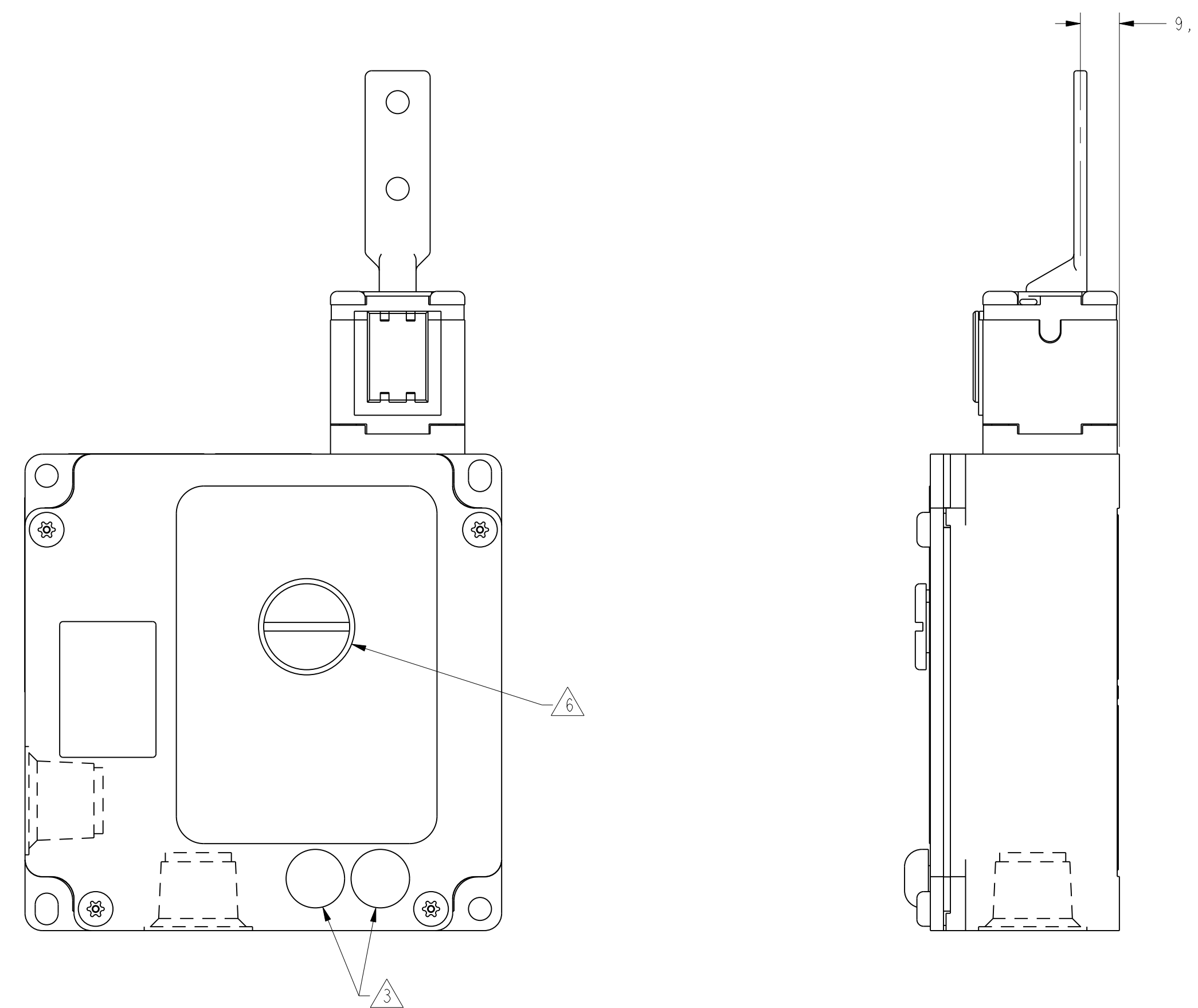
TOLERANCES

APPLY TO DESIGN UNITS. CONVERSIONS ARE ONLY FOR REFERENCE. UNLESS NOTED, TOLERANCES ARE:

NO PLACES	±.04	±.04	±.04	±.04
TWO PLACES	±.02	±.02	±.02	±.02
THREE PLACES	±.01	±.01	±.01	±.01
ANGLES	±.01	±.01	±.01	±.01



FRONT KEY ENTRY



TOP KEY ENTRY

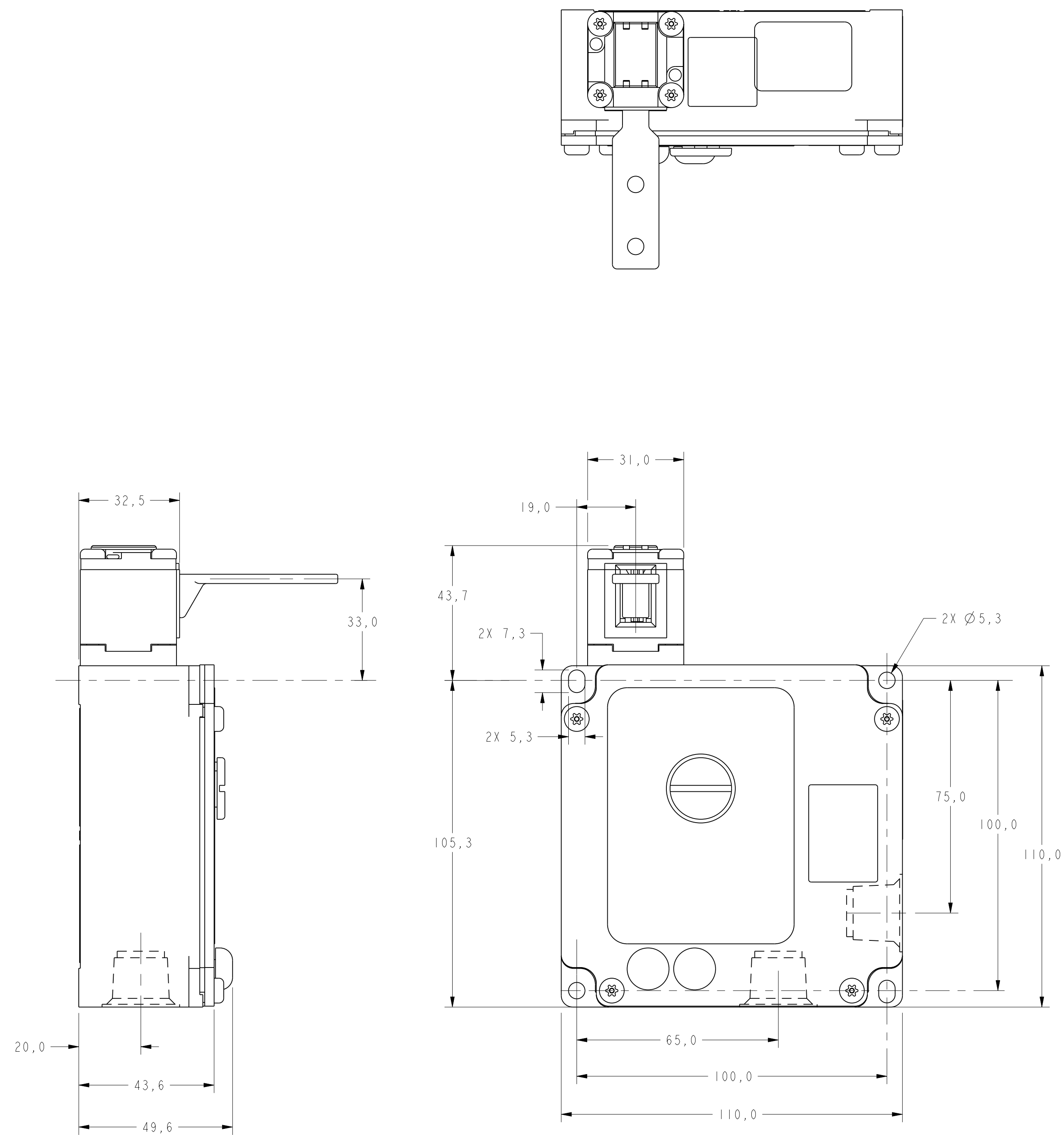
BODY / INDICATOR CODES R OR G

PTC/CAD 3D
 DRAWN MAM 29 SEP 98
 CHECKED SAV 11 MAY 99
 PERS 04 FEB 09
 52
 M GK SERIES CHART 4
 DRAWING NUMBER 2 OF 16
 RELEASE NO. PR-23788
 REVISIONS
 1 04/19/88
 2 05/11/88
 3 05/11/88

THIS DRAWING COVERS A PROPRIETARY ITEM AND IS THE PROPERTY OF MICRO SWITCH, A DIVISION OF HONEYWELL. THIS DRAWING IS NOT TO BE COPIED OR USED WITHOUT THE APPROVAL OF MICRO SWITCH. FED. MFG. CODE 91929		CATALOG LISTING SWITCH - DOOR INTERLOCK GK SERIES CHART 4	
MICRO SWITCH a Honeywell Division		DESIGN UNITS: SI METRIC [X] US CUSTOMARY [] WEIGHT 1.5 kg / 3.3 LB	
TOLERANCES APPLY TO DESIGN UNITS. CONVERSIONS ARE ONLY FOR REFERENCE, UNLESS NOTED. TOLERANCES ARE:		THIRD ANGLE PROJECTION SCALE 1:1 DO NOT SCALE PRINT	
NO PLACES	1X	±0.04	±0.0015
ONE PLACE	1X	±0.075	±0.003
TWO PLACES	1X	±0.15	±0.006
THREE PLACES	1X	±0.3	±0.012

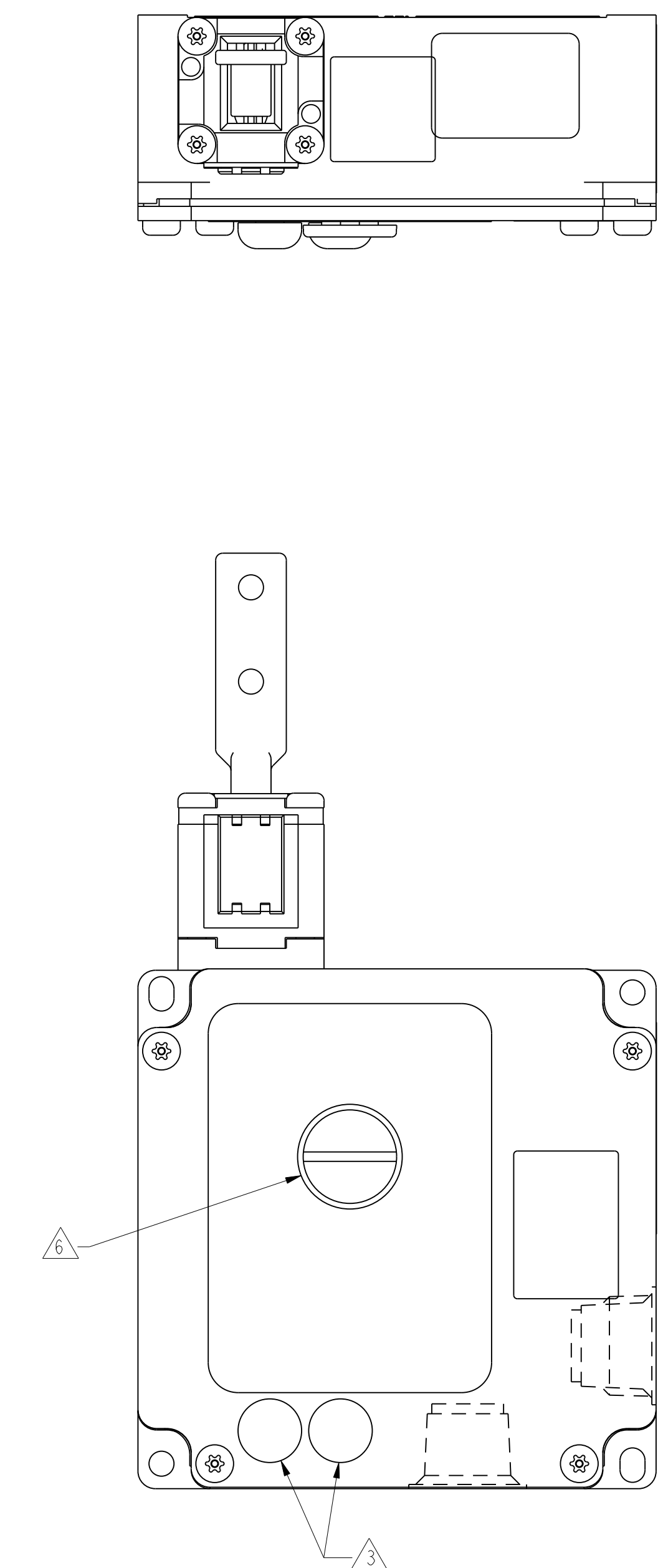
M GK SERIES CHART 4
 DRAWING NUMBER 3 OF 16
 RELEASE NO. PR-23758

PTC/CAD 3D
 DRAWN MAM
 CHECKED MAM
 DATE 29 SEP 08
 DATE 11 MAY 99
 DATE 04 FEB 09



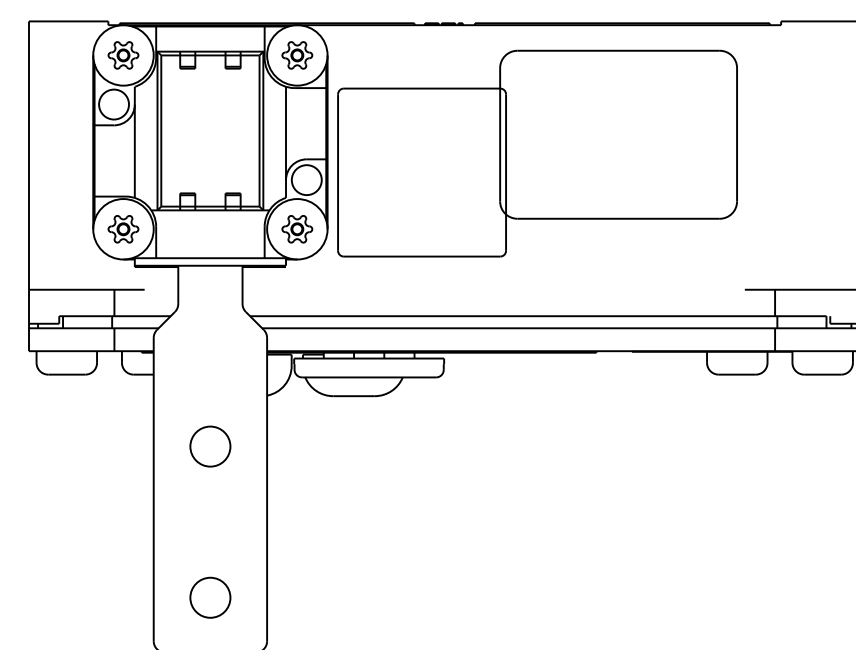
FRONT KEY ENTRY

BODY / INDICATOR CODES L OR F

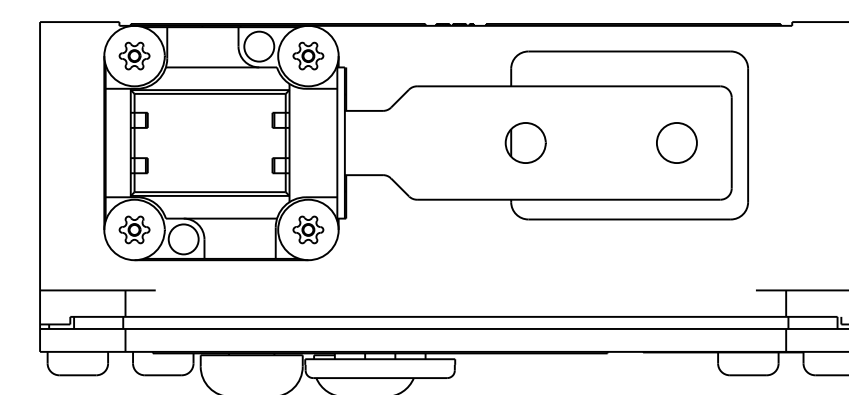


TOP KEY ENTRY

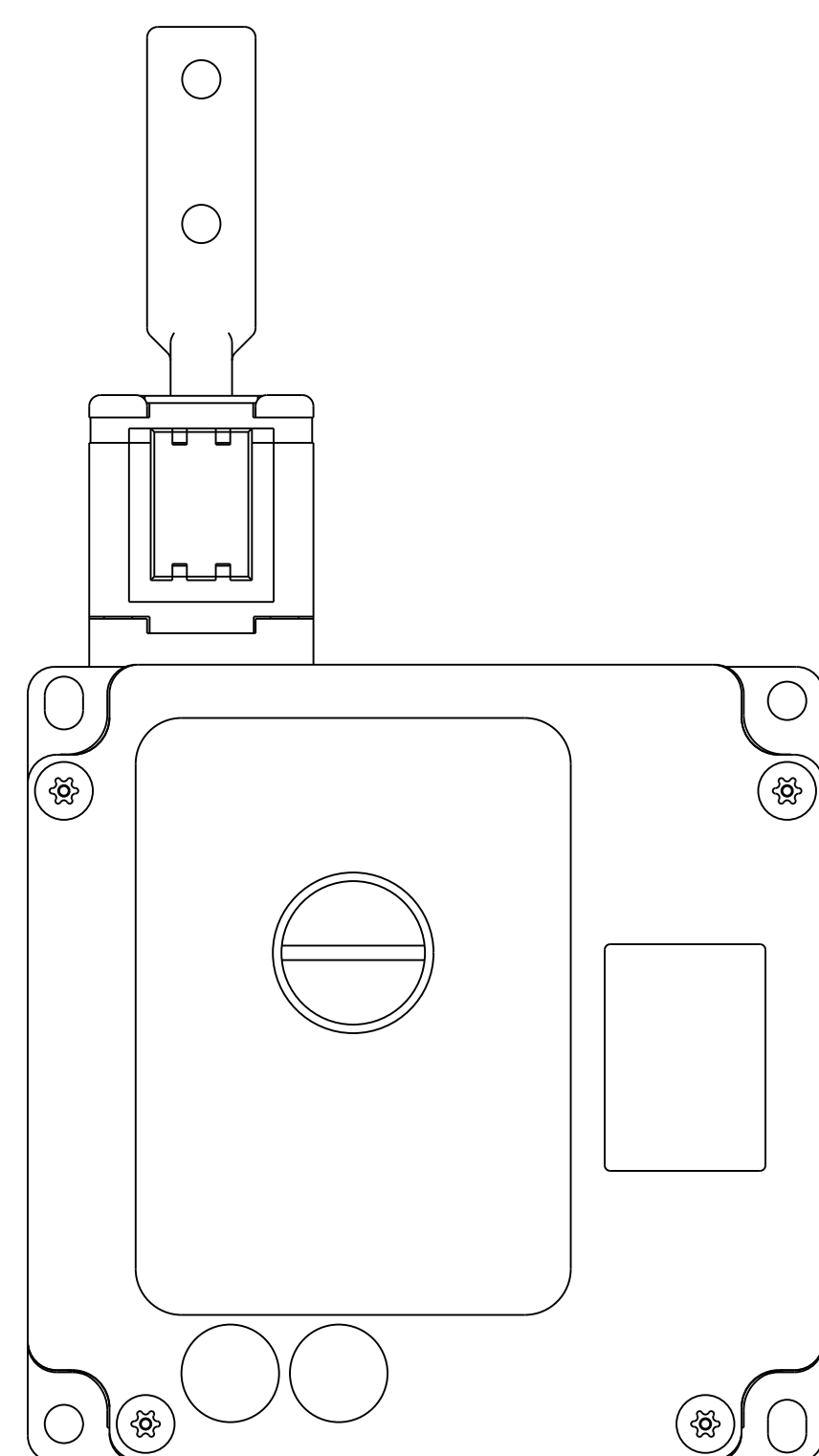
THIS DRAWING COVERS A PROPRIETARY ITEM AND IS THE PROPERTY OF MICRO SWITCH, A DIVISION OF HONEYWELL. THIS DRAWING IS NOT TO BE COPIED OR USED WITHOUT THE APPROVAL OF MICRO SWITCH. FED. MFG. CODE 91929		CATALOG LISTING	
MICRO SWITCH a Honeywell Division		SWITCH - DOOR INTERLOCKING	
DESIGN UNITS <input checked="" type="checkbox"/> SI METRIC <input type="checkbox"/> US CUSTOMARY		GK SERIES CHART 4	
WEIGHT 1,5 kg / 3.3 LB		TOLERANCES APPLY TO DESIGN UNITS. CONVERSIONS ARE ONLY FOR REFERENCE, UNLESS NOTED. TOLERANCES ARE:	
NO PLACES	±0.25	NO PLACES	±0.005
ONE PLACE	±0.125	TWO PLACES	±0.0025
TWO PLACES	±0.0625	THREE PLACES	±0.00125
THREE PLACES	±0.03125	FOUR PLACES	±0.000625



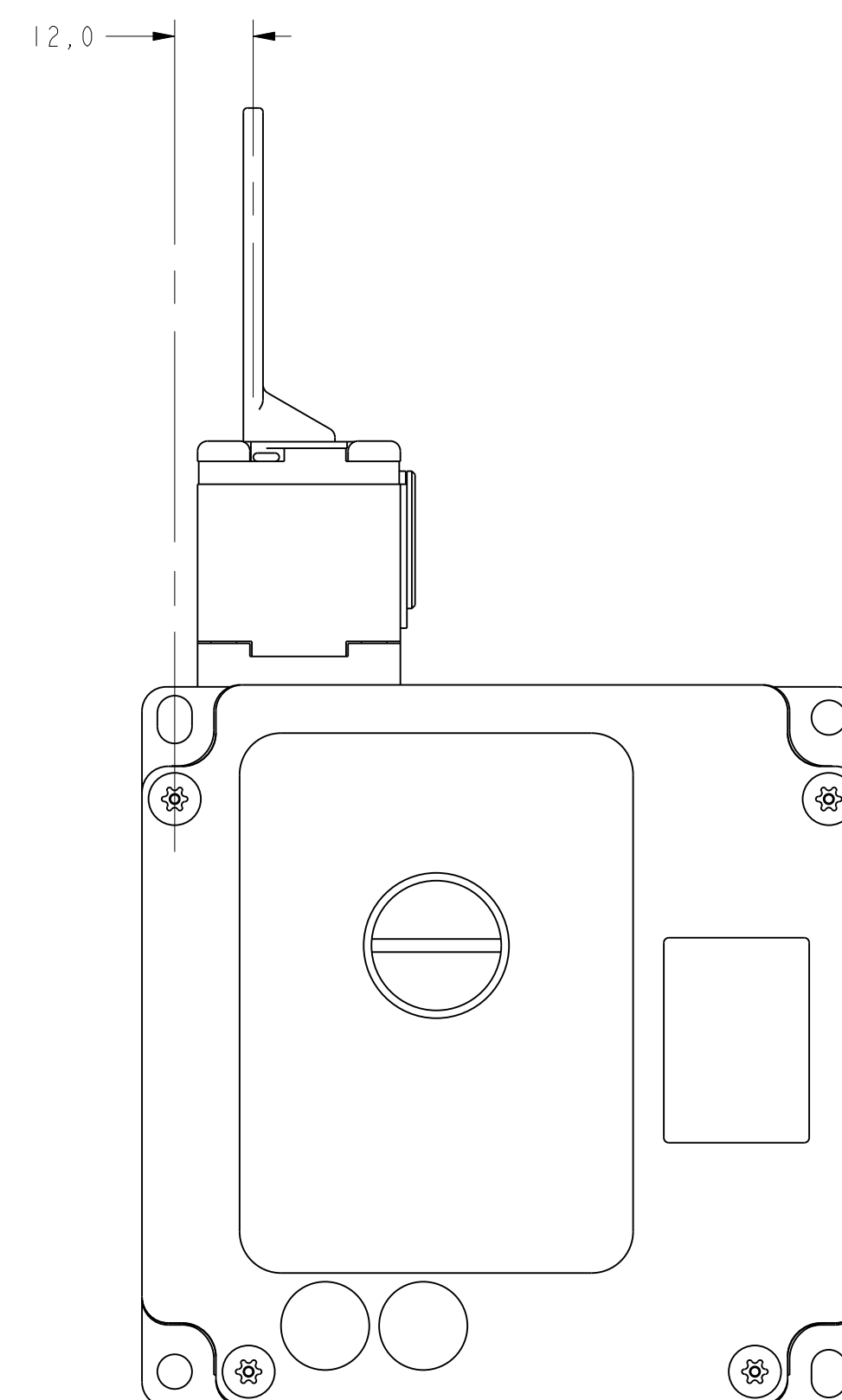
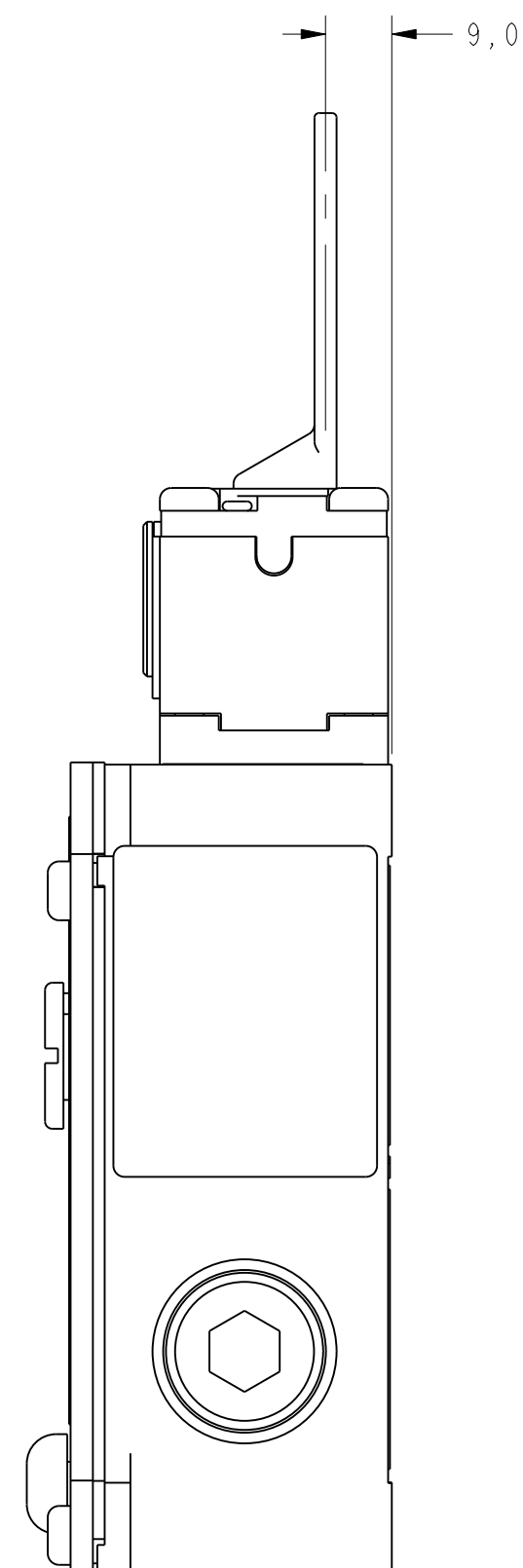
WITH KEY IN FRONT ENTRY POSITION



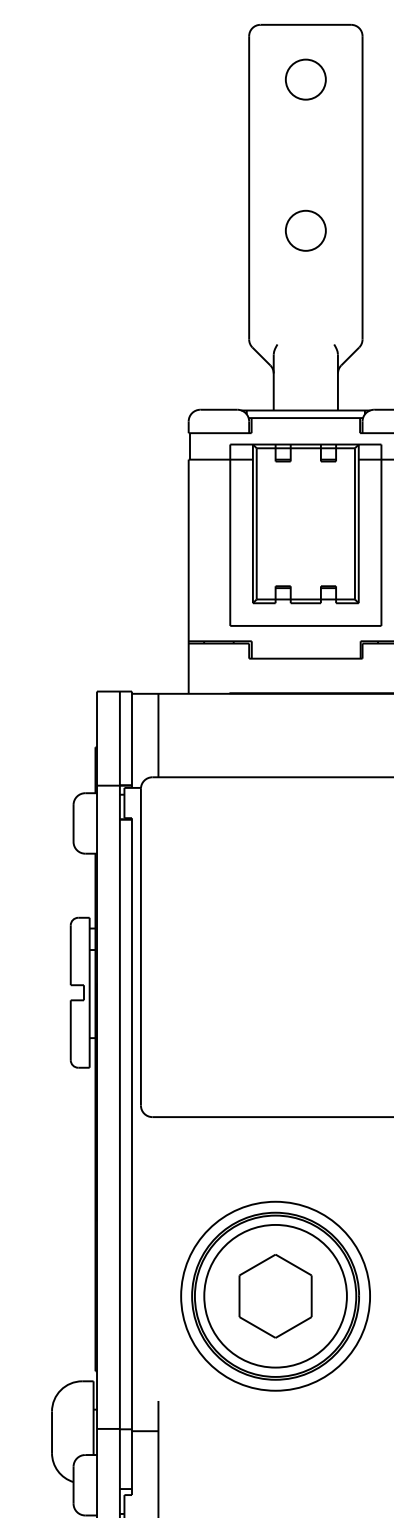
WITH KEY IN FRONT ENTRY POSITION



WITH KEY IN TOP ENTRY POSITION



WITH KEY IN TOP ENTRY POSITION

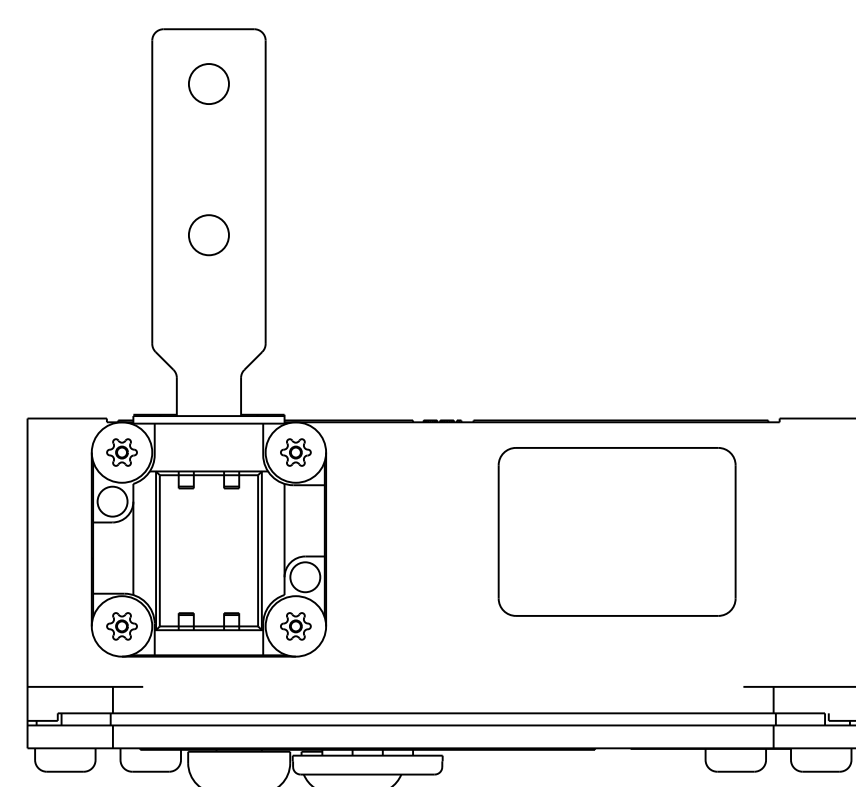


HEAD CODE M

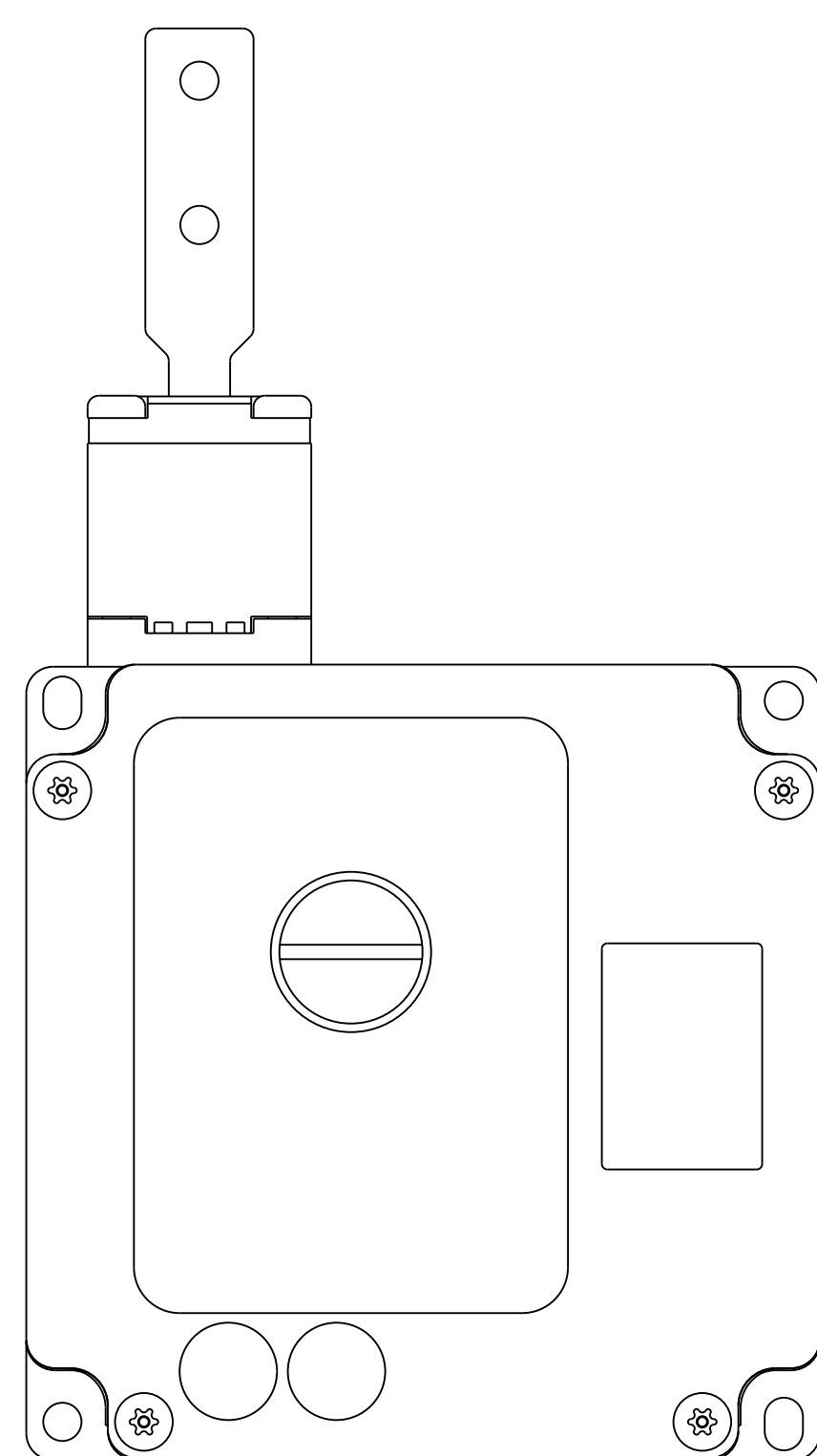
HEAD CODE L

PTC/CAD 3D
 DRAWN MAM 28SEP08
 CHECK SAV 12MAY09
 PRES 04FEB09
 RELEASE NO. PR-23758
 REVISIONS
 52
 M GK SERIES CHART 4
 DRAWING NUMBER 4 OF 16
 ISSUE

THIS DRAWING COVERS A PROPRIETARY ITEM AND IS THE PROPERTY OF MICRO SWITCH, A DIVISION OF HONEYWELL. THIS DRAWING IS NOT TO BE COPIED OR USED WITHOUT THE APPROVAL OF MICRO SWITCH. FED. MFG. CODE 91929		CATALOG LISTING MICRO SWITCH a Honeywell Division		SWITCH - DOOR INTERLOCK GK SERIES CHART 4	
TOLERANCES APPLY TO DESIGN UNITS. CONVERSIONS ARE ONLY FOR REFERENCE, UNLESS NOTED. TOLERANCES ARE:		DIM NO PLACES X .001 ONE PLACE X .01 TWO PLACES X .005 THREE PLACES X .0005 ANGLES	DIM NO PLACES X .001 ONE PLACE X .01 TWO PLACES X .005 THREE PLACES X .0005 ANGLES	DIM NO PLACES X .001 ONE PLACE X .01 TWO PLACES X .005 THREE PLACES X .0005 ANGLES	DIM NO PLACES X .001 ONE PLACE X .01 TWO PLACES X .005 THREE PLACES X .0005 ANGLES
DESIGN UNITS <input checked="" type="checkbox"/> SI METRIC <input type="checkbox"/> US CUSTOMARY		WEIGHT 1.5 kg / 3.3 LB			

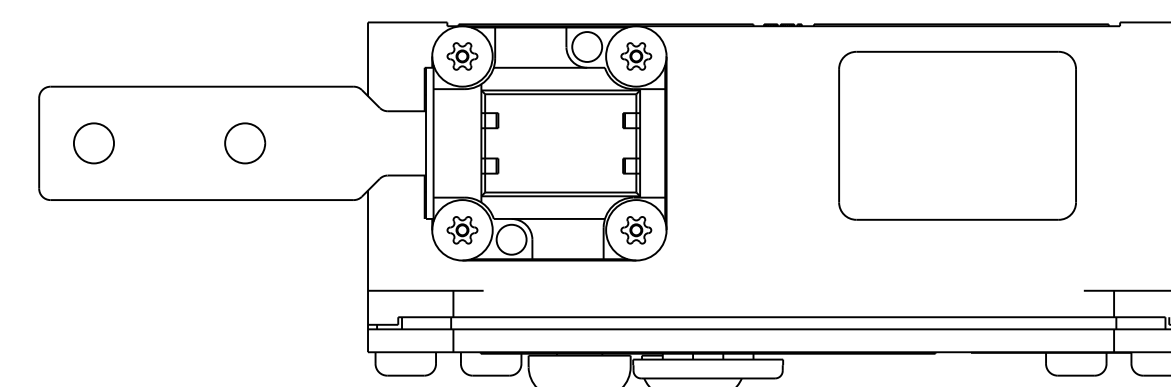
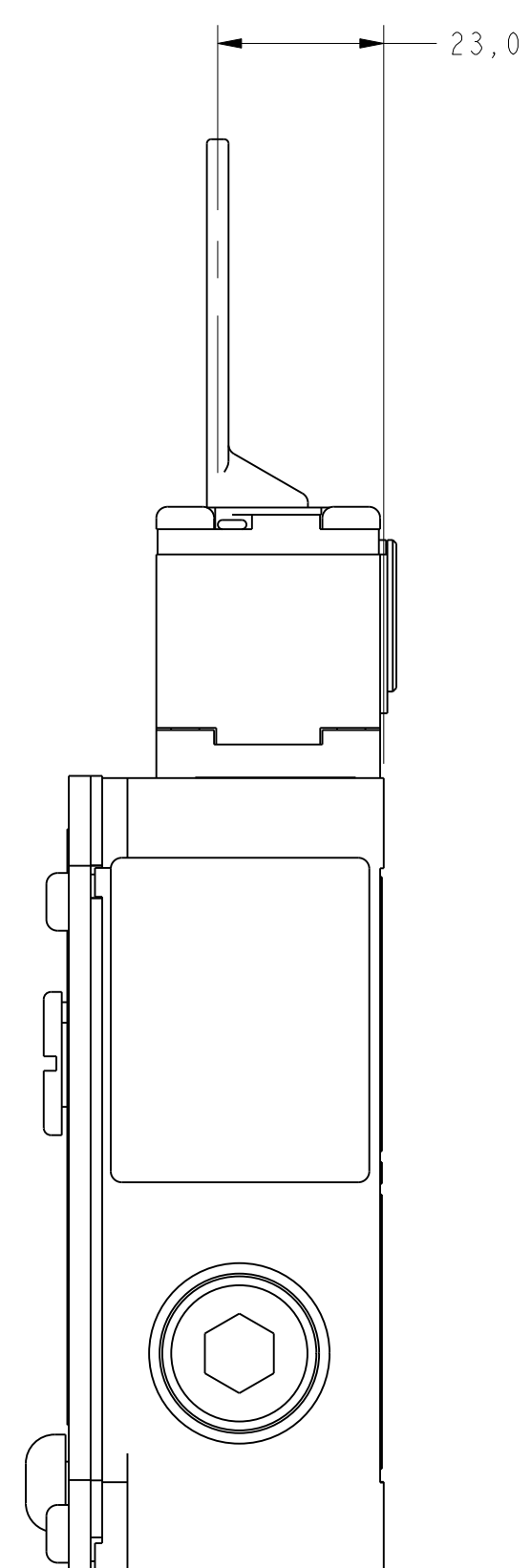


WITH KEY IN FRONT ENTRY POSITION

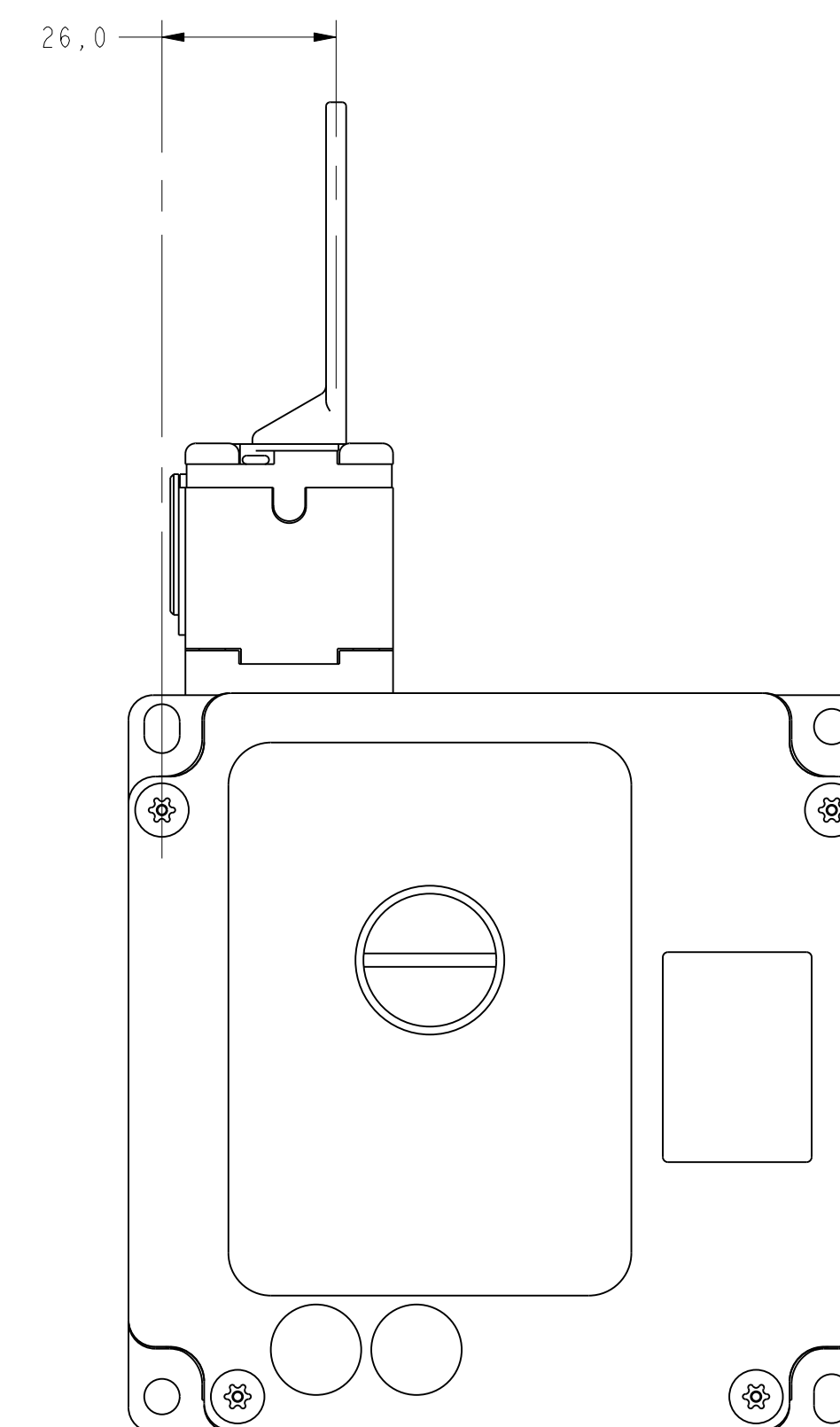


WITH KEY IN TOP ENTRY POSITION

HEAD CODE N

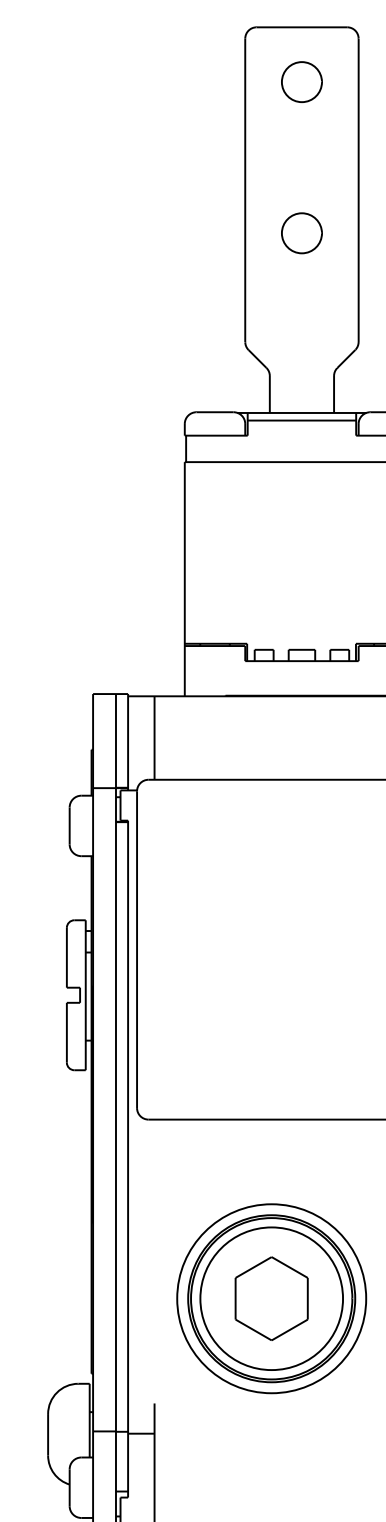


WITH KEY IN FRONT ENTRY POSITION



WITH KEY IN TOP ENTRY POSITION

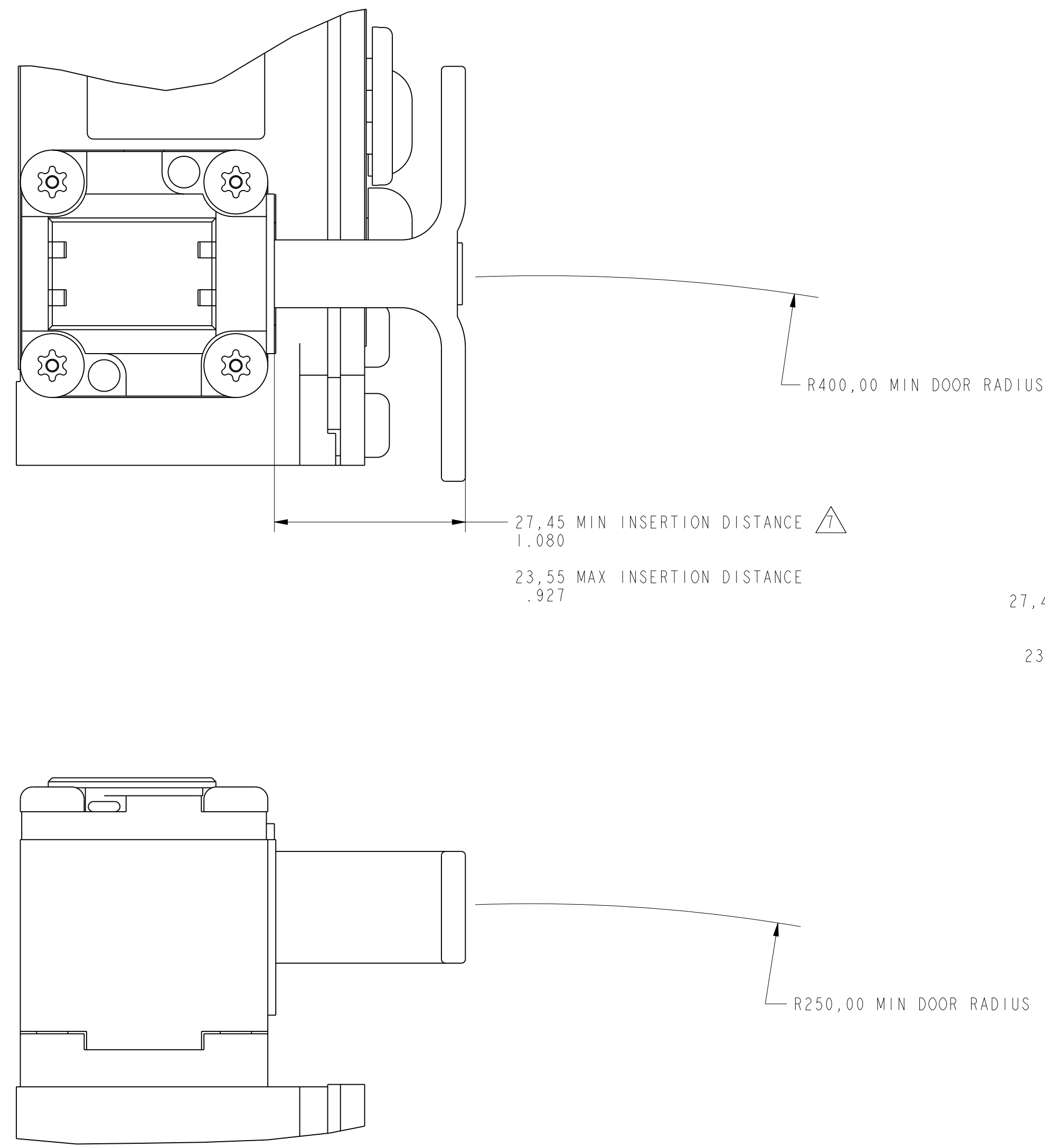
HEAD CODE P



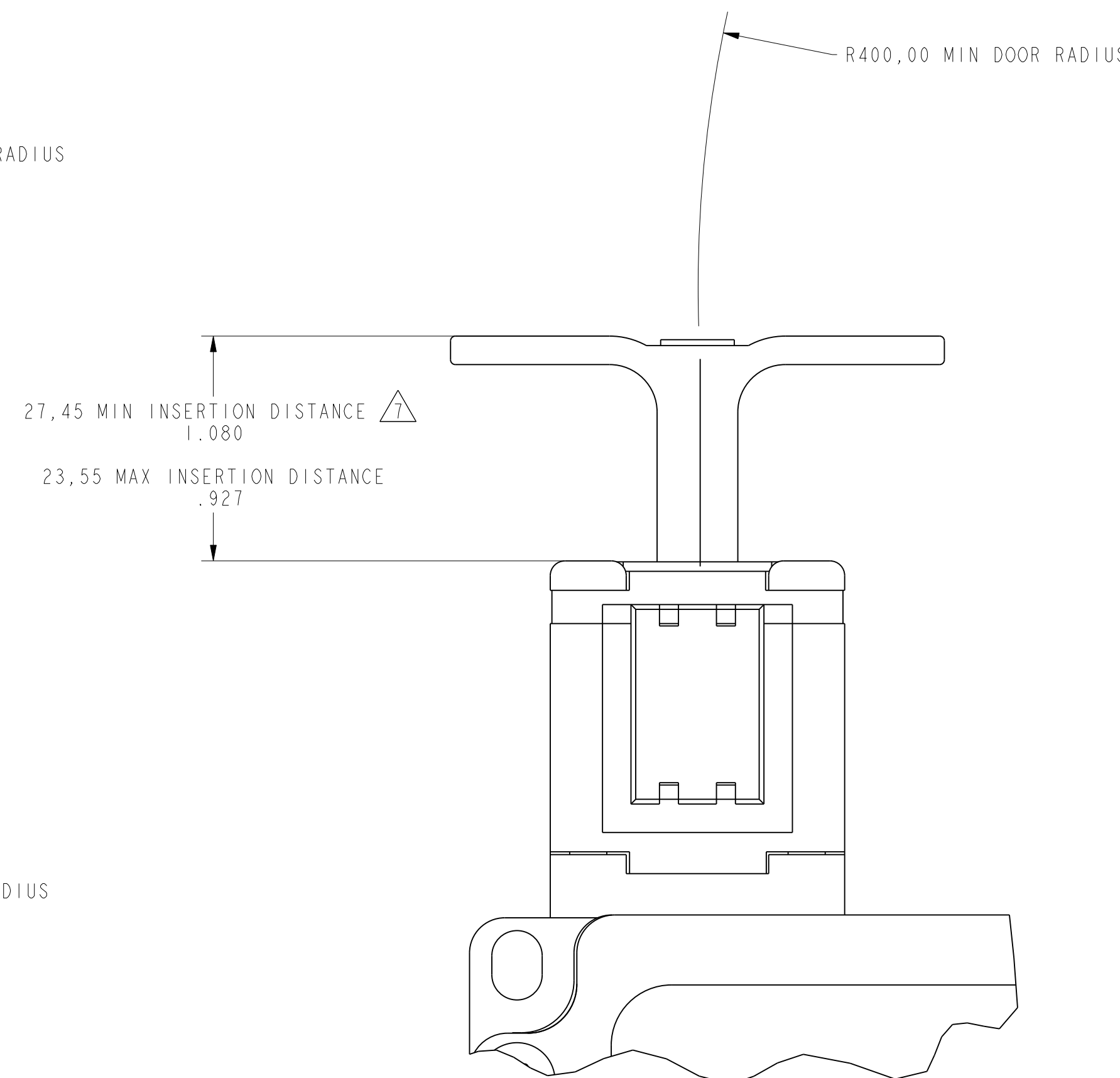
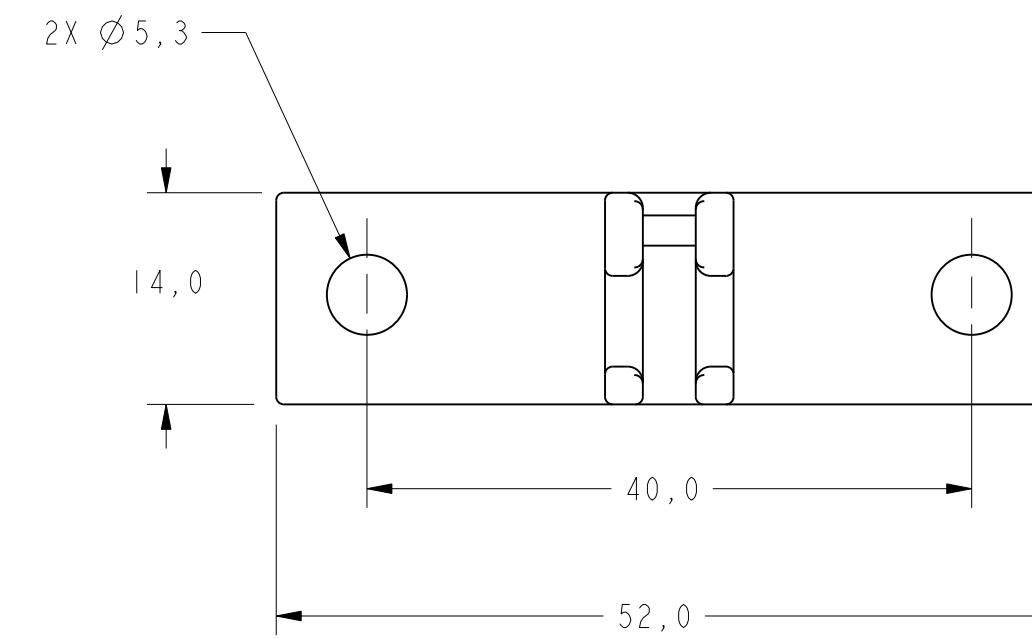
PTC/CAD 3D
 DRAWN MAM 30SEP08
 CHECK SAV 12MAY09
 PERS 04FEB09
 52
 MICROVISIONS
 M 04/1983
 35
 04FEB09
 5 OF 16
 RELEASE NO. PR-23758
 REVISIONS
 ISSUE
 DRAWING NUMBER
 GK SERIES CHART 4

THIS DRAWING COVERS A PROPRIETARY ITEM AND IS THE PROPERTY OF MICRO SWITCH, A DIVISION OF HONEYWELL. THIS DRAWING IS NOT TO BE COPIED OR USED WITHOUT THE APPROVAL OF MICRO SWITCH. FED. MFG. CODE 91929		CATALOG LISTING MICRO SWITCH a Honeywell Division		SWITCH - DOOR INTERLOCK GK SERIES CHART 4	
DESIGN UNITS <input checked="" type="checkbox"/> SI METRIC <input type="checkbox"/> US CUSTOMARY		WEIGHT 1.5 KG / 3.3 LB		THIRD ANGLE PROJECTION SCALE 1:1 DO NOT SCALE PRINT TOLERANCES APPLY TO DESIGN UNITS. CONVERSIONS ARE ONLY FOR REFERENCE, UNLESS NOTED. TOLERANCES ARE:	
NO PLACES	ONE PLACE	TWO PLACES	THREE PLACES	SI METRIC	US CUSTOMARY
X	X	X	X	<input checked="" type="checkbox"/>	<input type="checkbox"/>
±0.04	±0.02	±0.01	±0.005	±0.001	±0.0005
±0.001	±0.0005	±0.0002	±0.0001	±0.0001	±0.00005

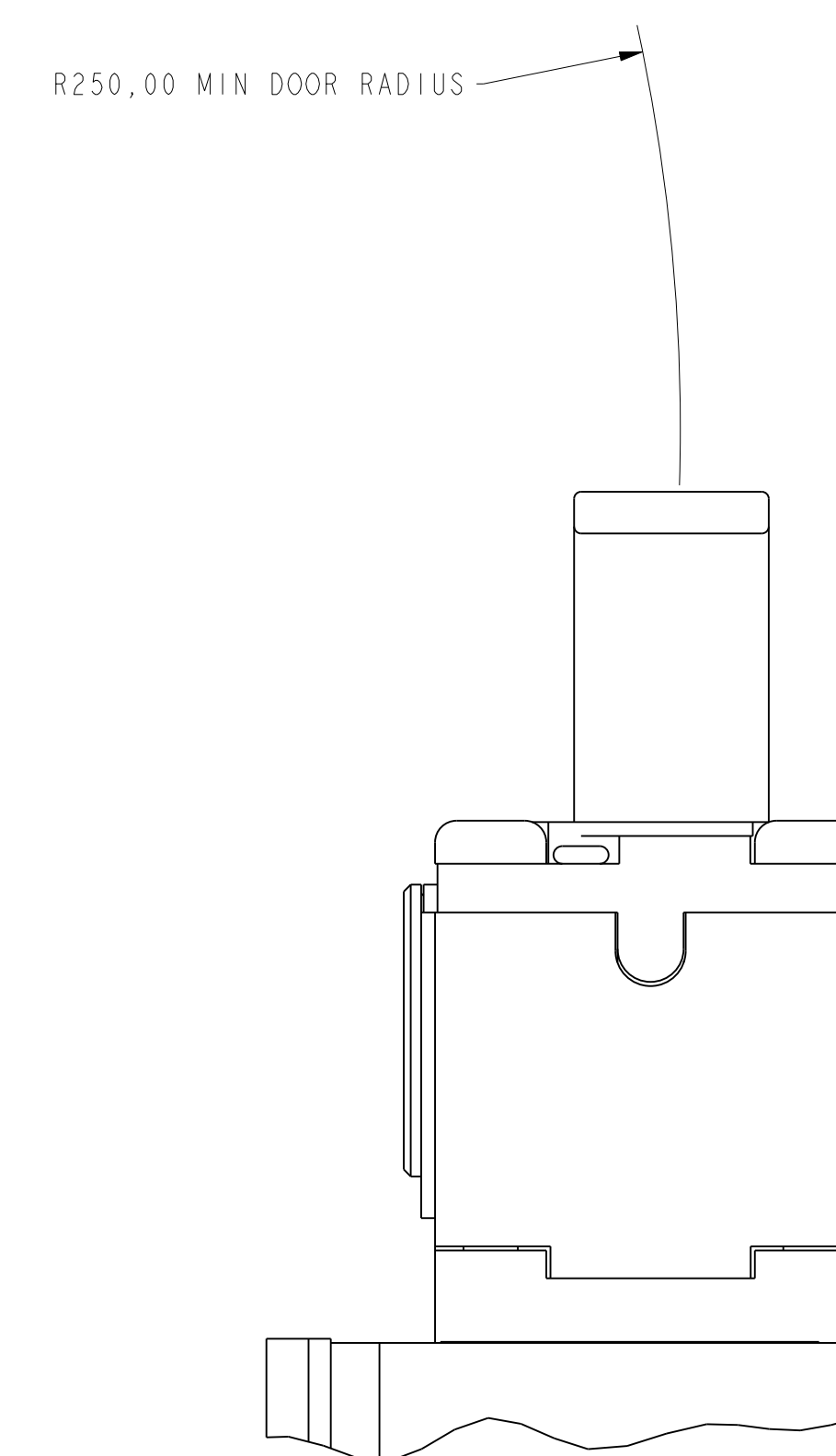
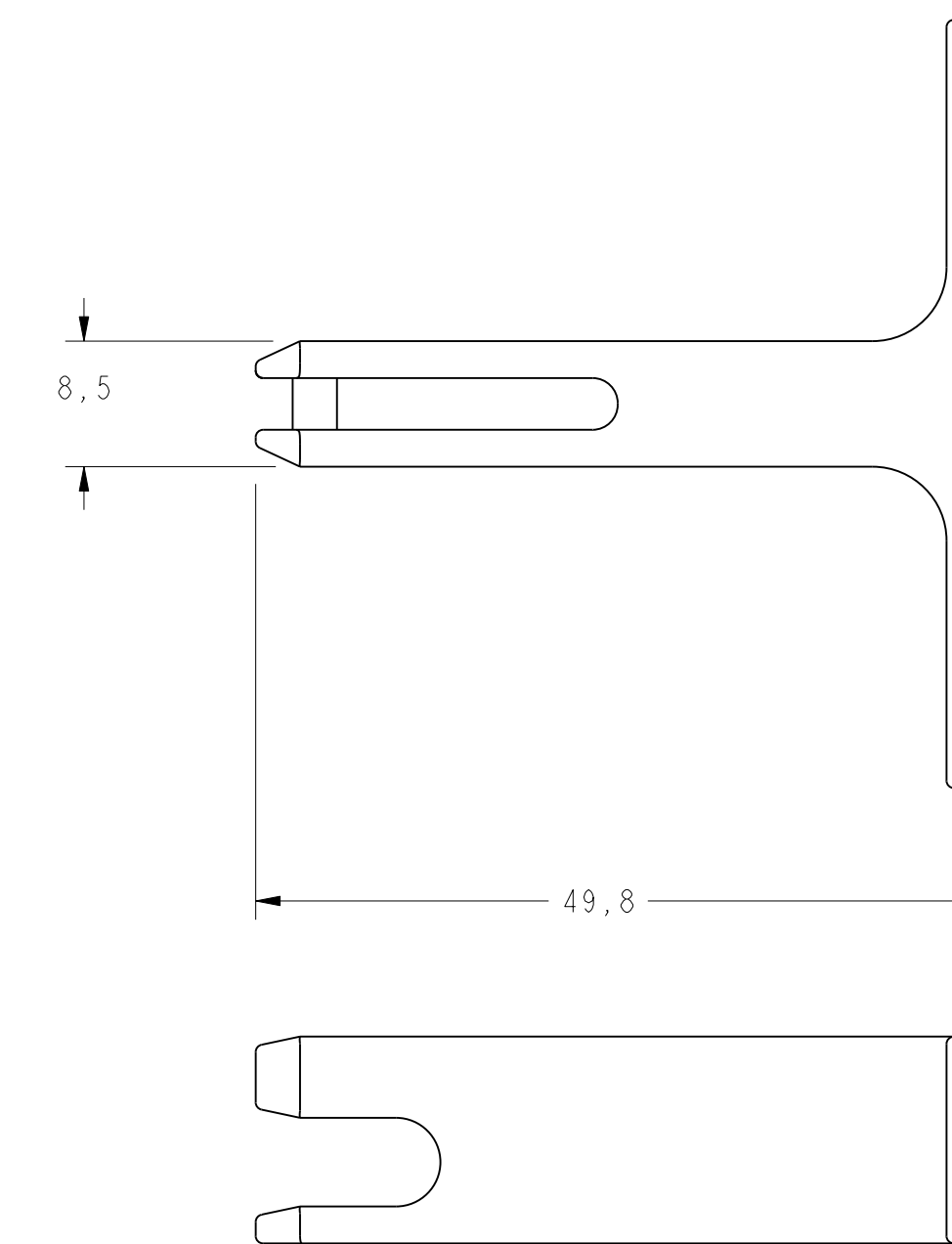
KEY CODE 7



FRONT KEY ENTRY



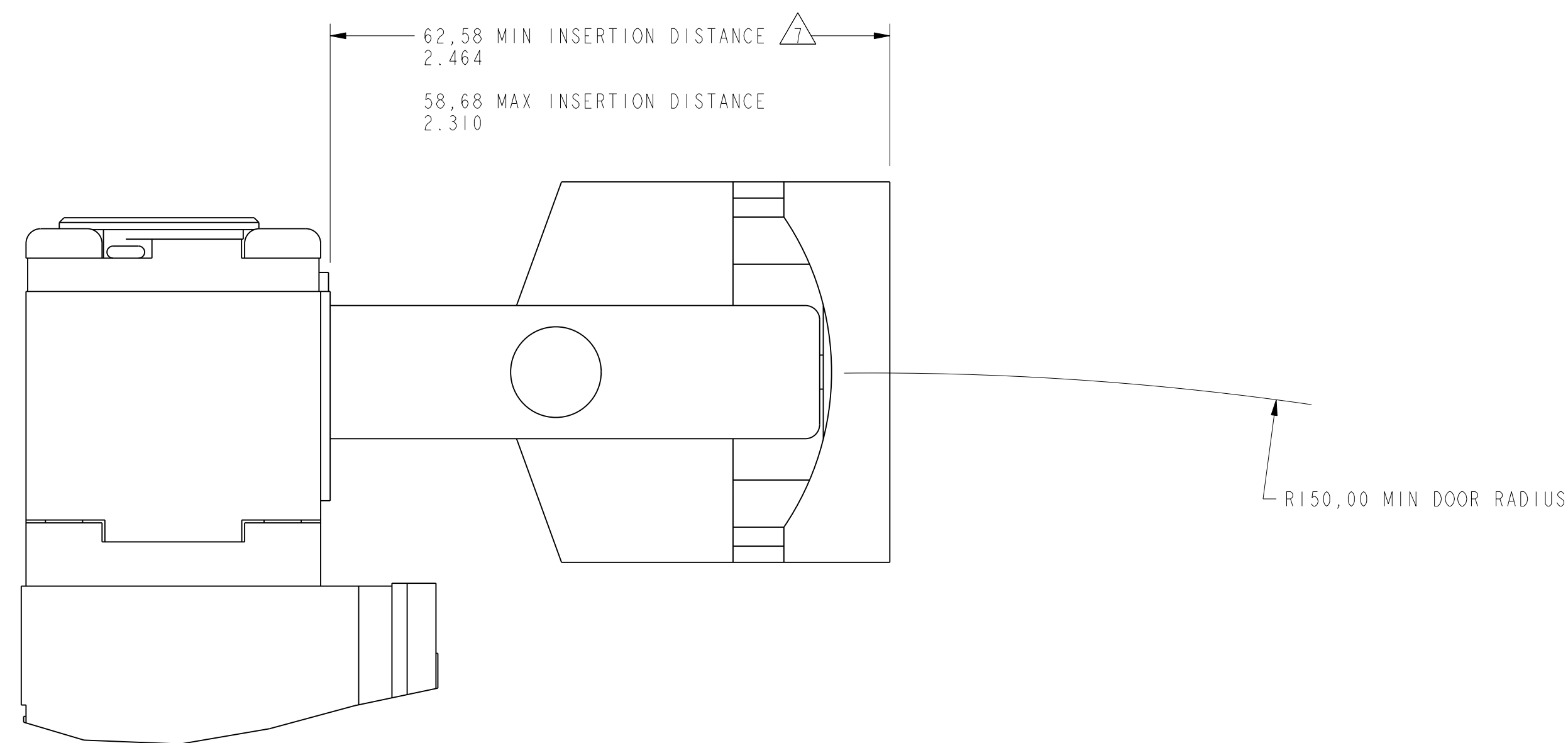
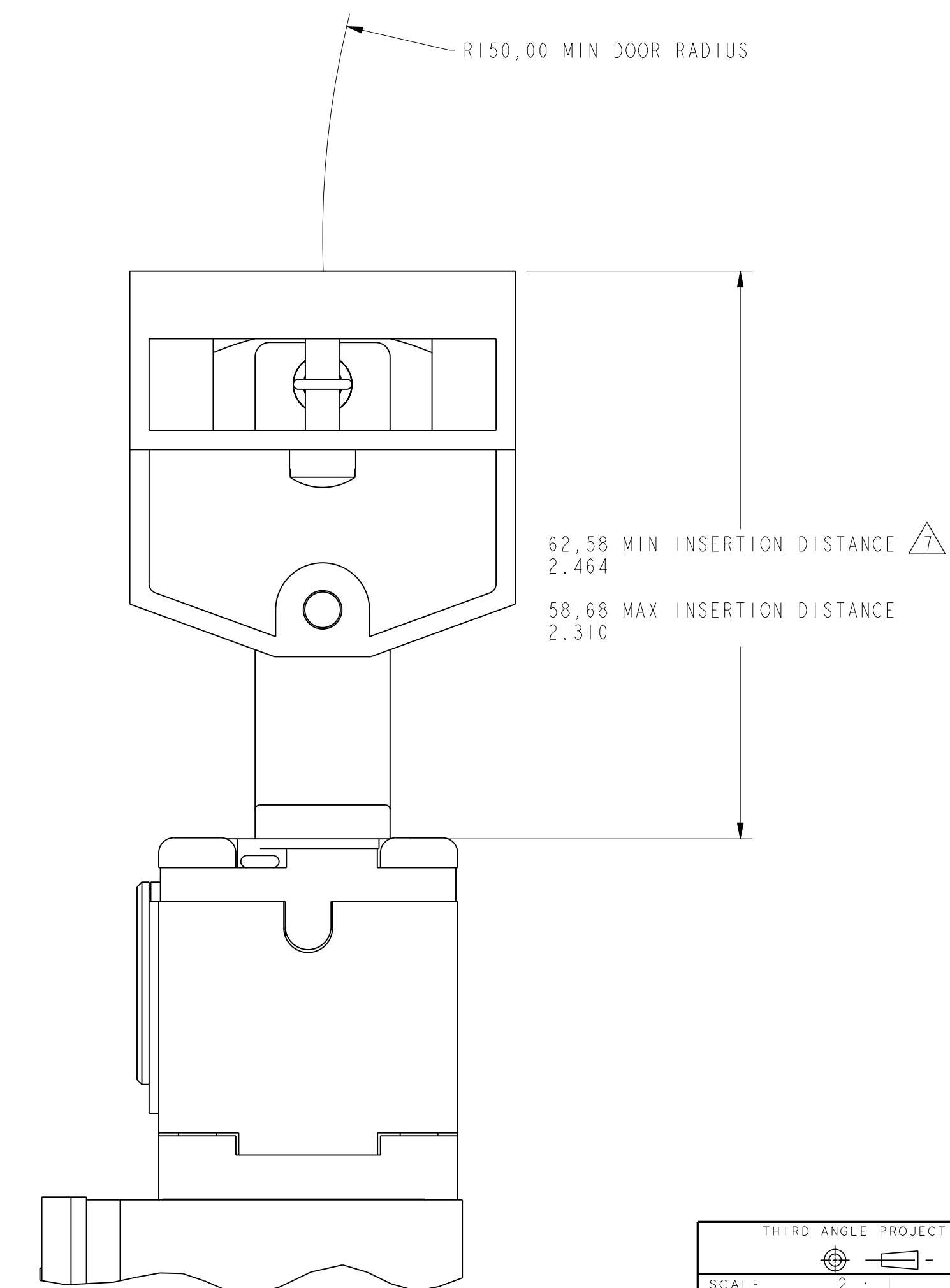
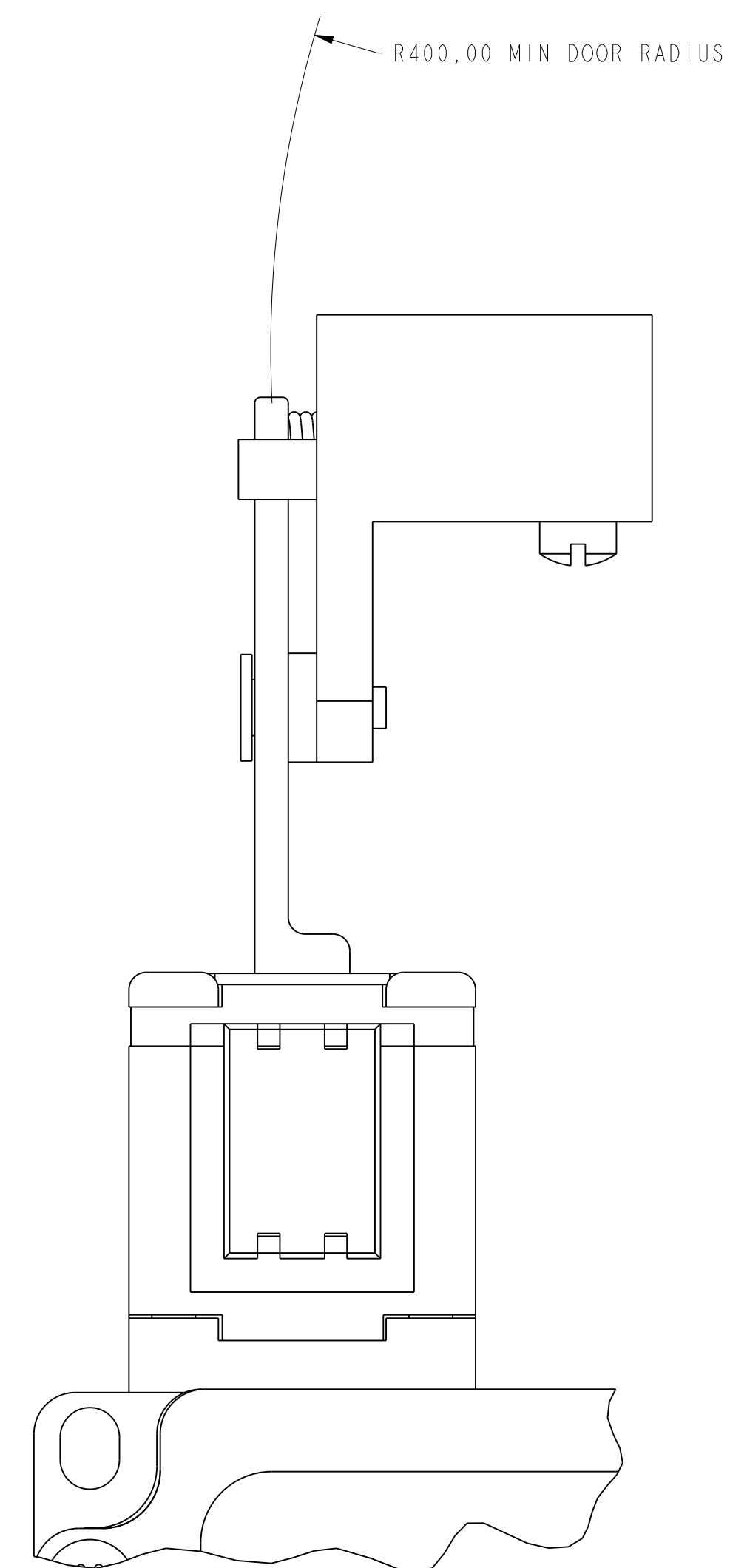
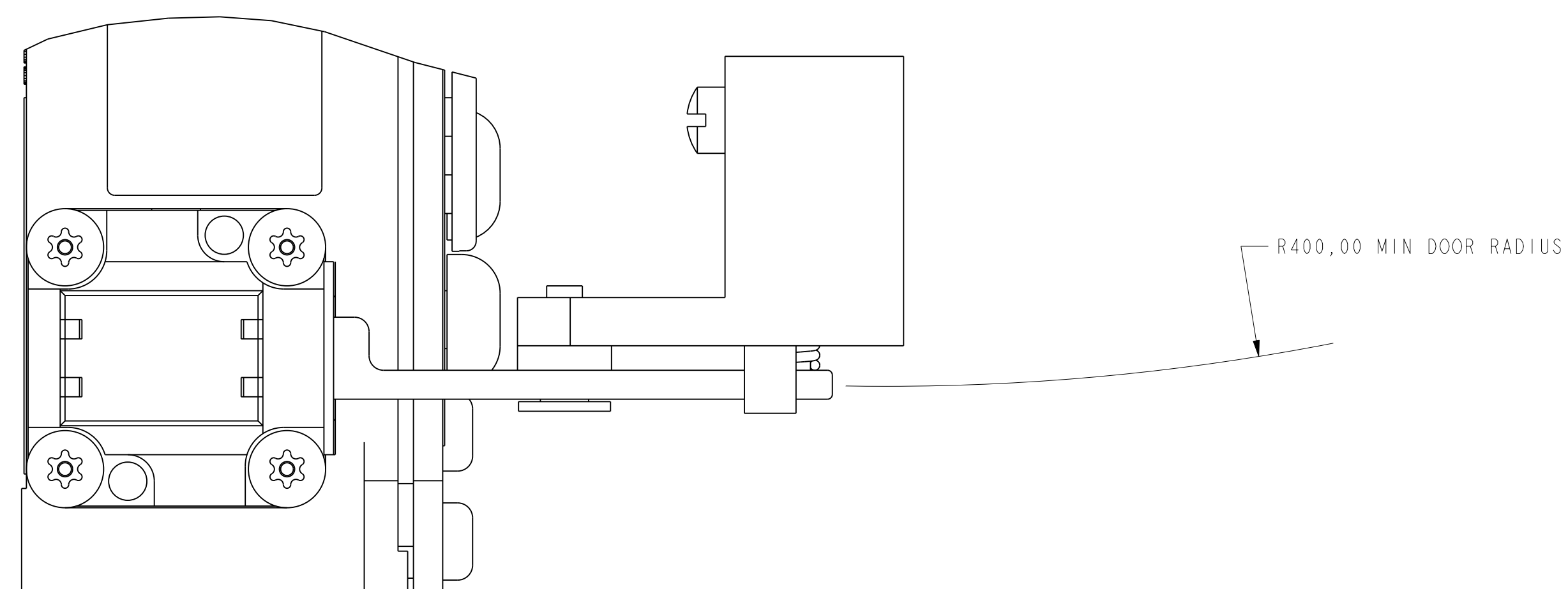
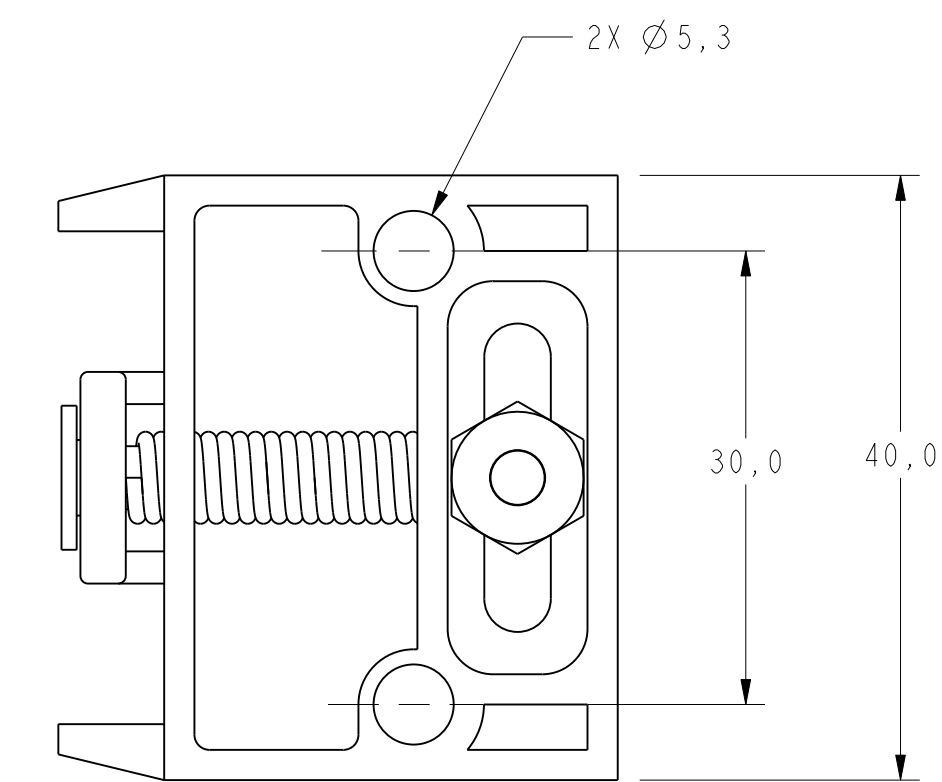
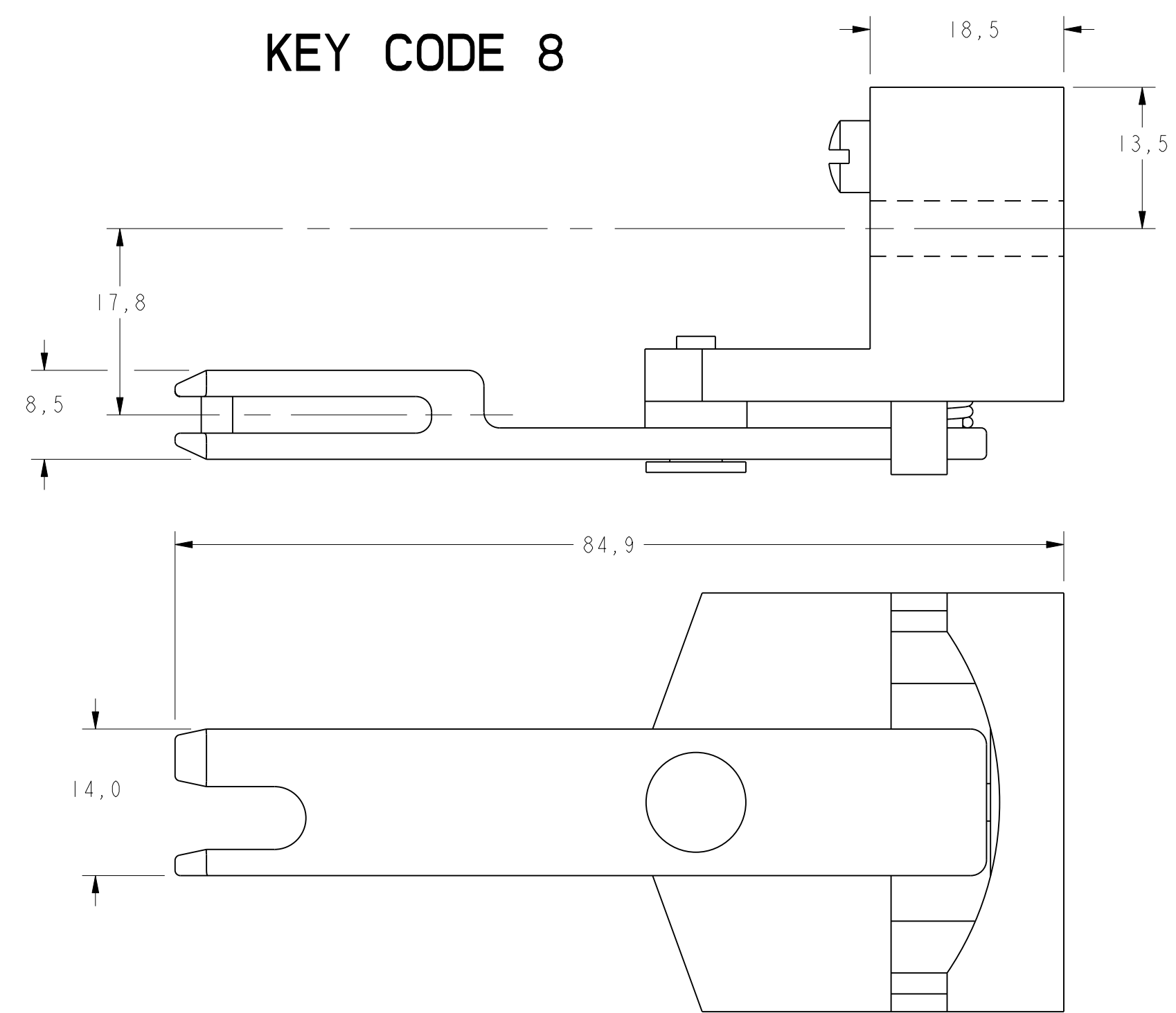
TOP KEY ENTRY



PTC/CAD 3D
 DRAWN MAM LOC 98
 CHECK SAV 12MAY99
 PERS 04FEB09
 APPROVALS
 52
 M GK SERIES CHART 4
 DRAWING NUMBER
 PAGE 7 OF 16
 RELEASE NO. PR-23758
 REVISIONS
 1 04/1983
 2 05/1983
 3 05/1983
 4 05/1983

THIS DRAWING COVERS A PROPRIETARY ITEM AND IS THE PROPERTY OF MICRO SWITCH, A DIVISION OF HONEYWELL. THIS DRAWING IS NOT TO BE COPIED OR USED WITHOUT THE APPROVAL OF MICRO SWITCH.			
FED. MFG. CODE 91929 MICRO SWITCH a Honeywell Division		CATALOG LISTING SWITCH - DOOR INTERLOCK GK SERIES CHART 4	
DESIGN UNITS <input checked="" type="checkbox"/> SI METRIC <input type="checkbox"/> US CUSTOMARY		TOLERANCES APPLY TO DESIGN UNITS. CONVERSIONS ARE ONLY FOR REFERENCE, UNLESS NOTED. TOLERANCES ARE:	
NO PLACES	X	12,00	0,01
ONE PLACE	X,1X	0,40/0,06	0,05/0,05
TWO PLACES	X,1X	0,15/0,06	0,05/0,05
THREE PLACES	X,1X	0,15/0,06	0,05/0,05
ANGLES			
WEIGHT 1,5 KG / 3,3 LB			

KEY CODE 8



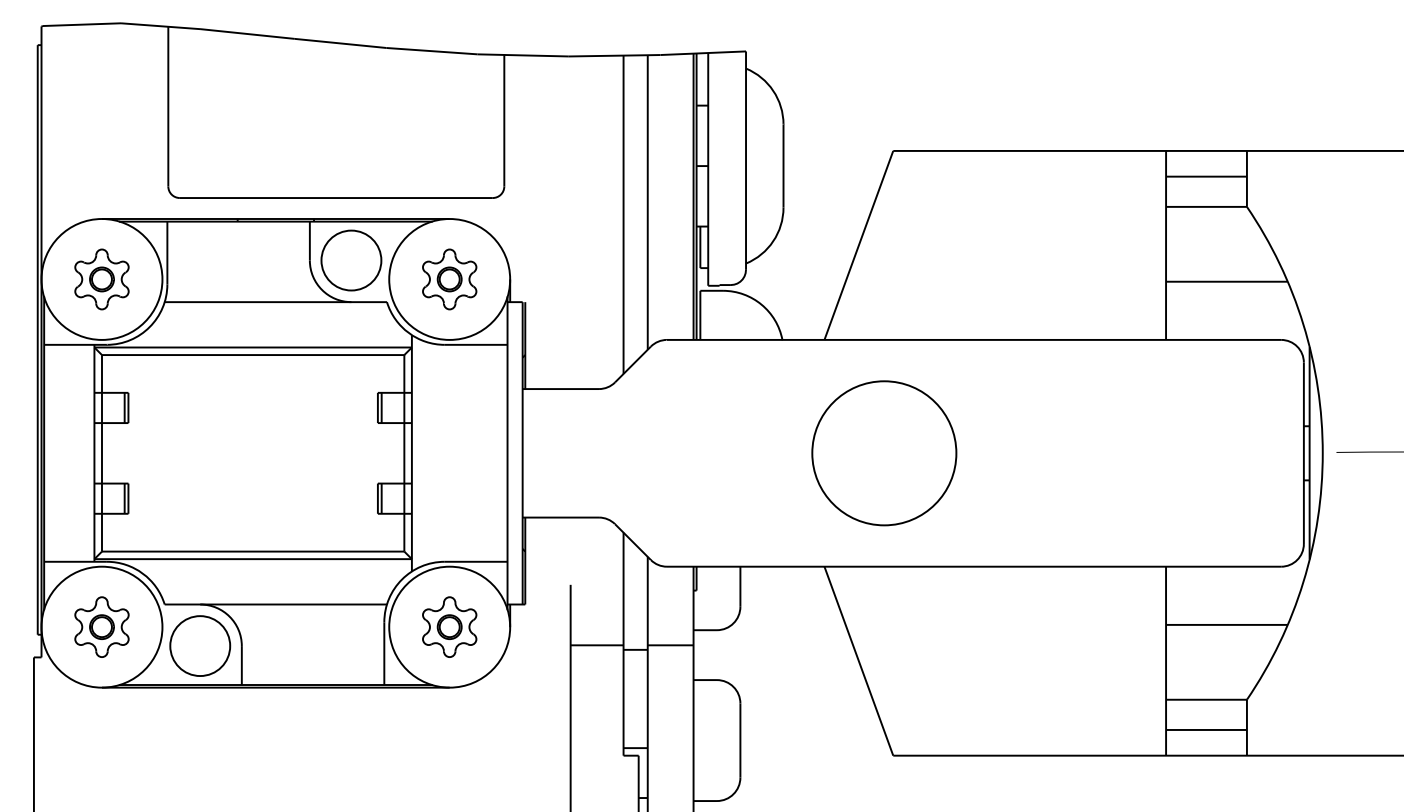
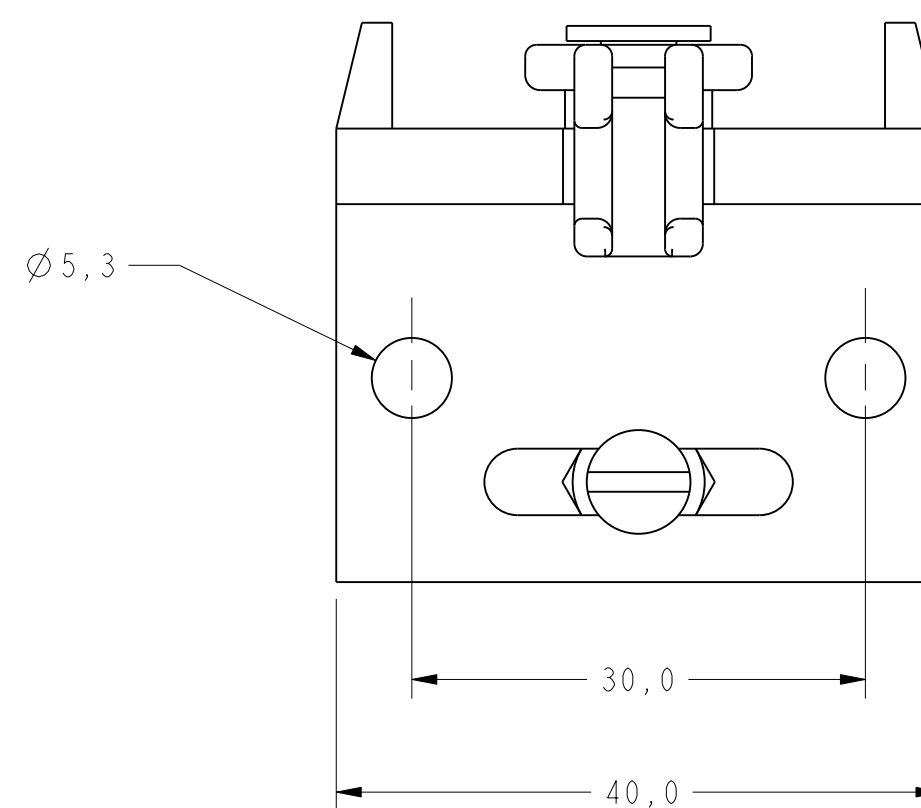
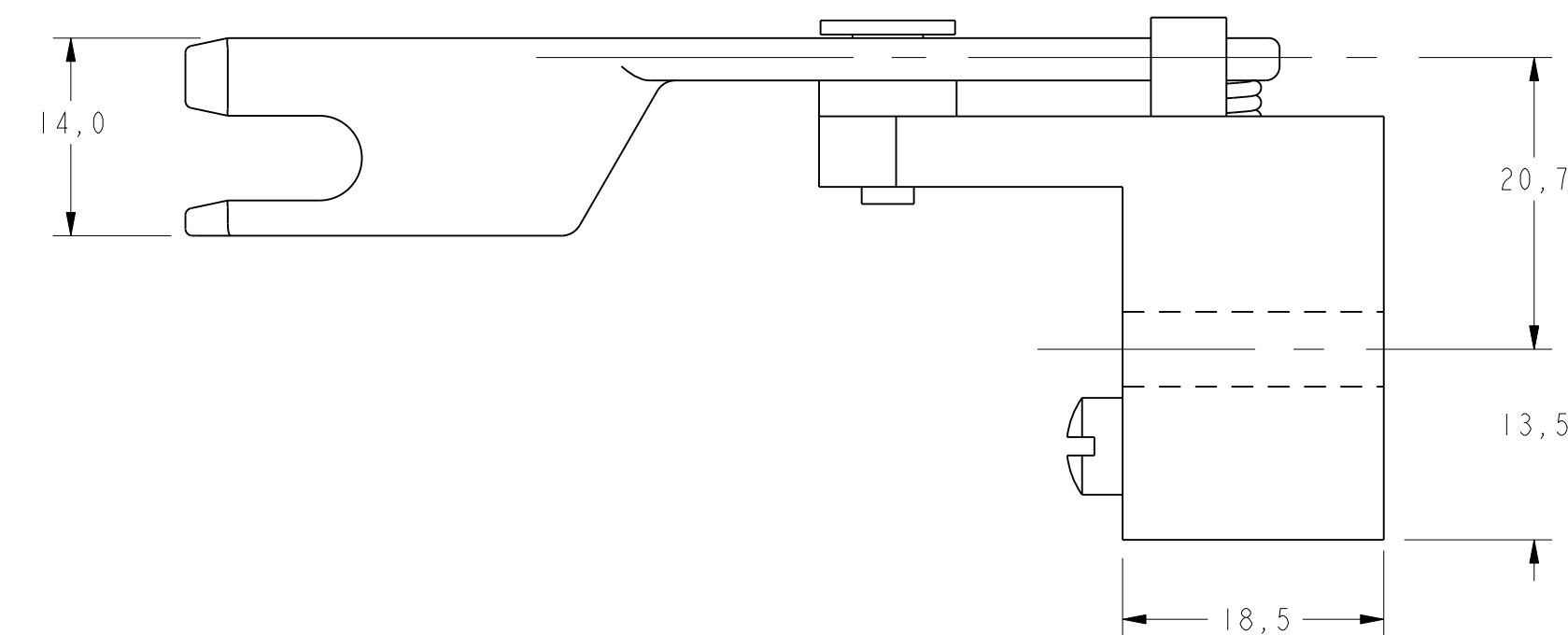
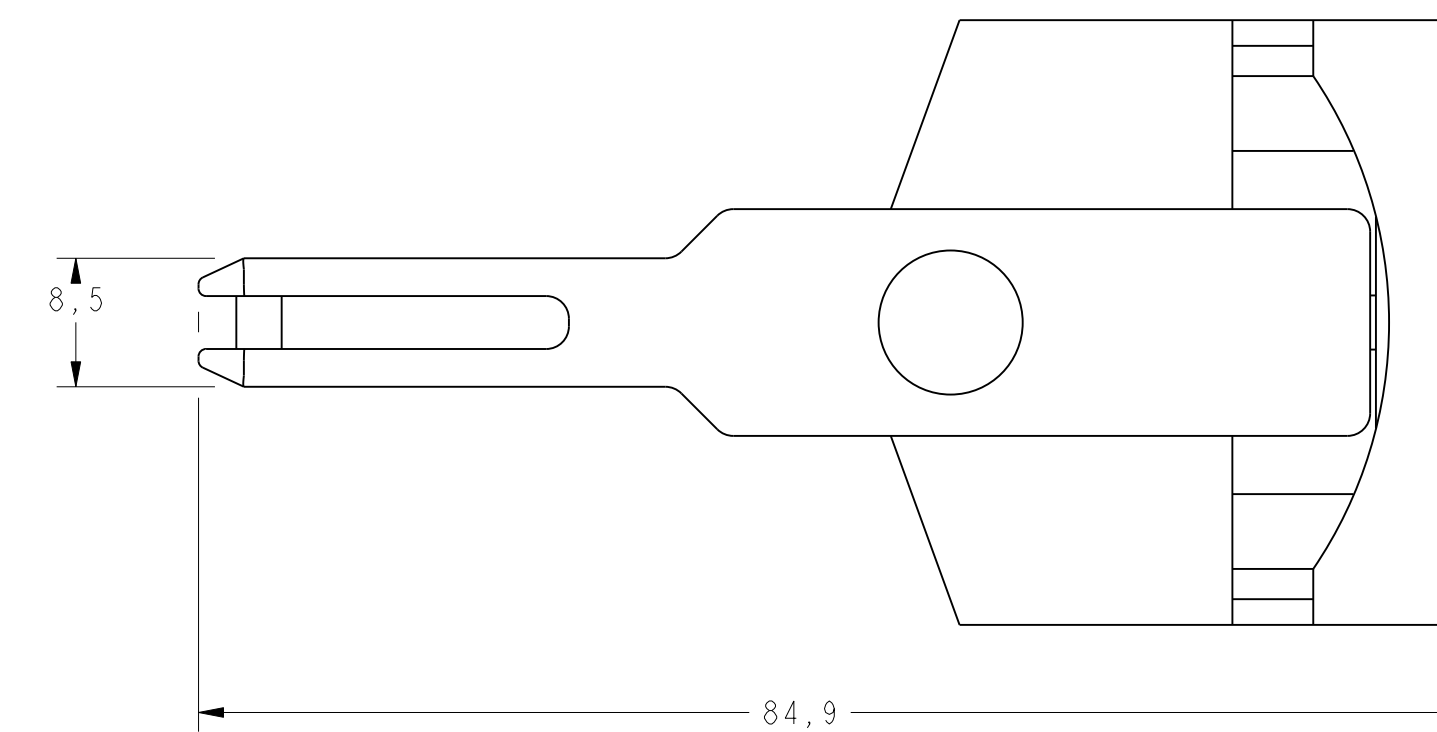
TOP KEY ENTRY

FRONT KEY ENTRY

PTC/CAD 3D
DRAWN MAM LOC 98
CHECK SAV 12MAY99
CHECK PPS 04FEB03
CHECK 16FEB03
ISSUE 52
DRAWING NUMBER 8 OF 16
RELEASE NO. PR-23788

THIS DRAWING COVERS A PROPRIETARY ITEM AND IS THE PROPERTY OF MICRO SWITCH, A DIVISION OF HONEYWELL. THIS DRAWING IS NOT TO BE COPIED OR USED WITHOUT THE APPROVAL OF MICRO SWITCH.		CATALOG LISTING	
<p>MICRO SWITCH a Honeywell Division</p>		<p>SWITCH - DOOR INTERLOCK</p> <p>GK SERIES CHART 4</p>	
<p>DESIGN UNITS <input checked="" type="checkbox"/> SI METRIC <input type="checkbox"/> US CUSTOMARY <input type="checkbox"/></p>		<p>WEIGHT 1,5 KG / 3,3 LB</p>	

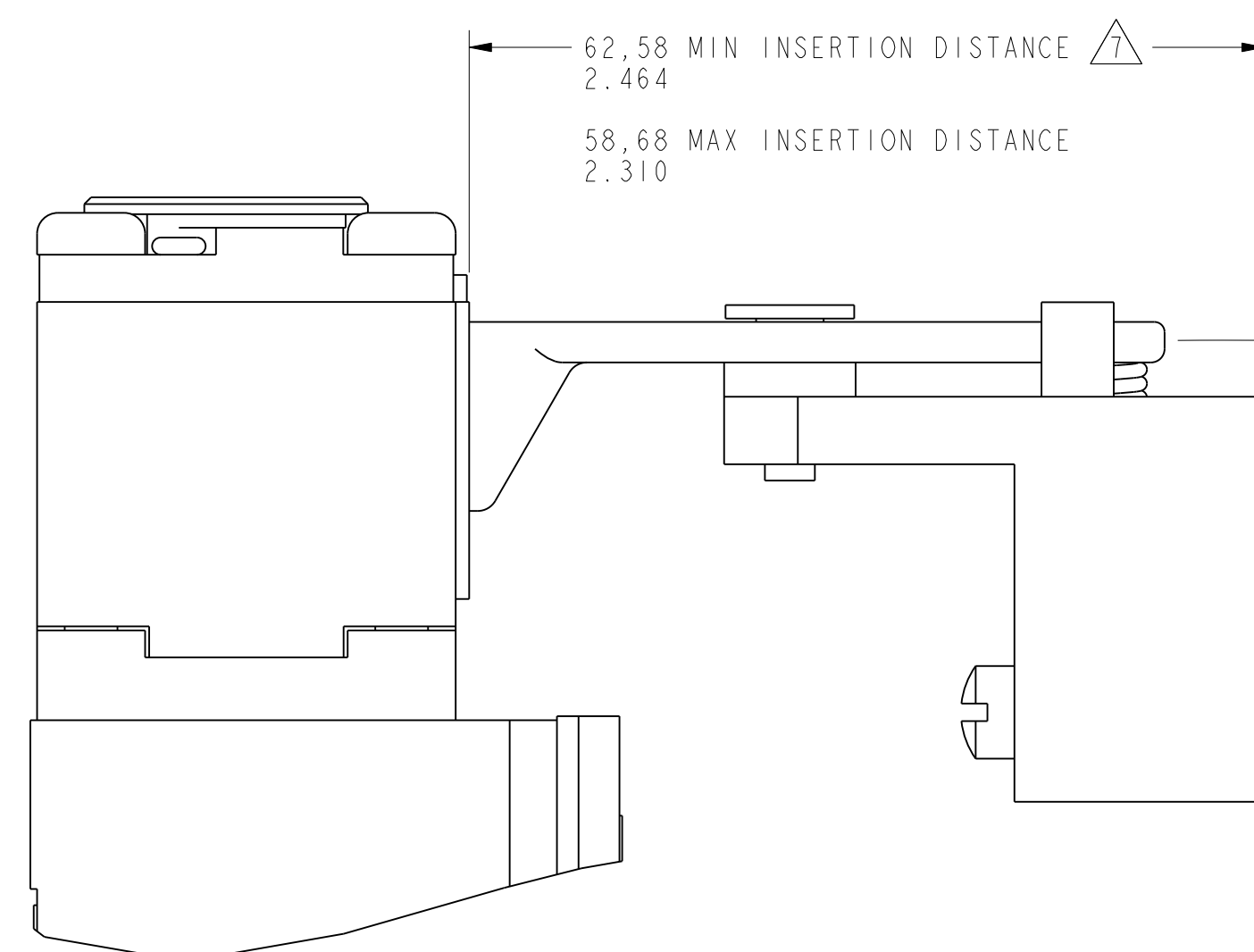
KEY CODE 9



R150,00 MIN DOOR RADIUS

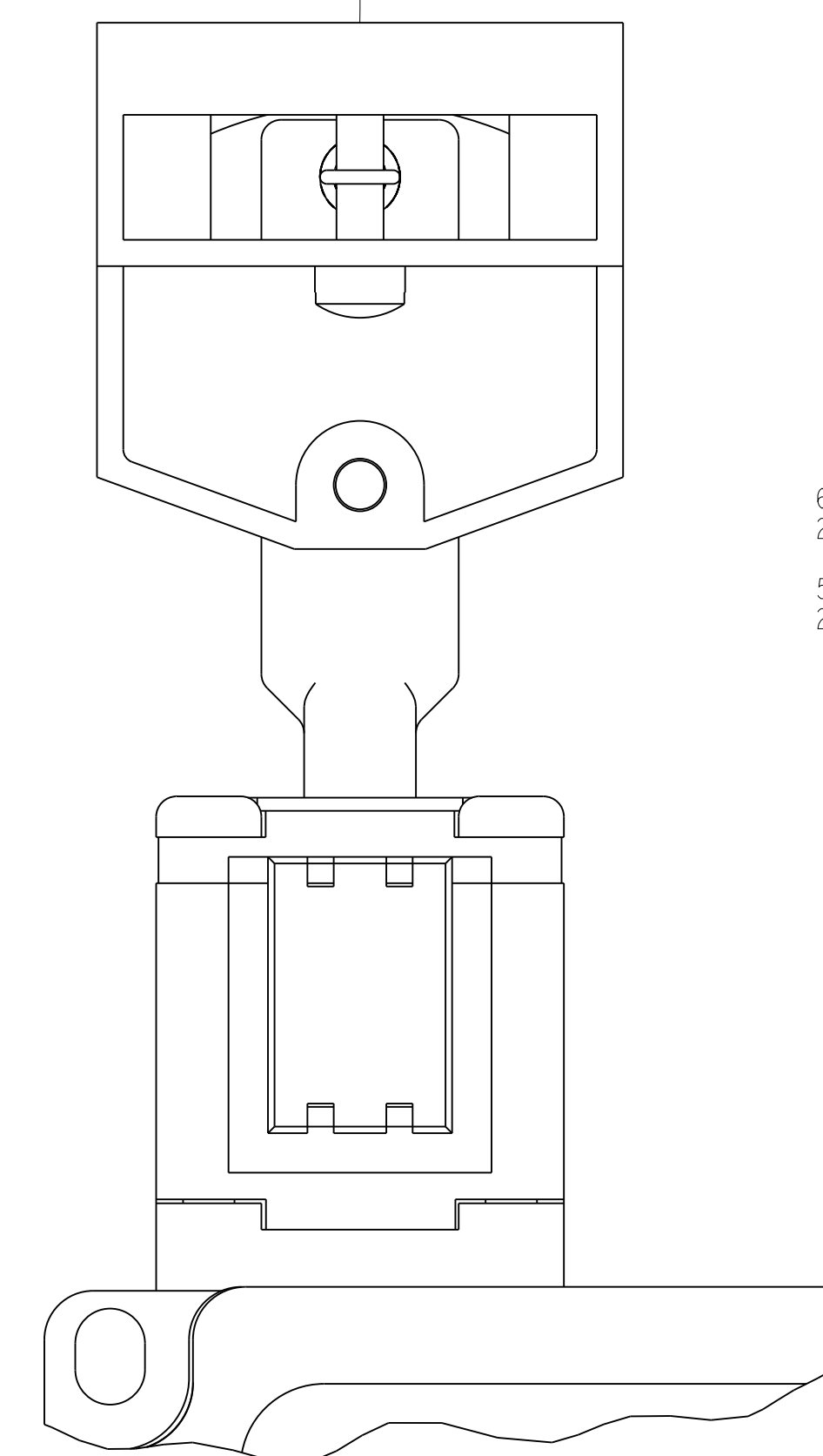
R150,00 MIN DOOR RADIUS

R250,00 MIN DOOR RADIUS



FRONT KEY ENTRY

R250,00 MIN DOOR RADIUS



TOP KEY ENTRY

62,58 MIN INSERTION DISTANCE
2.464
58,68 MAX INSERTION DISTANCE
2.310

THIS DRAWING COVERS A PROPRIETARY ITEM AND IS THE PROPERTY OF MICRO SWITCH, A DIVISION OF HONEYWELL. THIS DRAWING IS NOT TO BE COPIED OR USED WITHOUT THE APPROVAL OF MICRO SWITCH.		CATALOG LISTING	
MICRO SWITCH a Honeywell Division		SWITCH - DOOR INTERLOCK GK SERIES CHART 4	
FED. MFG. CODE 91929 DESIGN UNITS <input checked="" type="checkbox"/> SI METRIC <input type="checkbox"/> US CUSTOMARY		WEIGHT 1,5 KG / 3,3 LB	

THIRD ANGLE PROJECTION			
SCALE 2 : 1			
DO NOT SCALE PRINT			
TOLERANCES			
APPLY TO DESIGN UNITS. CONVERSIONS ARE ONLY FOR REFERENCE, UNLESS NOTED. TOLERANCES ARE :			
NO PLACES	1X	12,00	0,01,05
ONE PLACE	X,1	0,40,016	0,30,015
TWO PLACES	X,1X	0,15,008	0,15,008
THREE PLACES	X,1XX		
ANGLES			

PTC/CAD 3D
 DRAWN MAM
 CHECK LOC 98
 SAV 12MAY99
 PERS 04FEB09
 CHECK
 RELEASE NO. PR-23788
 9 OF 16
 GK SERIES CHART 4
 ISSUE 52



BODY / INDICATOR CODES - L OR R
 TYPE / OVER-RIDE CODES - A OR B
 DIAGRAMS SHOWN WITH KEY INSERTED AND LOCKED

PTC/CAD 3D
 DRAWN MAM LOC 98
 CHECK SAV 12MAY99
 CHECK PRS 04FEB99
 CHECK
 RELEASE NO. PR-23788
 PAGE 10 OF 16
 DRAWING NUMBER
 ISSUE 52
 MICROVISIONS
 11/24/98
 352
 04FEB99

THIS DRAWING COVERS A PROPRIETARY ITEM AND IS THE PROPERTY OF MICRO SWITCH, A DIVISION OF HONEYWELL. THIS DRAWING IS NOT TO BE COPIED OR USED WITHOUT THE APPROVAL OF MICRO SWITCH.		CATALOG LISTING	
MICRO SWITCH a Honeywell Division		SWITCH - DOOR INTERLOCK GK SERIES CHART 4	
DESIGN UNITS <input checked="" type="checkbox"/> SI METRIC <input type="checkbox"/> US CUSTOMARY <input type="checkbox"/>		WEIGHT 1.5 KG / 3.3 LB	
TOLERANCES APPLY TO DESIGN UNITS. CONVERSIONS ARE ONLY FOR REFERENCE, UNLESS NOTED. TOLERANCES ARE:		THIRD ANGLE PROJECTION NTS DO NOT SCALE PRINT	



BODY / INDICATOR CODES - F OR G
 TYPE / OVER-RIDE CODES - A OR B
 DIAGRAMS SHOWN WITH KEY INSERTED AND LOCKED

PTC/CAD 3D
 DRAWN MAM
 CHECK LOC 98
 CHECK SAV
 CHECK 12MAY99
 CHECK PRS
 CHECK 04 FEB 09
 CHECK 04 FEB 98
 CHECK 04 FEB 99
 ISSUE 52
 DRAWING NUMBER 11 OF 16
 RELEASE NO. PR-23788
 REVISIONS
 1 04/1983
 2 05/1983
 3 04/1989

THIS DRAWING COVERS A PROPRIETARY ITEM AND IS THE PROPERTY OF MICRO SWITCH, A DIVISION OF HONEYWELL. THIS DRAWING IS NOT TO BE COPIED OR USED WITHOUT THE APPROVAL OF MICRO SWITCH. FED. MFG. CODE 91929		CATALOG LISTING	
MICRO SWITCH a Honeywell Division		SWITCH - DOOR INTERLOCK	
DESIGN UNITS <input checked="" type="checkbox"/> SI METRIC <input type="checkbox"/> US CUSTOMARY		GK SERIES CHART 4	
WEIGHT 1.5 KG / 3.3 LB		THIRD ANGLE PROJECTION SCALE NTS DO NOT SCALE PRINT TOLERANCES APPLY TO DESIGN UNITS. CONVERSIONS ARE ONLY FOR REFERENCE, UNLESS NOTED. TOLERANCES ARE:	
NO PLACES	±.04	NO PLACES	±.04
ONE PLACE	±.04	TWO PLACES	±.04
TWO PLACES	±.04	THREE PLACES	±.04
THREE PLACES	±.04	FOUR PLACES	±.04



BODY / INDICATOR CODES - L OR R
 TYPE / OVER-RIDE CODES - S OR T
 DIAGRAMS SHOWN WITH KEY INSERTED AND LOCKED

PTC/CAD 3D
 DRAWN
 MAM
 LOC 198
 CHECK
 DVM
 21SEP06
 CHECK
 PRS
 04FEB09
 CHECK
 52
 ISSUE
 DRAWING NUMBER
 PAGE 12 OF 16
 RELEASE NO. PR-23788
 REVISIONS
 1
 2447583
 33
 04FEB09

THIS DRAWING COVERS A PROPRIETARY ITEM AND IS THE PROPERTY OF MICRO SWITCH, A DIVISION OF HONEYWELL. THIS DRAWING IS NOT TO BE COPIED OR USED WITHOUT THE APPROVAL OF MICRO SWITCH.		FED. MFG. CODE 91929		CATALOG LISTING	
MICRO SWITCH a Honeywell Division		SWITCH - DOOR INTERLOCK		GK SERIES CHART 4	
DESIGN UNITS <input checked="" type="checkbox"/> SI METRIC <input type="checkbox"/> US CUSTOMARY		WEIGHT 1.5 KG / 3.3 LB			
TOLERANCES APPLY TO DESIGN UNITS. CONVERSIONS ARE ONLY FOR REFERENCE, UNLESS NOTED. TOLERANCES ARE:		DIM NO PLACES ONE PLACE TWO PLACES THREE PLACES ANGLES	TOL. mm 17.04 0.40714 0.152406	DIM IN 2.1 0.0157 0.00125	TOL. IN 0.671 0.00157 0.000157

THIRD ANGLE PROJECTION
 SCALE NTS
 DO NOT SCALE PRINT
 TOLERANCES
 APPLY TO DESIGN UNITS. CONVERSIONS ARE ONLY FOR REFERENCE, UNLESS NOTED. TOLERANCES ARE:



BODY / INDICATOR CODES - F OR G
 TYPE / OVER-RIDE CODES - S OR T
 DIAGRAMS SHOWN WITH KEY INSERTED AND LOCKED

PTC/CAD 3D
 DRAWN MAM
 CHECK LOC 98
 DATE 12MAY93
 PERS 04FEB93
 CHECK 52
 ISSUE 13 OF 16
 RELEASE NO. PR-23788
 REVISIONS
 1 04FEB93
 2 04FEB93
 3 04FEB93

THIS DRAWING COVERS A PROPRIETARY ITEM AND IS THE PROPERTY OF MICRO SWITCH, A DIVISION OF HONEYWELL. THIS DRAWING IS NOT TO BE COPIED OR USED WITHOUT THE APPROVAL OF MICRO SWITCH.		CATALOG LISTING	
FED. MFG. CODE 91929 MICRO SWITCH a Honeywell Division		SWITCH - DOOR INTERLOCK GK SERIES CHART 4	
DESIGN UNITS <input checked="" type="checkbox"/> SI METRIC <input type="checkbox"/> US CUSTOMARY <input type="checkbox"/>		WEIGHT 1.5 KG / 3.3 LB	

THIRD ANGLE PROJECTION

SCALE NTS

DO NOT SCALE PRINT

TOLERANCES

APPLY TO DESIGN UNITS. CONVERSIONS ARE ONLY FOR REFERENCE. UNLESS NOTED, TOLERANCES ARE:

	SI	US	SI	US
NO PLACES	X	12.04	F	0.01, 0.05
ONE PLACE	X, 1X	0.40, 0.06	F, 1X	0.30, 0.15
TWO PLACES	X, 1X	0.15, 0.06	F, 1X	0.15, 0.15
THREE PLACES	X, 1X		F, 1X	
ANGLES				

MODIFICATION CODE: F04

CATALOG LISTING

GK SERIES CHART 4

PAGE 16 OF 16

ISSUE 52

REVISIONS

N 0047583
SSK 04FEB09

PTC/CAD 3D

DRAWN

REPLACES -

RELEASE NO.

CHECK

04FEB09

PRS

CHECK

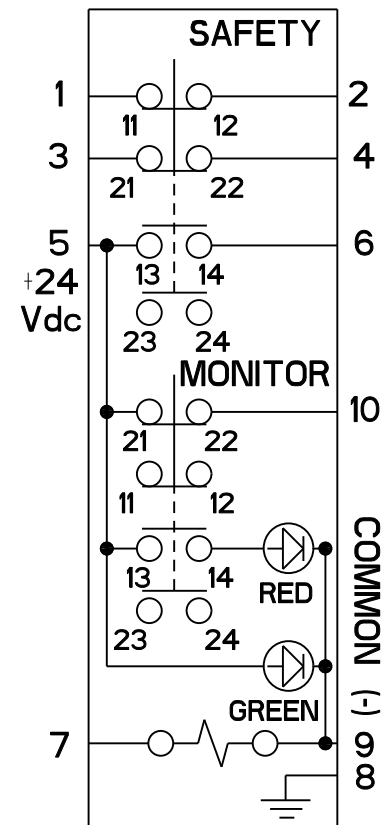
17DEC04

AK

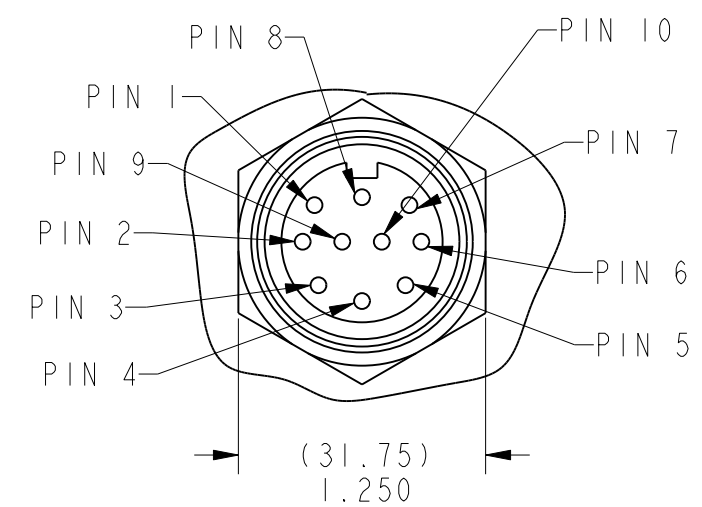
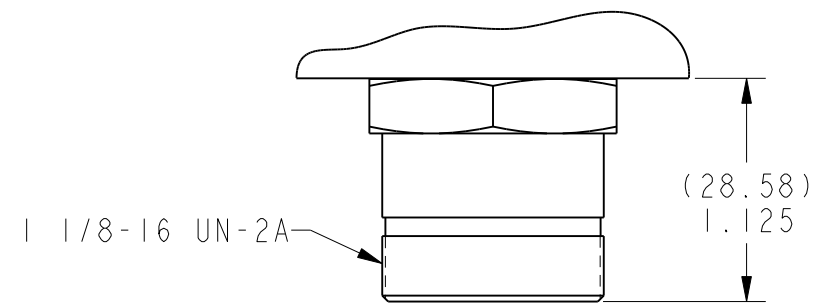
CHECK

17DEC04

RS



SWITCH DIAGRAM STATE IS CLOSED AND LOCKED



300V 7A
BRAD-HARRISON PART NO. 3R1006A21F010
OR EQUIVALENT

THIRD ANGLE PROJECTION			
SCALE NTS			
DO NOT SCALE PRINT			
TOLERANCES			
APPLY TO DESIGN UNITS. CONVERSIONS ARE ONLY FOR REFERENCE. UNLESS NOTED, TOLERANCES ARE:			
DIM.	TOL.	DIM.	TOL.
mm	mm/in	in	mm/in
NO PLACES	X	1/04	X.X 0.8/.03
ONE PLACE	X.X	0.07/016	X.XX 0.38/.015
TWO PLACES	X.XX	0.15/.006	X.XXX 0.13/.005
THREE PLACES	X.XXX		
ANGLES			
SI METRIC		US CUSTOMARY	
DESIGN UNITS			
WEIGHT 2,3 kg / 5 LB MAX			