

# Machined Pin Capacitor Dip Socket Series



## Features:

- Four finger clip with funnel design entry
- Side and end stackable
- Pin 1 polarized

## Specifications:

### Capacitor Data:

Style	: Axial multilayer ceramic
Type	: Z5U
Capacitor Value	: 0.1 $\mu$ F
Voltage	: 50V
Working Temperature	: +10°C to +85°C

### Ratings:

Current	: 1A max.
Voltage	: 10mV to 60V
Dielectric Strength	: > 1,000V (RMS)
Contact Resistance	: $\leq$ 7m $\Omega$
Insulation resistance	: > 10 <sup>12</sup> $\Omega$
Air and Creepage Distance	: > 0.6mm
PCB Thickness	: 1.6mm to 2mm
PCB Hole Size	: 0.7mm to 0.9mm

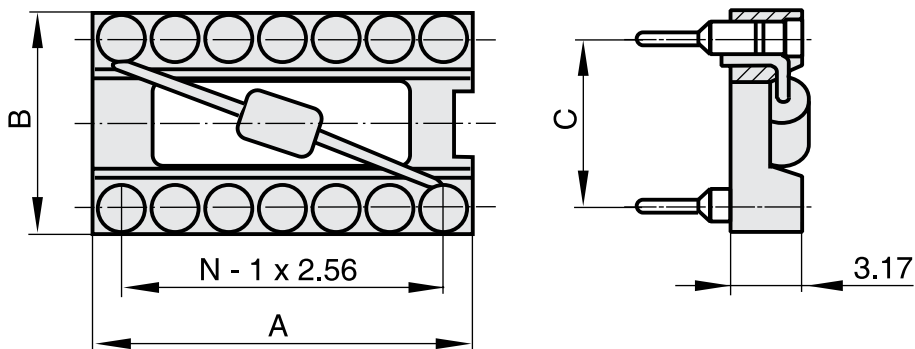
### Material:

Plastic	: PBT Glass-filled
Sleeve	: Turned brass, Flash copper plated, Nickel 2-3 $\mu$ m, Tin 5 $\mu$ m
Clip	: Beryllium-copper, Nickel 2-3 $\mu$ m, Gold 0.25 $\mu$ m
Temperature Range	: -55°C / +125°C, 260°C for 5 sec. (solder bath resistant)
Insertion Depth	: 2.4mm min. to 3.9mm max.
Insertion Diameter	: 0.4mm min. to 0.56mm max.
Mechanical Life	: 100 cycles

# Machined Pin Capacitor Dip Socket Series



## Dimensions:



Part Number	Positions	A	B	C
SPC15585	14	17.7	10.08	7.62
SPC15586	16	20.24	10.08	7.62
SPC15587	20	25.32	10.08	7.62
SPC15588	24	30.4	17.7	15.24
SPC15589	28	35.48	17.7	15.24
SPC15590	40	50.72	17.7	15.24

Dimensions : Millimetres

## Part Number Table

Description	Part Number
Machined Pin Capacitor Dip Socket Series	SPC15585
	SPC15586
	SPC15587
	SPC15588
	SPC15589
	SPC15590

**Important Notice :** This data sheet and its contents (the "Information") belong to the members of the Premier Farnell group of companies (the "Group") or are licensed to it. No licence is granted for the use of it other than for information purposes in connection with the products to which it relates. No licence of any intellectual property rights is granted. The Information is subject to change without notice and replaces all data sheets previously supplied. The Information supplied is believed to be accurate but the Group assumes no responsibility for its accuracy or completeness, any error in or omission from it or for any use made of it. Users of this data sheet should check for themselves the Information and the suitability of the products for their purpose and not make any assumptions based on information included or omitted. Liability for loss or damage resulting from any reliance on the Information or use of it (including liability resulting from negligence or where the Group was aware of the possibility of such loss or damage arising) is excluded. This will not operate to limit or restrict the Group's liability for death or personal injury resulting from its negligence. Multicomp is the registered trademark of the Group. © Premier Farnell plc 2012.

