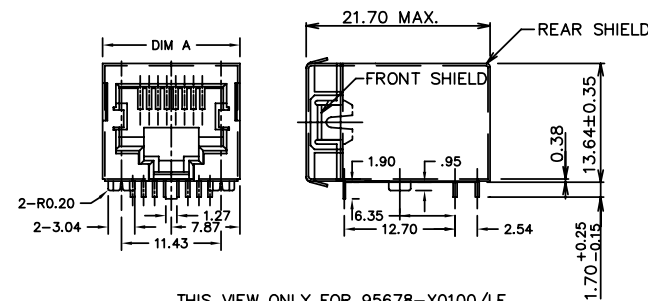
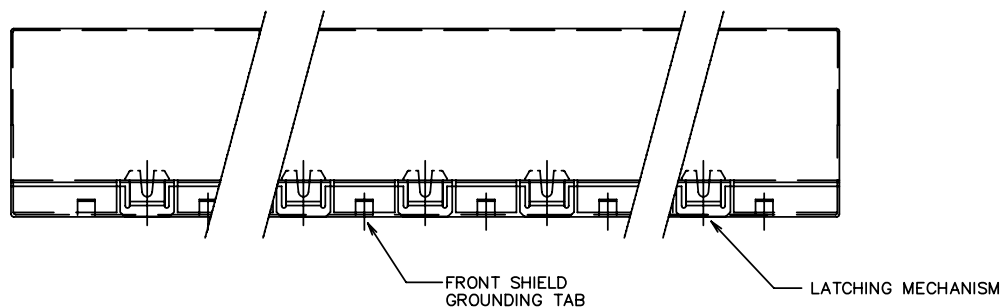
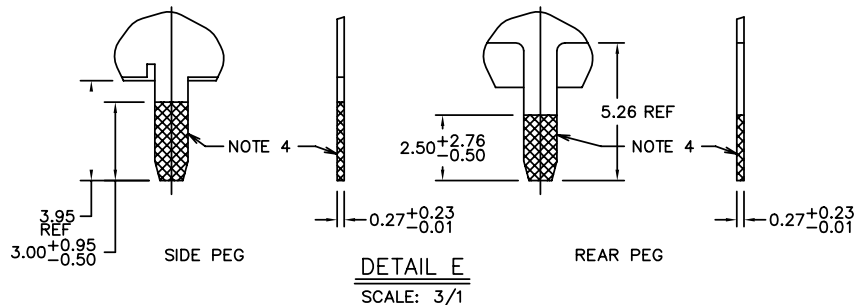
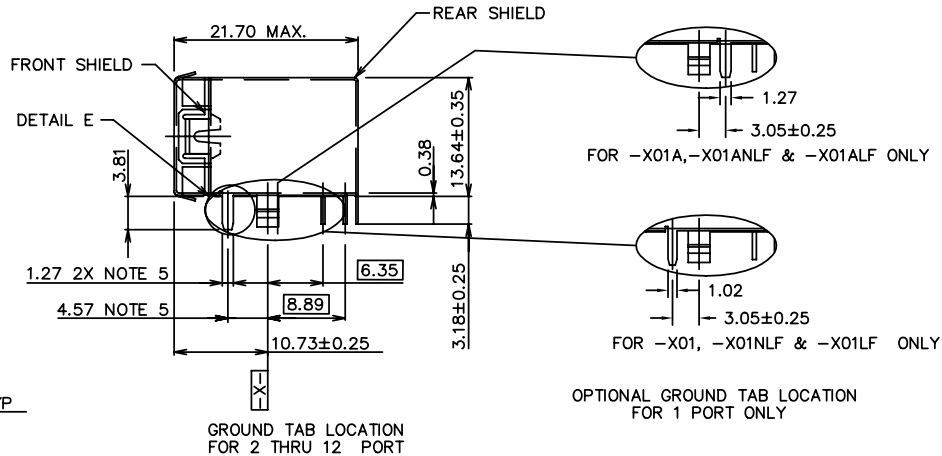
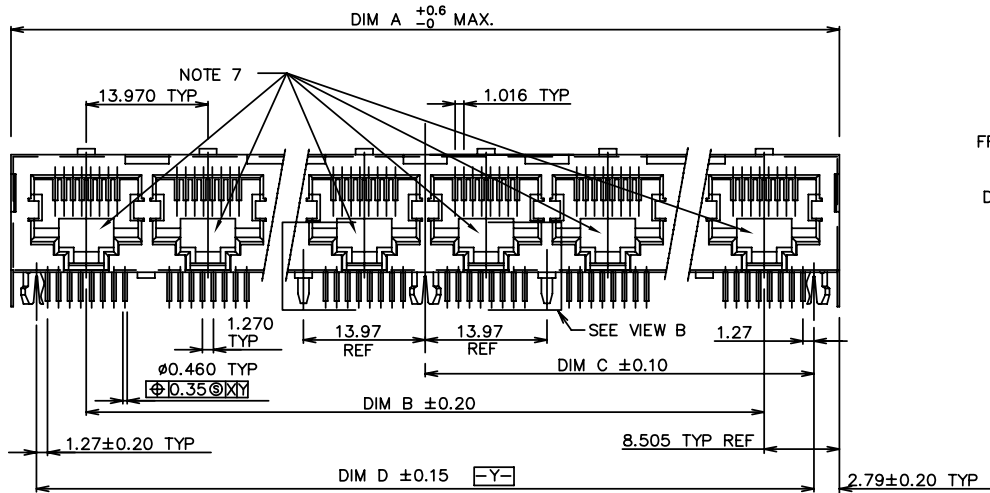


PRODUCT NO.  
SEE TABLE



THIS VIEW ONLY FOR 95678-X0100/LF  
WITH FRONT TONGUE  
NO GROUNDING TABS AND PEGS



mat'l. code		surface		tolerance		projection		product family	
		ISO 1301		ISO406 ISO1101		MM		MOD JACK	
l t r e c n n o d r		date		tolerances unless otherwise specified		scale		title	
H	V90501	CGC	6/30/99	angle	0.x±0.3	1:1		R/A CAT5 GANG JACK ASSY	
J	V03-1103	PJ	10/23/03	0°±2'	0.xx±0.13			8 POS SHIELDED SNAP PEG	
K	N04-0101	MHT	1/12/05		0.xxx±0.051				
L	N06-0225	LONG	8/25/06	dr	L.POTTIEGER	8/30/95		dwg no	
M	N06-0289	LONG	12/06/06	eng	Y.BELOPOLSKY	8/30/95		sheet 1 of 7	
N	N08-0100	SH	09/25/08	chr	Y.BELOPOLSKY	8/30/95		size	
P	ELX-N-007924	SH	2011-11-17	app	Y.BELOPOLSKY	8/30/95		A4	
sheet index		revision	P	P	P	P	P	type Product Customer Drawing	
		sheet	1	2	3	4	5	6	7



PRODUCT NO	PORTS NO	DIA A $\pm 0.60$ $-0.00$	DIM B	DIM C $\pm 0.10$	DIM D $\pm 0.15$	GROUND LEG NUMBER ON THE BACK (VIEW B)	COMMENT
95678-X01 95678-X01LF 95678-X01NLF 95678-X0100 95678-X0100LF	1	15.74	-	5.715	11.43	SEE DIAGRAM ON SHT. 3	NOTE 5
95678-X01A 95678-X01ALF 95678-X01ANLF	1	15.74	-	5.715	11.43		NOTE 5
95678-X02YZ 95678-X02YZLF 95678-X02NYZLF	2	30.98	13.97	12.700	25.40		NO TOOL
95678-X03YZ 95678-X03YZLF 95678-X03NYZLF	3	44.95	27.94	19.685	39.37		NO TOOL
95678-X04YZ 95678-X04YZLF 95678-X04NYZLF	4	58.92	41.91	26.670	53.34		
95678-X05YZ 95678-X05YZLF 95678-X05NYZLF	5	72.89	55.88	33.655	67.31		NO TOOL
95678-X06YZ 95678-X06YZLF 95678-X06NYZLF	6	86.86	69.85	40.640	81.28		NO TOOL
95678-X07YZ 95678-X07YZLF 95678-X07NYZLF	7	100.83	83.82	47.625	95.25		NO TOOL
95678-X08YZ 95678-X08YZLF 95678-X08NYZLF	8	114.80	97.79	54.610	109.22		
95678-X09YZ 95678-X09YZLF 95678-X09NYZLF	9	128.77	111.76	61.595	123.19		NO TOOL
95678-X10YZ 95678-X10YZLF 95678-X10NYZLF	10	142.74	125.73	68.580	137.16		NO TOOL
95678-X11YZ 95678-X11YZLF 95678-X11NYZLF	11	156.71	139.70	75.565	151.13		NO TOOL
95678-X12YZ 95678-X12YZLF 95678-X12NYZLF	12	170.68	153.67	82.550	165.10		NO TOOL

NOTES:

- RECOMMENDED P.C.B THICKNESS 1.60 MM.
- HOUSING MAT'L: HIGH TEMP RESIN.
- CONTACTS: PHOS BRONZE ALLOY UNS-C51000,  $\phi$  0.460 ROUND WIRE, PLATING SEE TABLE.
- SHIELD MAT'L: BRASS ALLOY, 0.25 MM THICK.  
SHIELD PLATING:  
-FOR 95678-X01 THRU 95678-X12YZ  
BRIGHT TIN LEAD, 100u"MIN OVER NICKEL.  
LEAD FREE OPTION:  
-FOR 95678-X01NLF THRU 95678-X12NYZLF  
NICKEL, 30u"MIN WITH SELECTIVE TIN ON SOLDER TAILS. SEE DETAIL E.  
-FOR 95678-X01LF THRU 95678-X12YZLF  
BRIGHT PURE TIN, 80u"MIN OVER NICKEL.
- SEE SIDE VIEW ON SHT. 1 FOR DETAILS.
- ALL DIMENSIONS IN MILLIMETER.
- COMPANY LOGO LOCATED IN THIS AREA.
- PART NUMBERS WITH LF IN THE END ARE LEAD FREE.
- LEAD FREE STATEMENT: THIS PRODUCT MEETS EUROPEAN UNION DIRECTIVES AN OTHER COUNTRY REGULATION AS DESCRIBED IN GS-22-008.
- THE HOUSING TEMPERATURE WITHSTAND EXPOSURE TO 260°C PEAK TEMPERATURE FOR 15 SECONDS IN A WAVE SOLDER APPLICATION WITH A 1.5 MM MINIMUM THICK CIRCUIT BOARD. SEE APPLICATION NOTES/PROCEDURES IF THEY ARE AVAILABLE.
- EQUIVALENT THICKNESS Au AND GXT PLATING HAVE SAME FUNCTION AND THEY ARE ALTERNATIVE BY THE CUSTOEMR .
- PRODUCT SPECIFICATION GS-12-083  
PRODUCT PACKAGING SPECIFICATION GS-14-361

PLATING CODE X	PLATING
0	30u" G.X.T.
1	15u" GOLD.
3	30u" GOLD.
5	50u" GOLD.

(11)  
(11)

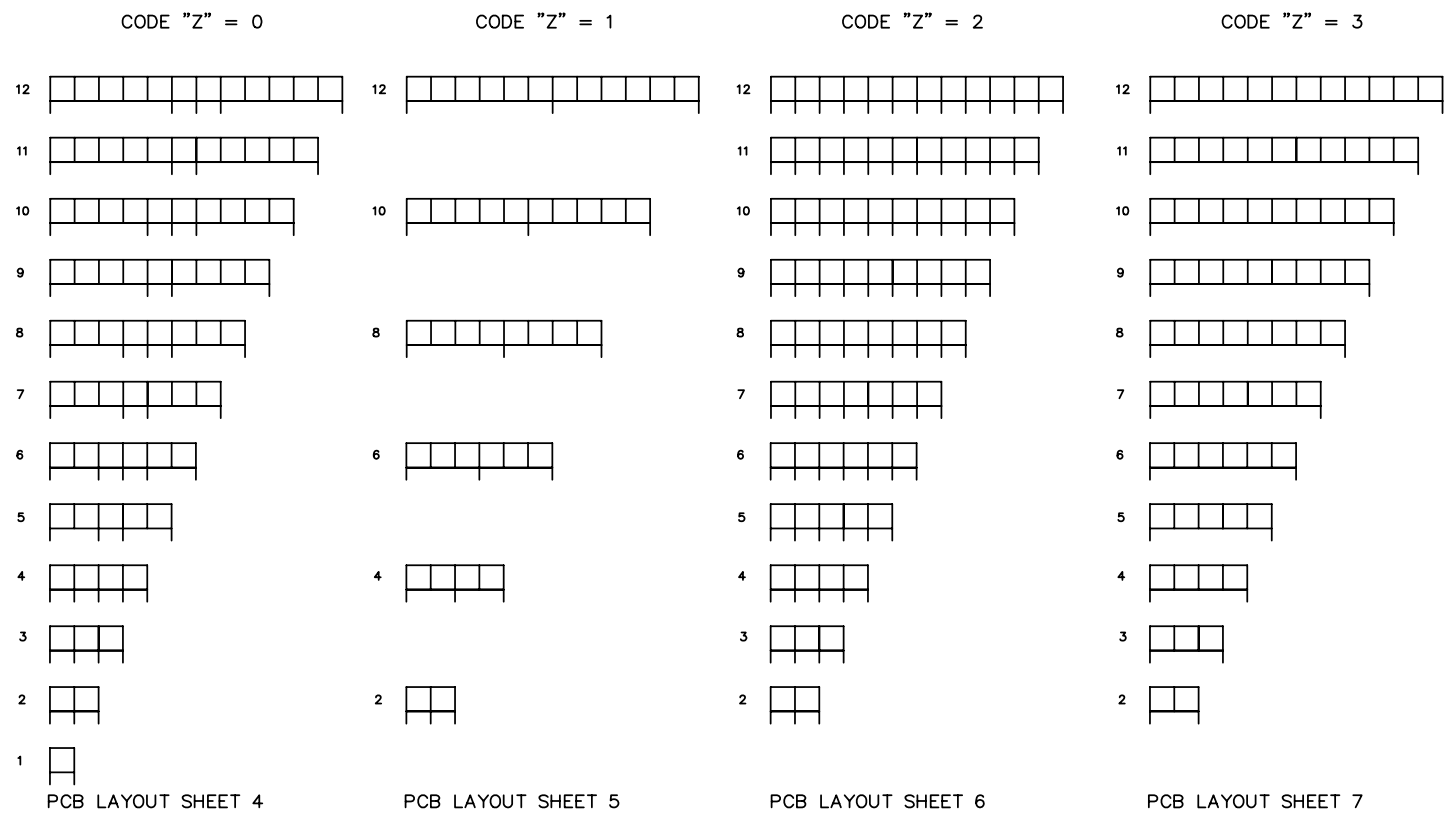
FRONT SHIELD CODE Y
0 = STANDARD GRND. TABS
1 = NO GRND. TABS

REAR SHIELD CODE Z
0 = STANDARD GRND. LEGS
1 = 1 GRND. LEG
2 = ALL GRND. LEGS
3 = NO GRND. LEGS

NOTE: PLEASE CHECK FOR AVAILABILITY, NOT ALL OPTIONS AVAILABLE.

mat'l. code	surface ISO 1301 <input checked="" type="checkbox"/>	tolerance ISO406 ISO1101	projection 	product family MOD JACK
ltr ecn nodr	date	tolerances unless otherwise specified	MM	R/A CAT5 GANG JACK ASSY
P		angle $0^\circ \pm 2'$	scale 1:1	8 POS SHIELDED SNAP PEG
		dr L.POTTIEGER 8/30/95		dwg no 95678
		eng Y.BELOPOLSKY 8/30/95		sheet 2 of 7
		chr Y.BELOPOLSKY 8/30/95		size A4
		app Y.BELOPOLSKY 8/30/95		type Product Customer Drawing
sheet index	revision sheet			

REAR SHIELD (VIEWED FROM PLUG ENTRY SIDE)  
GROUND SOLDER TAIL CONFIGURATION



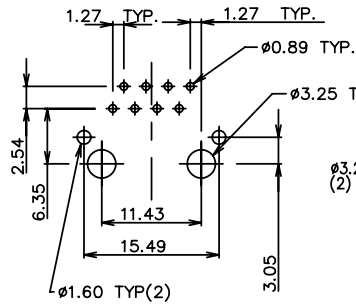
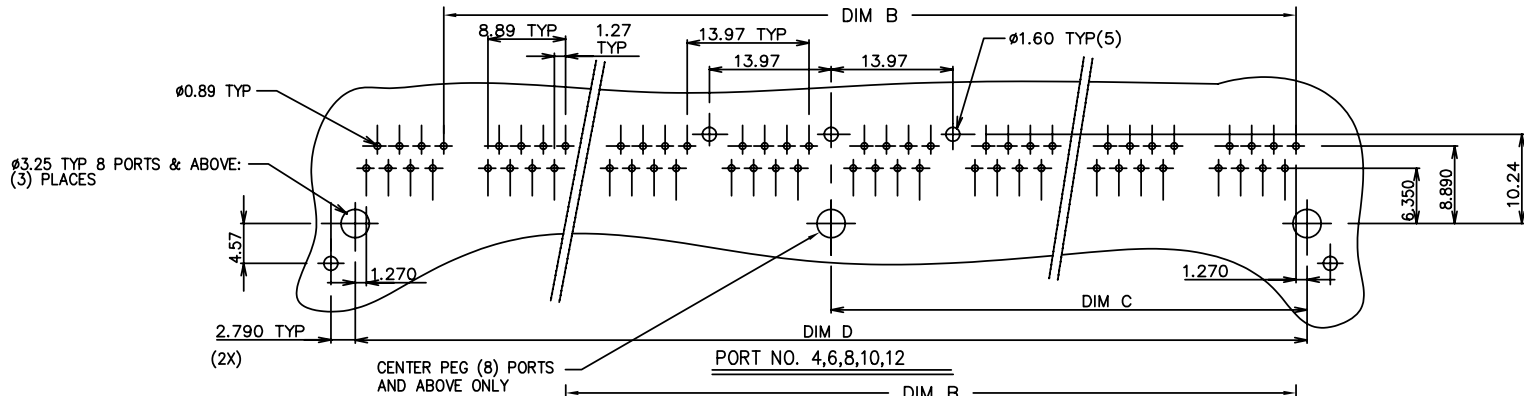
PCB LAYOUT SHEET 4

PCB LAYOUT SHEET 5

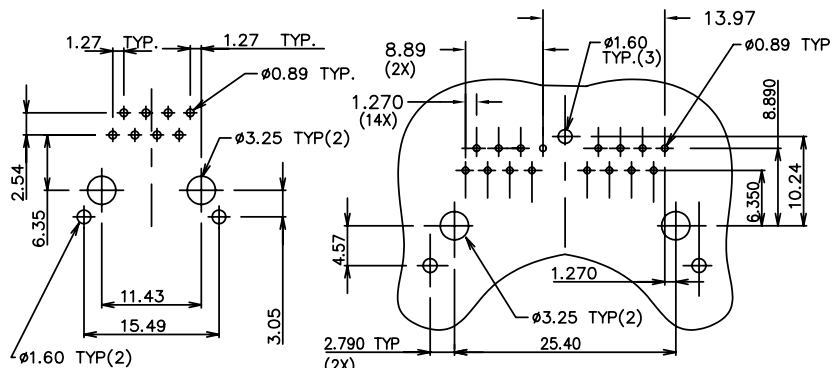
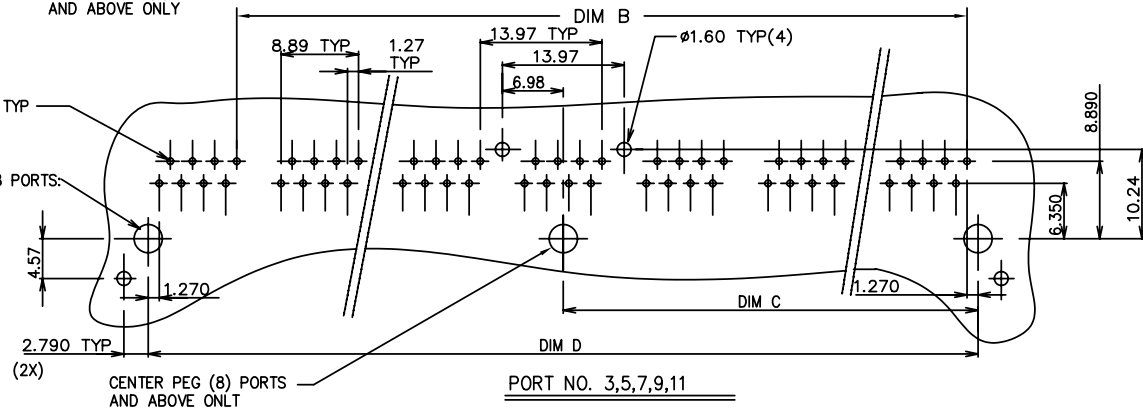
PCB LAYOUT SHEET 6

PCB LAYOUT SHEET 7

mat'l. code	surface ISO 1301 <input checked="" type="checkbox"/>	tolerance ISO406 ISO1101	projection 	product family MOD JACK
trn	ecr	nodr	date	tolerances unless otherwise specified
P	angle	0.x±0.3	MM	R/A CAT5 GANG JACK ASSY
	0°±2'	0.xx±0.13	scale 1:1	8 POS SHIELDED SNAP PEG
		0.xxx±0.051		
	dr	L.POTTIEGER	8/30/95	dwg no
	eng	Y.BELOPOLSKY	8/30/95	sheet 3 of 7
	chr	Y.BELOPOLSKY	8/30/95	size A4
	app	Y.BELOPOLSKY	8/30/95	type Product Customer Drawing
sheet	revision			
index	sheet			



FOR 1-PORT, -X01A & -X01ALF



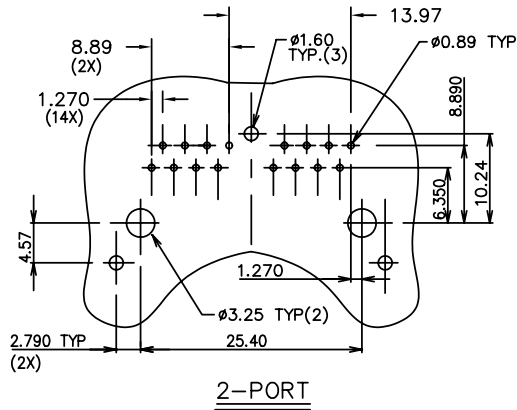
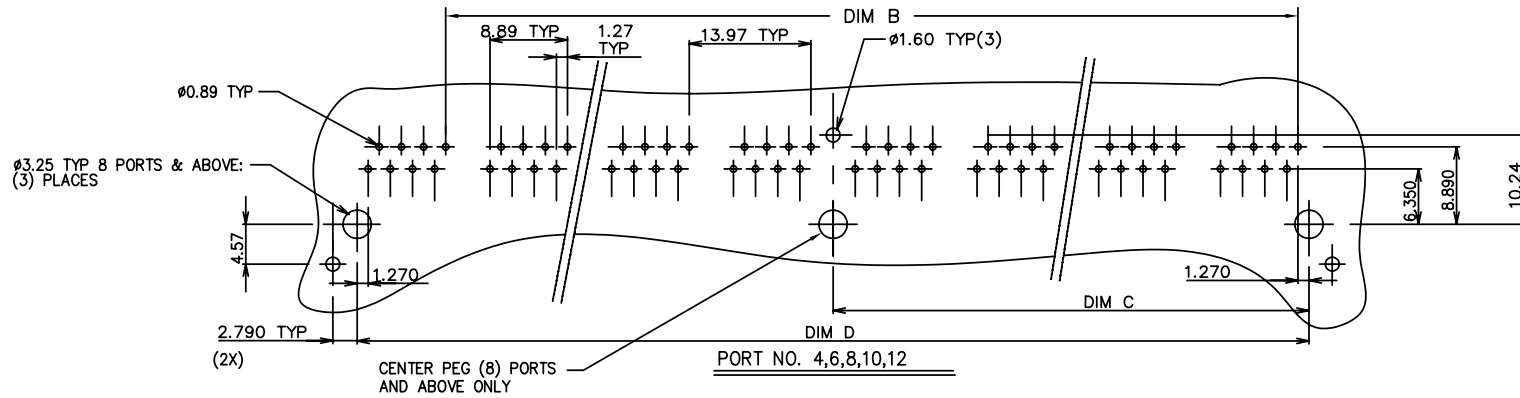
FOR 1-PORT, -X01 & -X01LF

2-PORT

RECOMMENDED P.C.B LAYOUT

CODE "Z" = 0 (STANDARD GROUND LEGS)

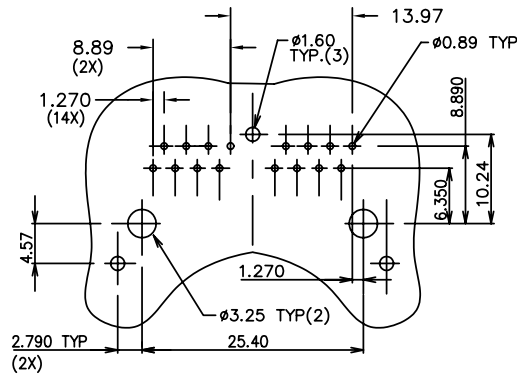
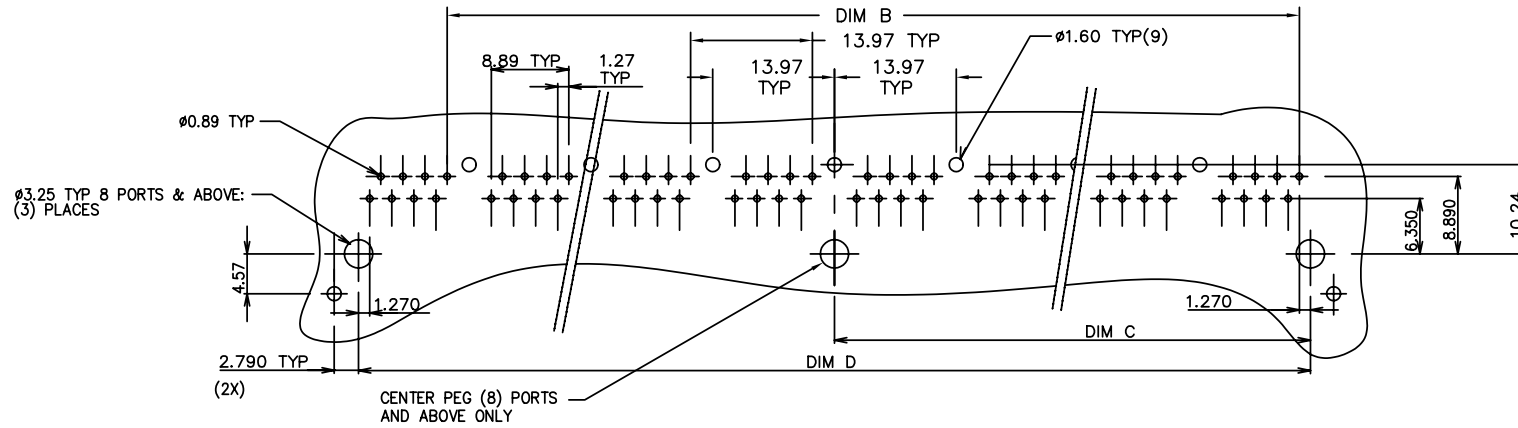
mat'l. code	surface ISO 1301	tolerance ISO406 ISO1101	projection 	product family MOD JACK
ltr ecn nodr date	tolerances unless otherwise specified		MM	title
P	angle 0°±2'	0.x±0.3 0.xx±0.13 0.xxx±0.051	scale 1:1	R/A CAT5 GANG JACK ASSY 8 POS SHIELDED SNAP PEG
dr	L.POTTIEGER	8/30/95		dwg no
eng	Y.BELOPOLSKY	8/30/95		sheet 4 of 7
chr	Y.BELOPOLSKY	8/30/95		size
app	Y.BELOPOLSKY	8/30/95		A4
sheet index	revision sheet			type Product Customer Drawing



RECOMMENDED P.C.B LAYOUT

CODE "Z" = 1 (1 GROUND LEG)

mat'l. code		surface ISO 1301 <input checked="" type="checkbox"/>		tolerance ISO406 ISO1101		projection 		product family MOD JACK	
ltr ecn nodr		date		tolerances unless otherwise specified		title		R/A CAT5 GANG JACK ASSY 8 POS SHIELDED SNAP PEG	
P		angle		0.x±0.3 0.xx±0.13 0.xxx±0.051		MM scale 1:1		sheet 5 of 7 size A4	
dr		L.POTTIEGER		8/30/95				dwg no 95678	
eng		Y.BELOPOLSKY		8/30/95				type Product Customer Drawing	
chr		Y.BELOPOLSKY		8/30/95					
app		Y.BELOPOLSKY		8/30/95					
sheet index		revision sheet							



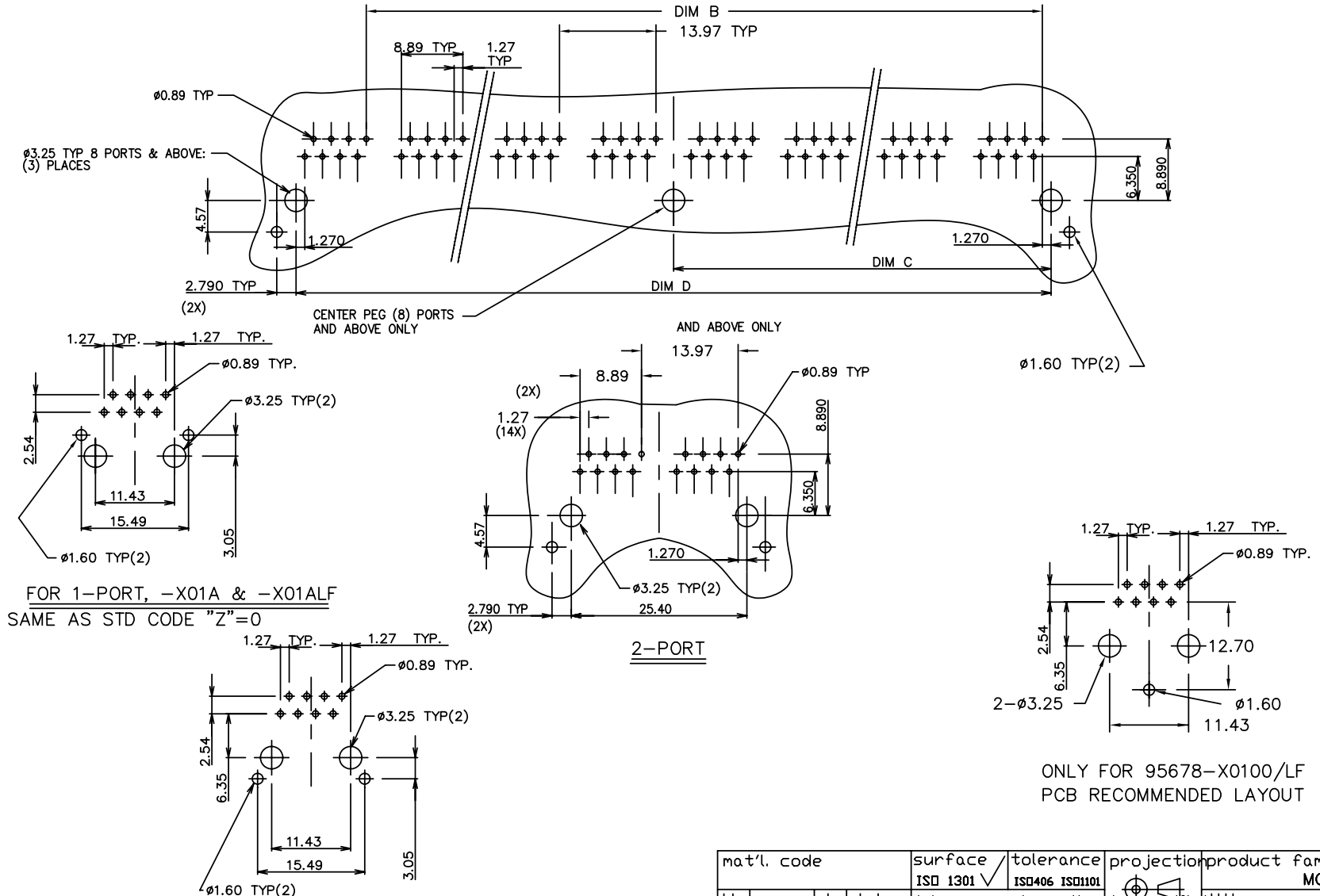
2-PORT

(SAME AS STANDARD CODE "Z"=0)

RECOMMENDED P.C.B LAYOUT

CODE "Z" = 2 (ALL GROUND LEGS)

mat'l. code	surface ISO 1301	tolerance ISO406 ISO1101	projection 	product family MOD JACK
ltr ecn nodr	date	tolerances unless otherwise specified	MM	R/A CAT5 GANG JACK ASSY 8 POS SHIELDED SNAP PEG
P		angle 0°±2'	scale 1:1	dwg no 95678 sheet 6 of 7 size A4
	dr L.POTTIEGER	8/30/95		type Product Customer Drawing
	eng Y.BELOPOLSKY	8/30/95		
	chr Y.BELOPOLSKY	8/30/95		
	app Y.BELOPOLSKY	8/30/95		
sheet index	revision sheet			



FOR 1-PORT, -X01A & -X01ALF  
SAME AS STD CODE "Z"=0

2-PORT

ONLY FOR 95678-X0100/LF  
PCB RECOMMENDED LAYOUT

RECOMMENDED P.C.B LAYOUT

CODE "Z" = 3 (NO GROUND LEGS)

mat'l. code		surface ISO 1301 ✓		tolerance ISO406 ISO1101		projection 		product family MOD JACK	
ltr ecn nodr		date		tolerances unless otherwise specified		MM		title	
P				angle 0°±2'		scale 1:1		R/A CAT5 GANG JACK ASSY 8 POS SHIELDED SNAP PEG	
				0.x±0.3				dwg no	
				0.xx±0.13				sheet 7 of 7	
				0.xxx±0.051				size	
		dr L.POTTIEGER		8/30/95				95678	
		eng Y.BELOPOLSKY		8/30/95				A4	
		chr Y.BELOPOLSKY		8/30/95				type Product Customer Drawing	
sheet index		revision sheet							