

BNC Socket



Specifications:

Connector Type	: BNC Coaxial
Contact Material	: Phosphor Bronze
External Depth	: 34.7mm
External Length / Height	: 15.6mm
External Width	: 14.5mm
Insulator Material	: Polypropylene

Mechanical Characteristics:

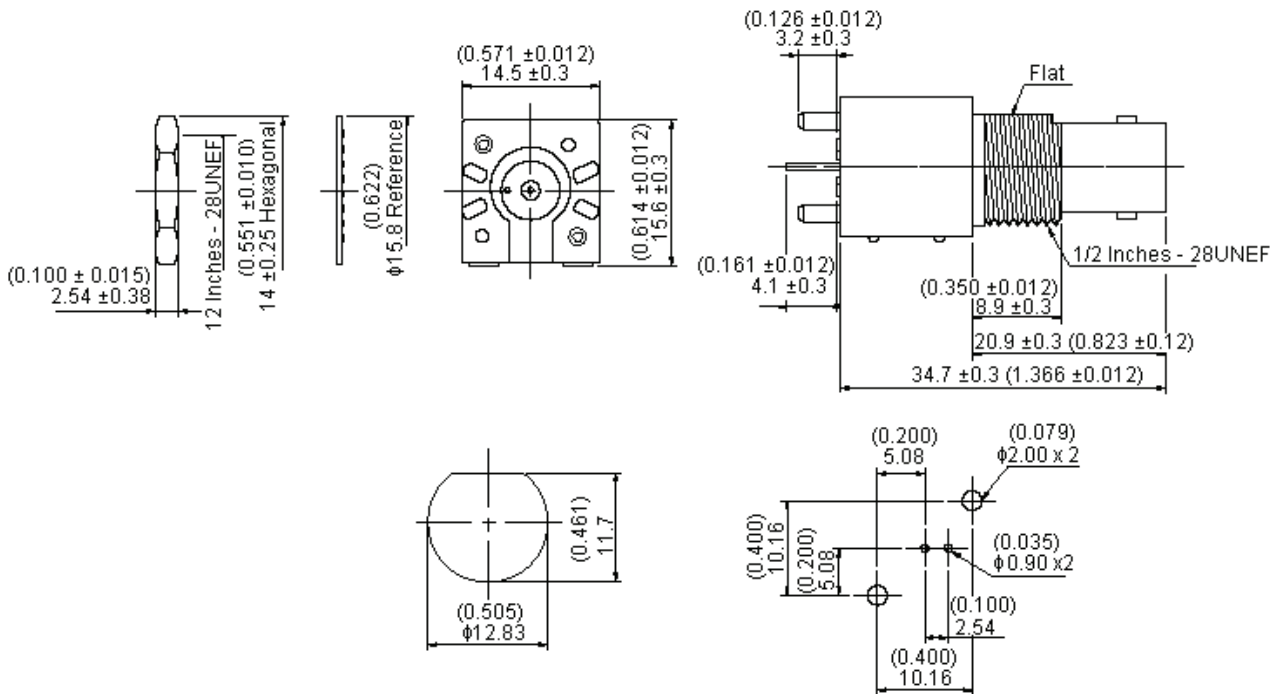
Mating/unmating	: 500 cycles
-----------------	--------------

Electrical Characteristics:

Normal impedance	: 50Ω
Frequency range	: 0Hz to 1GHz
Testing voltage	: 500VRMS
Dielectric withstanding voltage	: 1,500VRMS
Minimum insulation resistance	: 5,000MΩ

Environmental Characteristics:

Temperature range	: -40°C to +60°C
-------------------	------------------



Mounting Hole

Recommended PCB Layout

Dimensions : Millimetres (Inches)

Specification Table:

Item	Description	Material	Finish
1	Mounting Post	Brass	Tin
2	Housing	PBT +30% G.F	White
3	Body	Zinc Alloy	Nickel
4	Solder Pin	Copper Wire	Tin
5	Insulation	Polypropylene	None
6	Centre Contact	Phosphorous Bronze with Gold Plating at Contact Area Tin Plating at Tail	Gold Tin
7	Nut	Brass	Nickel
8	Lock Washer	S50C	

Part Number Table

Description	Part Number
BNC Socket - PCB, Straight	13-60-1 DGZ

Important Notice : This data sheet and its contents (the "Information") belong to the members of the Premier Farnell group of companies (the "Group") or are licensed to it. No licence is granted for the use of it other than for information purposes in connection with the products to which it relates. No licence of any intellectual property rights is granted. The Information is subject to change without notice and replaces all data sheets previously supplied. The Information supplied is believed to be accurate but the Group assumes no responsibility for its accuracy or completeness, any error in or omission from it or for any use made of it. Users of this data sheet should check for themselves the Information and the suitability of the products for their purpose and not make any assumptions based on information included or omitted. Liability for loss or damage resulting from any reliance on the Information or use of it (including liability resulting from negligence or where the Group was aware of the possibility of such loss or damage arising) is excluded. This will not operate to limit or restrict the Group's liability for death or personal injury resulting from its negligence. Multicomp is the registered trademark of the Group. © Premier Farnell plc 2012.