

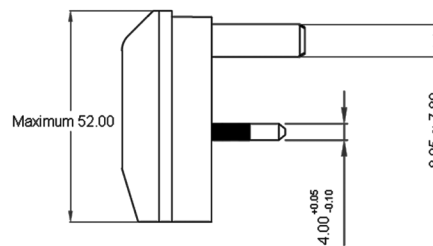
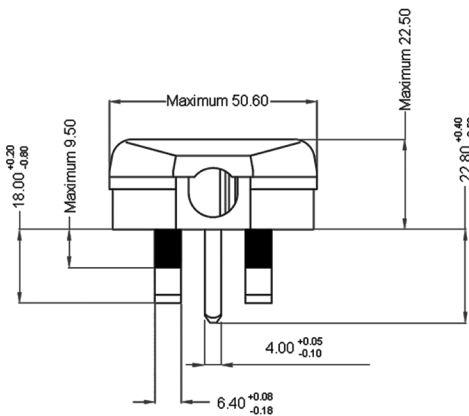
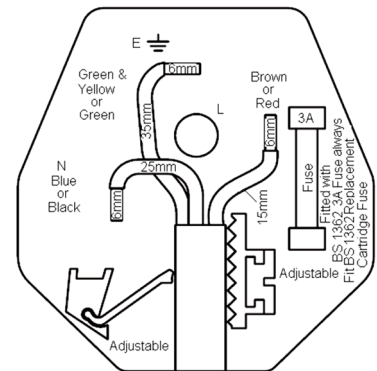
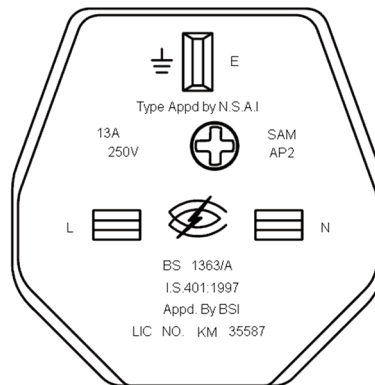
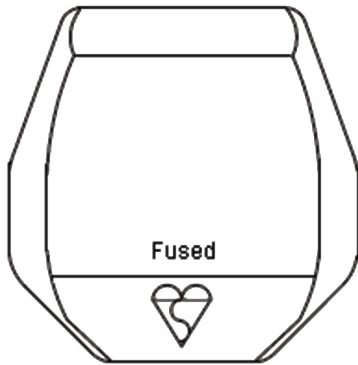
Quick Fit Mains Plug

pro-POWER



Specifications:

Connector Type	: Standard Power Entry
Current Rating	: 5A
Voltage Rating V AC	: 250V
Connector Mounting Orientation	: Cable
Connector Type	: UK Mains
Contact Termination	: Quick Connect
Gender	: Plug
Mounting Type	: Cable
No. of Outlets	: 1



Dimensions : Millimetres

Part Number Table

Description	Part Number
Plug, Quick Fit, 5A, White	5A WHT
Plug, Quick Fit, 5A, Black	5A BLK

Important Notice : This data sheet and its contents (the "Information") belong to the members of the Premier Farnell group of companies (the "Group") or are licensed to it. No licence is granted for the use of it other than for information purposes in connection with the products to which it relates. No licence of any intellectual property rights is granted. The Information is subject to change without notice and replaces all data sheets previously supplied. The Information supplied is believed to be accurate but the Group assumes no responsibility for its accuracy or completeness, any error in or omission from it or for any use made of it. Users of this data sheet should check for themselves the Information and the suitability of the products for their purpose and not make any assumptions based on information included or omitted. Liability for loss or damage resulting from any reliance on the Information or use of it (including liability resulting from negligence or where the Group was aware of the possibility of such loss or damage arising) is excluded. This will not operate to limit or restrict the Group's liability for death or personal injury resulting from its negligence. pro-POWER is the registered trademark of the Group. © Premier Farnell plc 2012.

Dimensions : Millimetres

www.element14.com
 www.farnell.com
 www.newark.com
 www.cpc.co.uk

pro-POWER