

PSU, In-Line

15V, 800mA



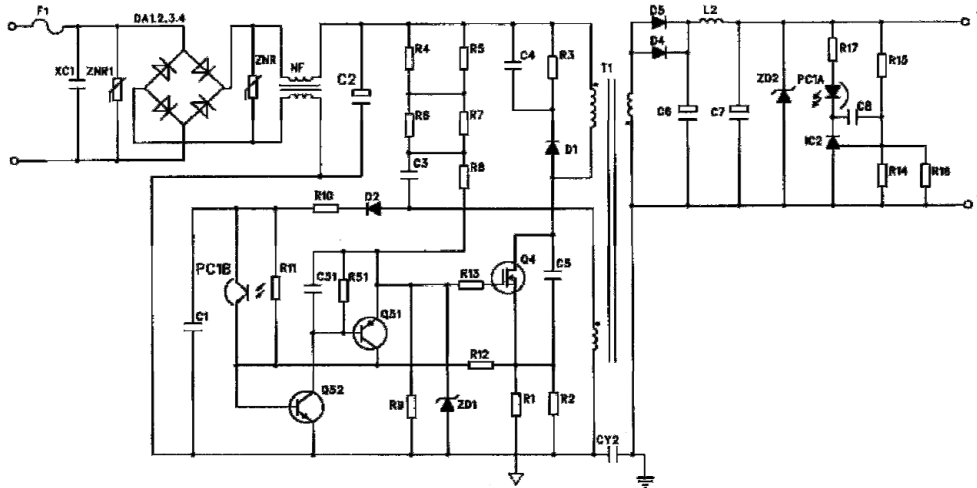
Specifications:

Input Volts	: 100V to 240V AC
Frequency	: 50Hz to 60Hz
Input Current (Min.)	: 100mA max
Input Current (Max.)	: 380mA RMS
Leakage Current	: 0.25mA
Efficiency (Min)	: 70%
O/P Volts No Load	: 15V DC
O/P Volts (+/-5%)	: 15V DC
O/P Current	: 700mA
Over Voltage (Shut Down)	: 17V to 19V DC
Ripple & Noise (P-P)	: 120mV
Operating Temperature	: 0°C to +40°C
Storage Temperature	: -10°C to +70°C
Flash Test (Input To Output)	: 3KV AC
Input Connector	: 2 Pin Euro
Lead Length	: 2 Mtr.
Output Connector	: 2.1mm x 5.5mm x 12mm
Output Polarity	: N/A
Lead Length	: 1.8 Mtr.
Length	: 91mm
Width	: 68mm
Depth	: 53.5mm
Mounting Centres	: 105mm
Weight	: 200gm
Short Circuit (Shut Down & Auto Restart)	

PSU, In-Line 15V, 800mA



SCHEMATIC



Dimensions: Millimetres

Part Number Table

Description	Part Number
PSU, In-Line, 15V, 800mA	T2400 - AD

Important Notice : This data sheet and its contents (the "Information") belong to the members of the Premier Farnell group of companies (the "Group") or are licensed to it. No licence is granted for the use of it other than for information purposes in connection with the products to which it relates. No licence of any intellectual property rights is granted. The Information is subject to change without notice and replaces all data sheets previously supplied. The Information supplied is believed to be accurate but the Group assumes no responsibility for its accuracy or completeness, any error in or omission from it or for any use made of it. Users of this data sheet should check for themselves the Information and the suitability of the products for their purpose and not make any assumptions based on information included or omitted. Liability for loss or damage resulting from any reliance on the Information or use of it (including liability resulting from negligence or where the Group was aware of the possibility of such loss or damage arising) is excluded. This will not operate to limit or restrict the Group's liability for death or personal injury resulting from its negligence. Multicomp is the registered trademark of the Group. © Premier Farnell plc 2012.

