

Adaptor Mini DP To HDMI

pro-SIGNAL



Specifications:

Cable Wiring

32AWG (7/0.08mm TCu) × 1P + D (7/0.08mm TCu) + AM × 5C + 32AWG (7/0.08mm TCu) × 5C + AD (7/0.08mm TCu) + B (16 × 7/0.12mm TCu) (Coverage 85%)

Jacket material : PVC OD: 4.8 ±0.1m
 Cable length : 0.15m
 Cable colour : White

Connector A

Mini DisplayPort 20P male solder type

Insulation : White
 Contact : Brass, gold plated
 Shell : Fe, nickel plated

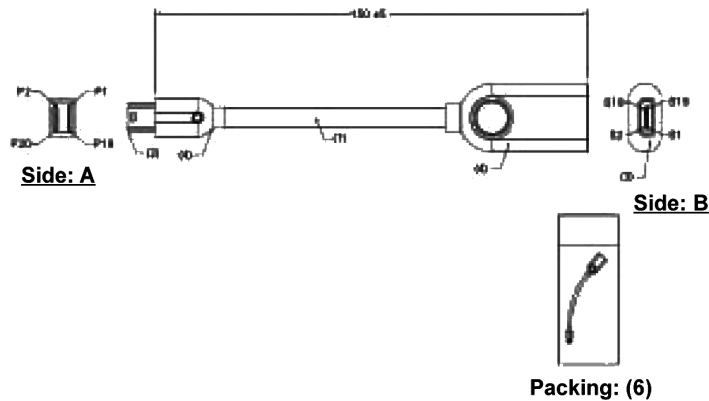
Connector B

HDMI 19P female solder type

Insulation : Black
 Contact : Phosphor bronze, gold plated
 Shell : Fe, gold plated
 Over mould : Assembly, white

Parameter Settings

Conductive resistance : 1Ω
 Minimum insulative resistance : 10MΩ
 Hi-Pot : DC 300V/10ms, 1.5mA/I, 50Hz, 0.03s



Dimensions : Millimetres

Part Number Table

| Description | Part Number |
|---------------------------------|-------------|
| Adaptor, Mini DP To HDMI, 150mm | HK-GDP01 |

Important Notice : This data sheet and its contents (the "Information") belong to the members of the Premier Farnell group of companies (the "Group") or are licensed to it. No licence is granted for the use of it other than for information purposes in connection with the products to which it relates. No licence of any intellectual property rights is granted. The Information is subject to change without notice and replaces all data sheets previously supplied. The Information supplied is believed to be accurate but the Group assumes no responsibility for its accuracy or completeness, any error in or omission from it or for any use made of it. Users of this data sheet should check for themselves the Information and the suitability of the products for their purpose and not make any assumptions based on information included or omitted. Liability for loss or damage resulting from any reliance on the Information or use of it (including liability resulting from negligence or where the Group was aware of the possibility of such loss or damage arising) is excluded. This will not operate to limit or restrict the Group's liability for death or personal injury resulting from its negligence. pro-SIGNAL is the registered trademark of the Group. © Premier Farnell plc 2012.

www.element14.com
 www.farnell.com
 www.newark.com
 www.cpc.co.uk

pro-SIGNAL