



Specifications:

Inductance	: 1.8 μ H
Inductance Tolerance	: \pm 20%
DC Resistance Max	: 3,430 $\mu\Omega$
DC Current Rating	: 19A
Inductor Case Style	: SMD
No. of Pins	: 2
Lead Spacing	: 3mm
External Depth	: 12.6mm
External Length / Height	: 4.6mm
External Width	: 12.6mm
Resonant Frequency	: 300kHz
Series	: SC

Electrical Characteristics

300KHz 0.25V	L	1.8 μ H \pm 20%
Ta 25°C	DCR	3.43m Ω \pm 7%
300KHz 0.25V I _{rms} = 16A (Max.)	L at I _{rms}	1.54 μ H (Reference)
300KHz 0.25V I _{max} = 26A (Maximum)	L at I _{max}	1.34 μ H (Reference)

Operating temperature: -40°C to +150°C

Note:

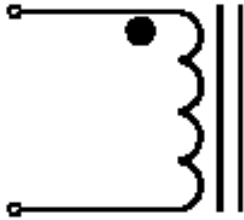
I_{rms} : DC current rating at 50°C surface temperature raise (typical)

I_{max} : DC current rating at 100°C surface temperature raise (typical)

Material List

No.	Item	Material Description
1	Core	SMF430/105-SF56Q-GT; SPF120-SF56Q-GT
2	Wire	FW031240054504T5-A28
3	Winding	4.5TS
4	Taping	SC5015/SC5018 800 Pieces/Reel
5	Marking	1R8 YYWW

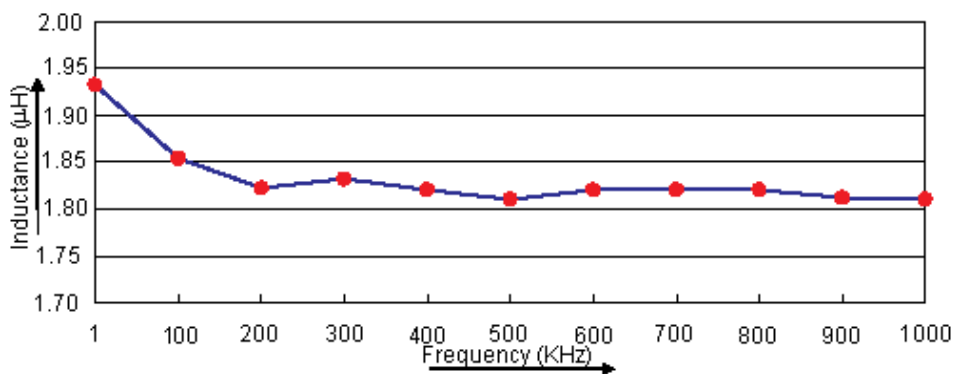
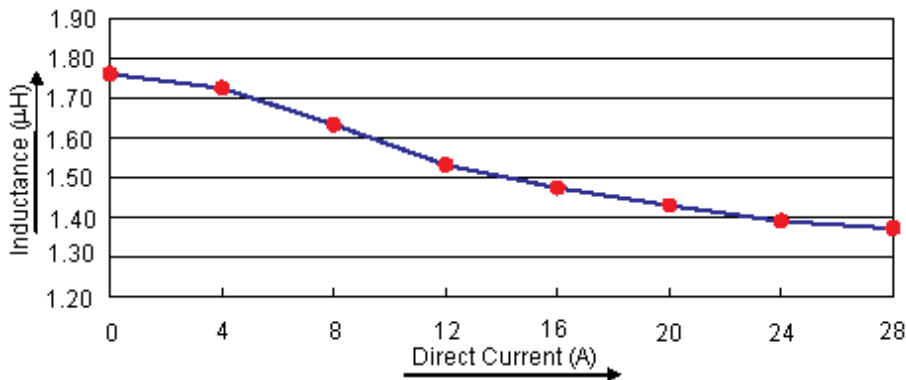
Schematic Diagram



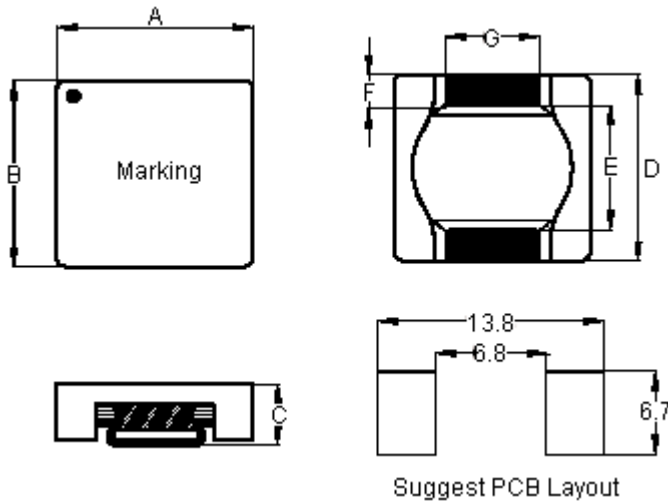
Note:

- 1. Wire FW031240054504T5-A28
- 2. 4.5TS

Electric Characteristics



Configurations and Dimensions



A	12.6 ±0.4mm	-
B	12.6 ±0.4mm	-
C	4.6 ±0.4mm	-
D	12.7 ±0.4mm	-
E	7.6 ±0.4mm	-
F	2.4mm	Reference
G	5 ±0.4mm	-

Marking: 1R8

1. The long pin is the beginning of winding. YYWW

Dimensions : Millimetres

Part Number Table

Description	Part Number
Inductor, 1.8µH, 20%,19A	MCSC5018-1R8MU

Important Notice : This data sheet and its contents (the "Information") belong to the members of the Premier Farnell group of companies (the "Group") or are licensed to it. No licence is granted for the use of it other than for information purposes in connection with the products to which it relates. No licence of any intellectual property rights is granted. The Information is subject to change without notice and replaces all data sheets previously supplied. The Information supplied is believed to be accurate but the Group assumes no responsibility for its accuracy or completeness, any error in or omission from it or for any use made of it. Users of this data sheet should check for themselves the Information and the suitability of the products for their purpose and not make any assumptions based on information included or omitted. Liability for loss or damage resulting from any reliance on the Information or use of it (including liability resulting from negligence or where the Group was aware of the possibility of such loss or damage arising) is excluded. This will not operate to limit or restrict the Group's liability for death or personal injury resulting from its negligence. Multicomp is the registered trademark of the Group. © Premier Farnell plc 2012.