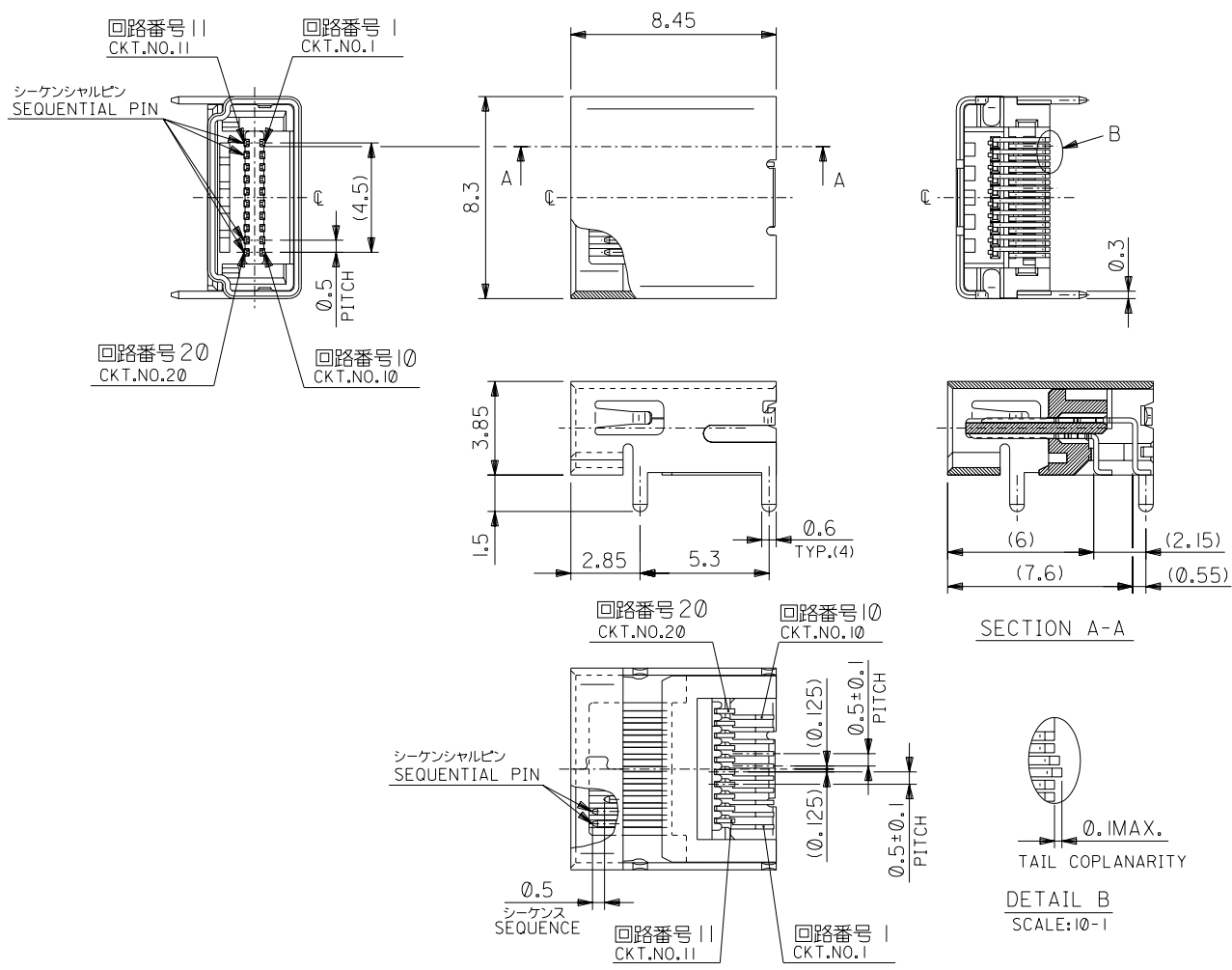


DWG. NO. SD-501014-001



NOTE:

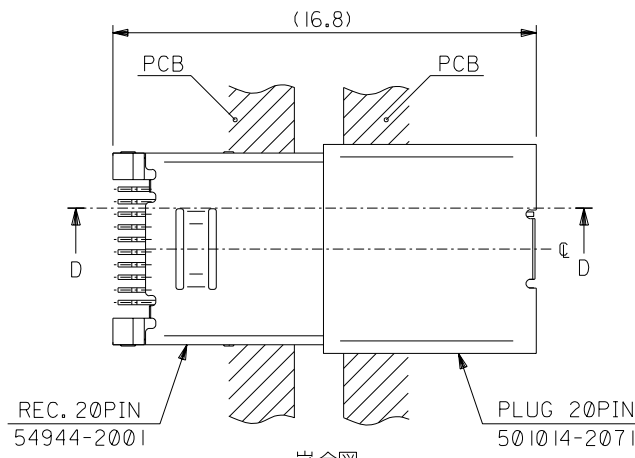
1. 適合リセ番号: 54944-20\*\*, 51283-20\*\*  
(R/A TYPE) (STRAIGHT TYPE)  
 APPRlicable REC. NO.: 54944-20\*\*, 51283-20\*\*  
(R/A TYPE) (STRAIGHT TYPE)
2. 材質  
 MATERIAL
  - 2-1. ハウジング: ガラス入り耐熱樹脂  
 94V-0, 黒色  
 HOUSING: G.F.HEAT RESISTANT PLASTIC  
 94V-0,BLACK COLOR
  - 2-2. ターミナル: 銅合金  
 TERMINAL COPPER ALLOY
  - 2-3. プラグ シールド: ステンレス鋼  
 PLUG SHIELD STAINLESS STEEL
3. メッキ仕様  
 PLATING
  - 3-1. ターミナル  
 TERMINAL
    - 3-1-1. 接点部: 金メッキ 0.1 MICROMETER MIN.  
 CONTACT AREA GOLD  
 :パラジウムニッケルメッキ 0.2 MICROMETER MIN.  
 PALLADIUM-NICKEL
    - 3-1-2. 半田付け部: 錫メッキ 1.0 MICROMETER MIN.  
 SOLDER TAIL AREA TIN
    - 3-1-3. 下地メッキ: ニッケルメッキ 1.5 MICROMETER MIN.  
 UNDER-PLATING NICKEL
  - 3-2. プラグ シールド  
 PLUG SHIELD
    - 3-2-1. 錫メッキ: 1.0 MICROMETER MIN.  
 TIN
    - 3-2-2. 下地メッキ: ニッケルメッキ 1.0 MICROMETER MIN.  
 UNDER-PLATING NICKEL
4. 本製品は 55768-20\*\* の鉛フリー品である。  
 THIS PRODUCT IS LEAD FREE OF 55768-20\*\*.

DO NOT SCALE DRAWING

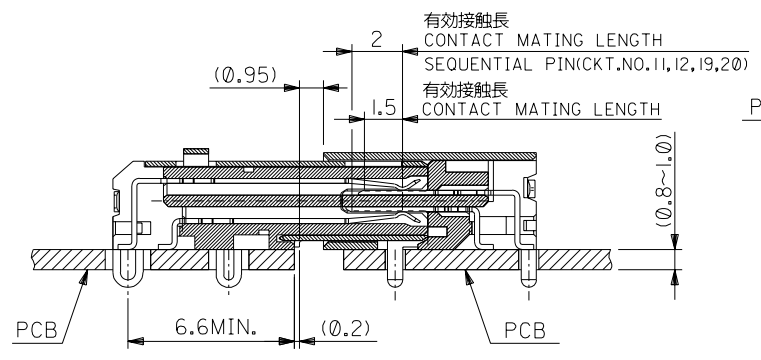
EC NO. DRWN: CHK: APPR:		EC NO. DRWN: CHK: APPR:		EC NO. DRWN: CHK: APPR:		EC NO. DRWN: CHK: APPR:		EC NO. 04/05/11 EC NO. J2004-4159 DRWN: T.UENO CHK: M.SASAO APPR: M.SASAO		MATERIAL 材料 # FINISH 仕上げ # WIRE RANGE 適用電線範囲 # INS. RANGE 被覆外径 #		GENERAL TOLERANCES: (UNLESS SPECIFIED) 一般公差 10 UNDER 未満 ±0.2 10 OVER 以上 30 UNDER 未満 ±0.25 30 OVER 以上 ±0.3 ANGLE 角度 ±3°		SCALE 5-1 DESIGN UNITS <input checked="" type="checkbox"/> mm <input type="checkbox"/> INCH THIRD ANGLE PROJECTION <input checked="" type="checkbox"/> <input type="checkbox"/>		DIMENSIONS: <input type="checkbox"/> mm <input type="checkbox"/> INCH <input type="checkbox"/> mm <input checked="" type="checkbox"/> mm ONLY SHT REV REVISION CAD ONLY		TITLE: 0.5 I/O CONN. PLUG HS'G ASS'Y 20CKT. -LEAD FREE- MOLEX MOLEX INCORPORATED		CAD FILENAME SD-501014-001.S01 MATERIAL NO. SEE CHART DRAWING NO. SD-501014-001 SHEET NO. 1 OF 2		THIS DRAWING CONTAINS INFORMATION THAT IS PROPRIETARY TO MOLEX INCORPORATED AND SHOULD NOT BE USED WITHOUT WRITTEN PERMISSION.		SIZE B	
----------------------------------	--	----------------------------------	--	----------------------------------	--	----------------------------------	--	---	--	---	--	--	--	---	--	--	--	---	--	---	--	--	--	--------	--

SD-501014-001.501

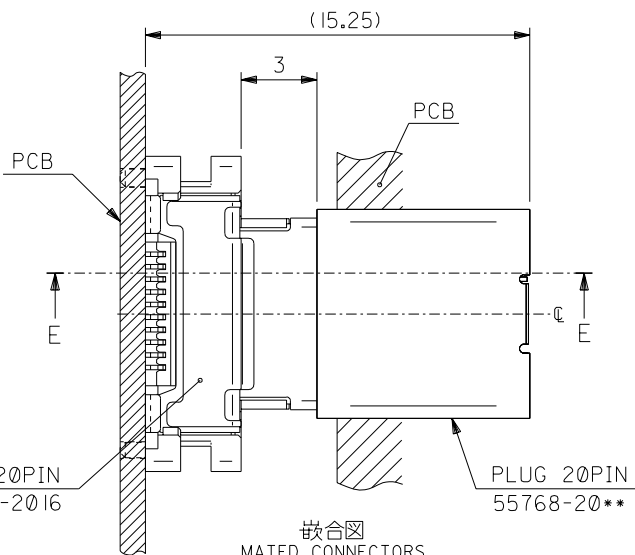
DWG. NO. SD-501014-001



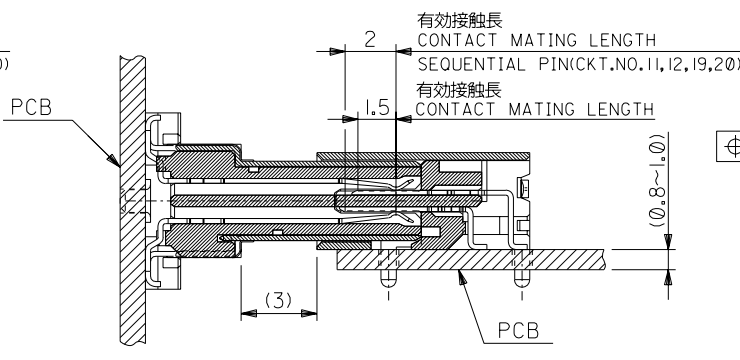
嵌合図  
MATED CONNECTORS  
リセ側：ライトアングルタイプ  
REC. SIDE : R/A TYPE



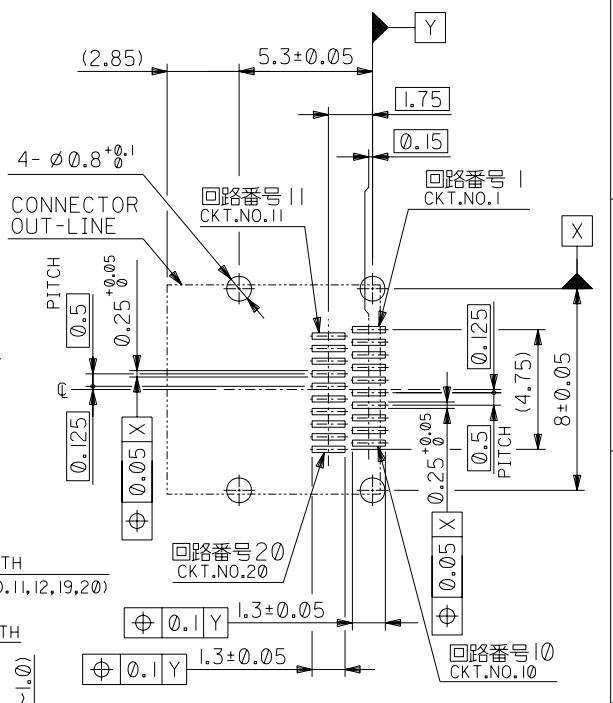
SECTION D-D



嵌合図  
MATED CONNECTORS  
リセ側：ストレートタイプ  
REC. SIDE : STRAIGHT TYPE



SECTION E-E



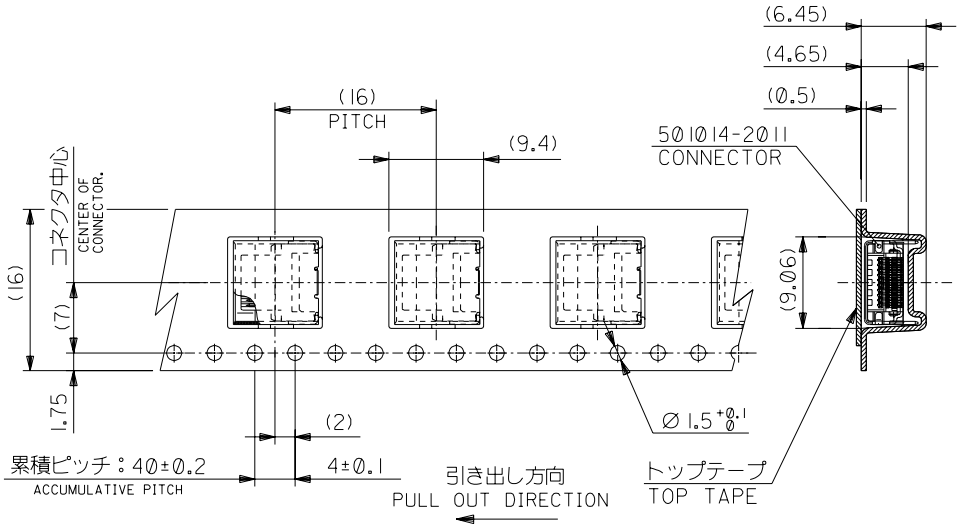
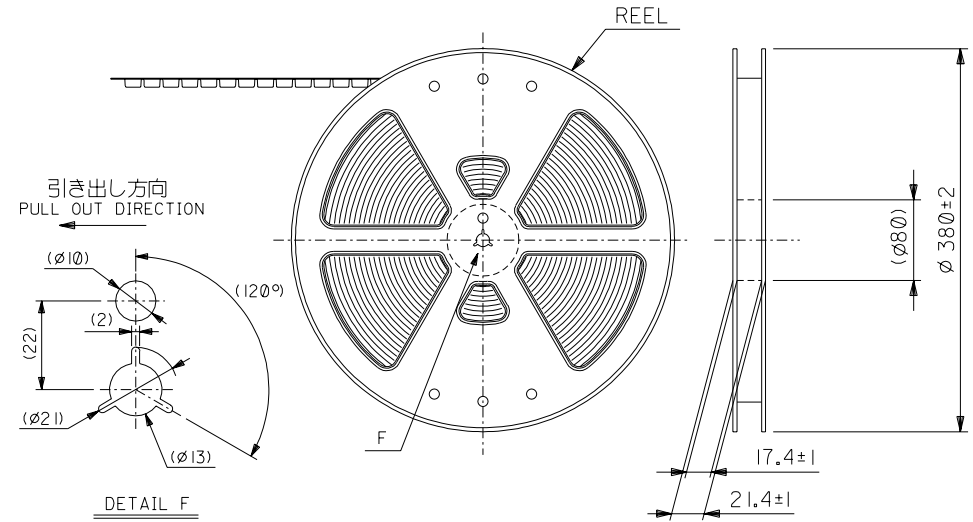
基板穴推奨寸法 (部品実装側)  
RECOMMENDED P.C.B LAYOUT (MOUNTING SIDE)

DO NOT SCALE DRAWING

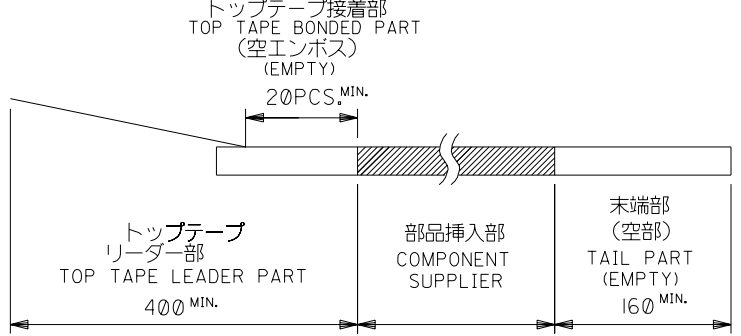
EC NO. DRWN: CH'K: APPR:		EC NO. DRWN: CH'K: APPR:		EC NO. DRWN: CH'K: APPR:		EC NO. DRWN: CH'K: APPR:		EC NO. DRWN: CH'K: APPR:		RELEASED '04/05/11 EC NO. J2004-4159 DRWN: T.UENO CH'K: M.SASAO APPR: M.SASAO		MATERIAL 材料 #		GENERAL TOLERANCES: (UNLESS SPECIFIED) 一般公差 10 UNDER 未滿 ±0.2 10 OVER 30 UNDER 未滿 ±0.25 30 OVER 以上 ±0.3 WIRE RANGE 適用電線範囲 # ANGLE 角度 ±3°		SCALE 5-1 DESIGN UNITS <input checked="" type="checkbox"/> mm <input type="checkbox"/> INCH DRAWN BY & DATE T.UENO '04/05/11 CHECKED BY & DATE M.SASAO '04/05/11 APPROVED BY & DATE M.SASAO '04/05/11 CAD FILENAME SD-501014-001.S02		DIMENSIONS: <input type="checkbox"/> mm <input type="checkbox"/> INCH <input checked="" type="checkbox"/> mm ONLY THIRD ANGLE PROJECTION TITLE: 0.5 I/O CONN. PLUG HS'G ASS'Y 20CKT. -LEAD FREE- MOLEX INCORPORATED		SHT 2 REV REVISION ON CAD ONLY							
REV 0		INS. RANGE 被覆外径 #		MATERIAL 材料 #		FINISH 仕上り #		GENERAL TOLERANCES: (UNLESS SPECIFIED) 一般公差		SCALE 5-1		DESIGN UNITS <input checked="" type="checkbox"/> mm <input type="checkbox"/> INCH		DRAWN BY & DATE T.UENO '04/05/11		CHECKED BY & DATE M.SASAO '04/05/11		APPROVED BY & DATE M.SASAO '04/05/11		CAD FILENAME SD-501014-001.S02		MATERIAL NO. SEE CHART		DRAWING NO. SD-501014-001		SHEET NO. 2	

SD-501014-001.502

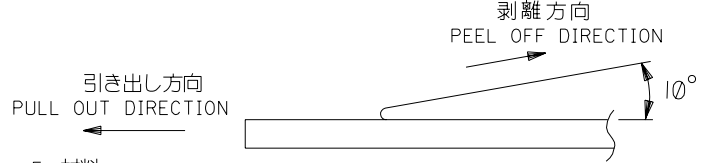
DWG. NO. SD-501014-002



- 注記  
NOTES
- 製品番号 501014-2011 の詳細寸法については、SD-501014-001 を参照下さい。  
IN THE PACKAGE, PART NO. 501014-2011 RE DETAILED DIMENSIONS, SEE SD-501014-001.
  - 梱包数量 : 900個/リール  
NUMBER OF CONNECTORS : 900 PCS/REEL
  - リードテープ長さ  
LEAD TAPE LENGTH



- トップテープの剥離強度 : (剥離方向は下図参照)  
PEELING OFF FORCE OF TOP TAPE (PEELING DIRECTION AS SHOWN IN FOLLOWING FIG.)  
0.1N ~ 1.3N {10gf ~ 130gf}  
尚、本規格値は、出荷時に適用。  
(但し、輸送時に剥離が発生しない事。)  
THIS REQUIREMENT SHOULD BE APPLIED AT SHIPMENT  
(PEEL OFF SHOULD NOT BE ALLOWED, DURING TRANSPORTATION)



- 材料  
MATERIAL  
キャリアテープ : ポリプロピレン (PP)  
CARRIER TAPE : POLYPROPYLENE (PP)  
トップテープ : PET, PE, PEF  
TOP TAPE : PET, PE, PEF  
リール : ポリスチレン  
REEL : POLYSTYRENE

- 本製品は 55768-2091 の鉛フリー品である。  
THIS PRODUCT IS LEAD FREE OF 55768-2091.

20	501014-2011	501014-2071	501014-***7
CKT.	CONNECTOR	MATERIAL NO.	MODEL NO.
DIMENSIONS:		SHT	REV
<input type="checkbox"/> mm <input type="checkbox"/> INCH <input type="checkbox"/> mm <input type="checkbox"/> INCH		<input checked="" type="checkbox"/> mm ONLY	REVISE ON CAD ONLY

EC NO.	REVISED '04/05/26
DRWN: CH'K: APPR:	EC NO. J2004-4439
	DRWN: T.UENO
	CH'K: M.SASAO
	APPR: M.SASAO
EC NO.	RELEASED '04/05/11
DRWN: CH'K: APPR:	EC NO. J2004-4159
	DRWN: T.UENO
	CH'K: M.SASAO
	APPR: M.SASAO
EC NO.	
DRWN: CH'K: APPR:	

MATERIAL 材料	SEE NOTES
FINISH 仕上げ	—
WIRE RANGE 適用層線範囲	—
INS. RANGE 被覆外径	—

GENERAL TOLERANCES: (UNLESS SPECIFIED) 一般公差	SCALE	DESIGN UNITS	THIRD ANGLE PROJECTION
10 UNDER 未滿	—	<input checked="" type="checkbox"/> mm <input type="checkbox"/> INCH	<input type="checkbox"/> THIRD ANGLE <input checked="" type="checkbox"/> PROJECTION
10 OVER 以上	±0.2		
30 UNDER 未滿	±0.25		
30 OVER 以上	±0.3		
ANGLE 角度	±3°		

DRAWN BY & DATE T.UENO '04/05/11		TITLE: EMBOSSD TAPE PACKAGE FOR 501014 -LEAD FREE-	
CHECKED BY & DATE M.SASAO '04/05/11		MATERIAL NO. SD-501014-002	
APPROVED BY & DATE M.SASAO '04/05/11		DRAWING NO. SD-501014-002	
CAD FILENAME SD-501014-002.S01		SHEET NO. 1 OF 1	
MATERIAL NO. SEE CHART		SIZE B	

THIS DRAWING CONTAINS INFORMATION THAT IS PROPRIETARY TO MOLEX INCORPORATED AND SHOULD NOT BE USED WITHOUT WRITTEN PERMISSION.

DO NOT SCALE DRAWING

SD-501014-002.501