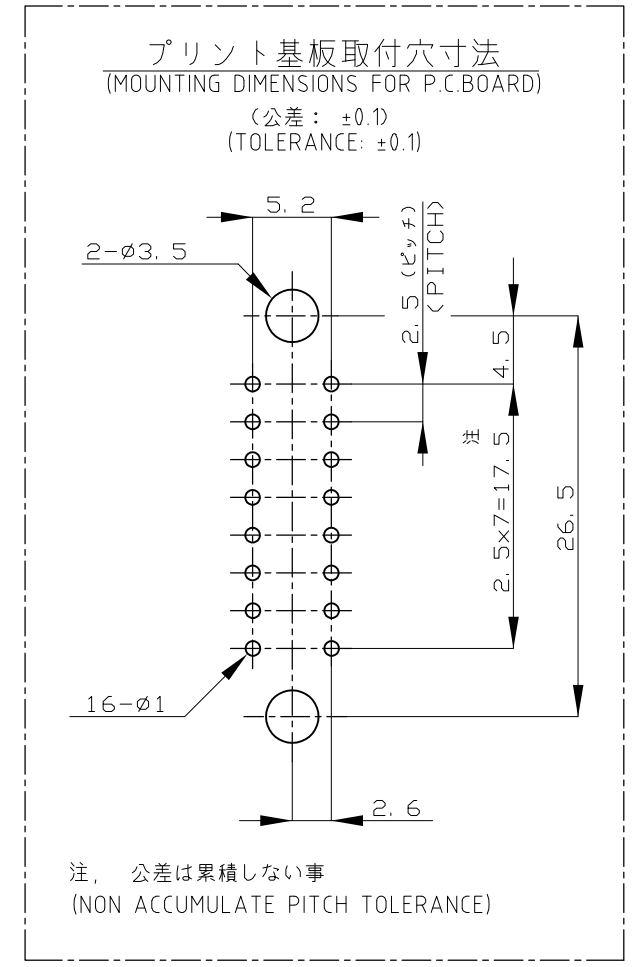
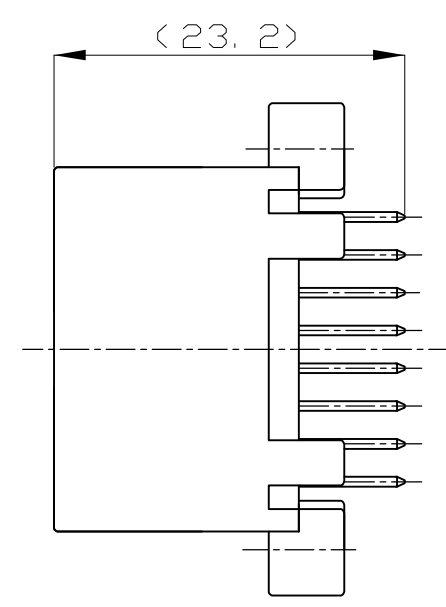
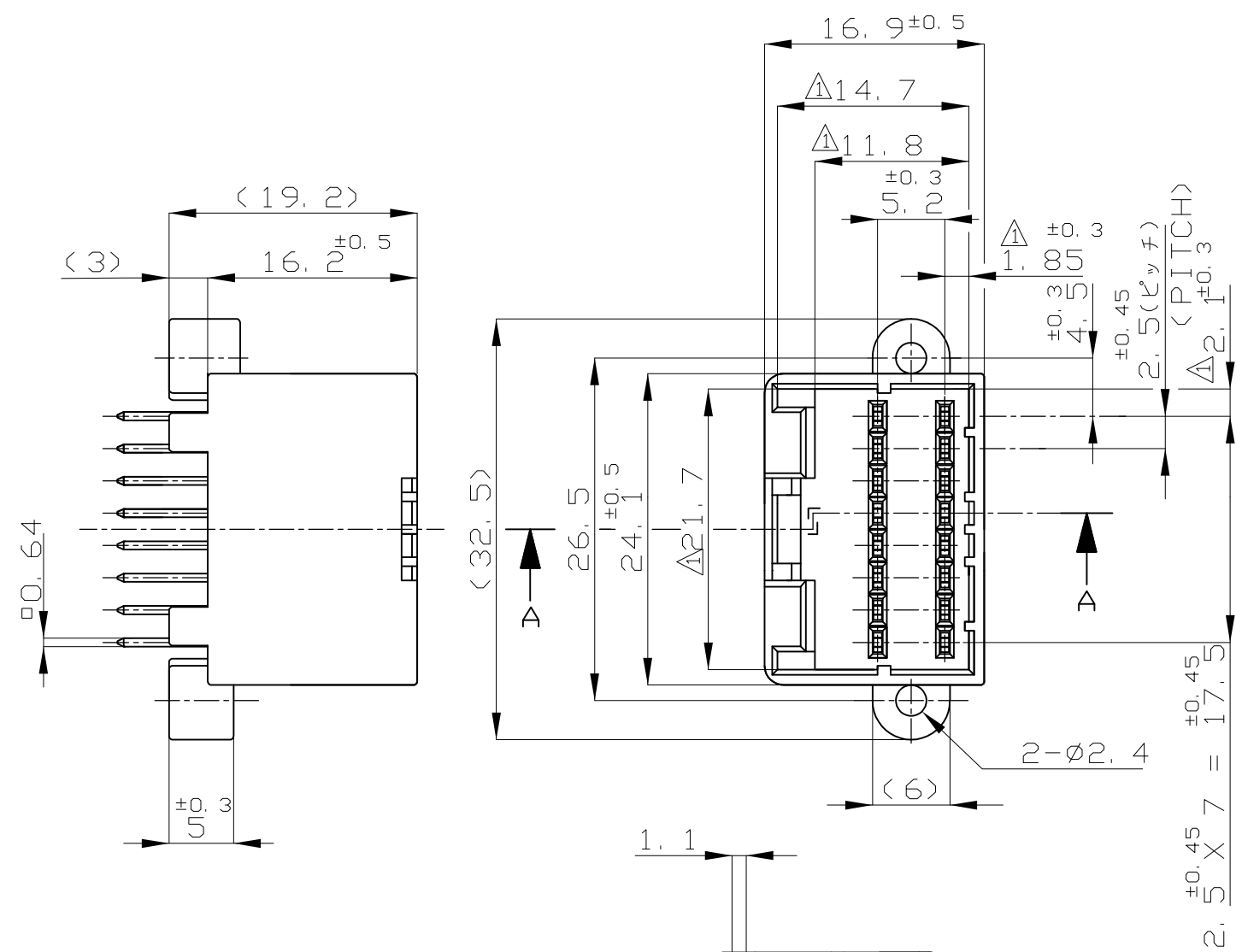


THIS DRAWING IS UNPUBLISHED. RELEASED FOR PUBLICATION
 © COPYRIGHT - By - ALL RIGHTS RESERVED.

LOC	DIST	REVISIONS					
		P	LTR	DESCRIPTION	DATE	DWN	APVD
J	-		D4	REVISED PER ECO-11-005140	28MAR11	RK	HMR



- 注:
- △ [-Z-] 面より2mmの範囲で測定
 - 2. 適用プリント基板厚: 1.6mm
 - 3. カン合相手ハウジング型番: 174046
 - 4. 推奨取付ネジ: JIS B1115, B1122 タッピンネジ, ナベ2種
呼び径3, 長さ6mm (締付けトルク0.8N-M以下)

断面 A-A
 (SECT. A-A)

- NOTE:
- △ TO BE MEASURED WITHIN 2mm FROM [-Z-]
 - 2. APPLICABLE P.C.BOARD THICKNESS : 1.6mm
 - 3. THE MATING COUNTERPART PART NUMBER : 174046
 - 4. RECOMMENDED MOUNTING SCREW : 3mmDIA, 6mmLENGTH TAPPING SCREW
SPECIFIED IN JIS B1115, B1122 (TIGHTENING TORQUE : 0.8N-M MAX.)

一般公差
 (GENERAL TOLERANCES)

0<* < 10	±0.2
10<* < 30	±0.25
30<* < 100	±0.3
ANGLES	±3°

THIS DRAWING IS A CONTROLLED DOCUMENT.

DIMENSIONS: 単位: 耗 mm	TOLERANCES UNLESS OTHERWISE SPECIFIED: 一般公差
0 PLC ±-	1 PLC ±-
1 PLC ±-	2 PLC ±-
2 PLC ±-	3 PLC ±-
3 PLC ±-	4 PLC ±-
4 PLC ±-	ANGLES ±-
MATERIAL 材料	FINISH 仕上
HOUSING : PBT	CONTACT : BRASS

DWN	M.KADOSAKI	120CT05
CHK	T.SHINOHARA	120CT05
APVD	K.BETSUI	120CT05
PRODUCT SPEC	製品規格	
APPLICATION SPEC	取付適用規格	
WEIGHT		

PRE-TIN		NATURAL	174975-4
SELECTIVE-TIN		PRE-TIN	2-174975-1
PRE-TIN		BLACK	174975-2
SELECTIVE-TIN (MATTE)	SELECTIVE-TIN (BRIGHT)	BLACK	174975-1
SOLDERING SIDE 半田付け部	CONTACT SIDE 接触部側	COLOR 色	PART NUMBER 製品型番
CONTACT FINISH コンタクト仕上			

STE TE Connectivity

16Pos. CAP HOUSING ASS'Y
 .040 SRS. MULTI-LOCK I/O CONN. (V-TYPE)

SIZE	CAGE CODE	DRAWING NO 番号	RESTRICTED TO
A3	00779	C-174975	-

CUSTOMER DRAWING

SCALE 尺度	SHEET	REV
2:1	1 OF 1	D4