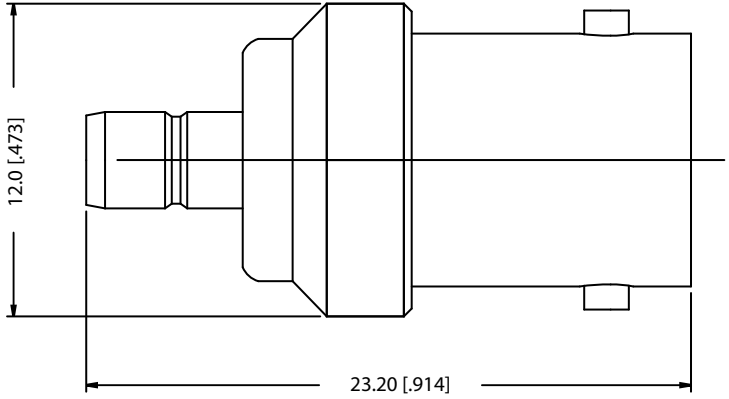


REV.	DATE	DESCRIPTION
NC	04/09/02	INITIAL RELEASE



8			
7			
6			
5			
4	CONTACT PIN	PHOS. BRONZE	GOLD
3	INSULATOR	TEFLON	NATURAL
2	SMB BODY	BRASS	GOLD
1	BNC BODY	BRASS	NICKEL
	DESCRIPTION	MATERIAL	FINISH

UNLESS OTHERWISE SPECIFIED
DIMENSIONS ARE IN MILLIMETERS

DIMENSIONS IN []
ARE IN INCHES FOR
CUSTOMER REFERENCE ONLY

UNLESS OTHERWISE SPECIFIED
TOLERANCES FOR INCHES ARE:

.XXX = ± 0.005"
.XX = ± 0.010"
.X = ± 0.020"

DO NOT SCALE DRAWING

APPROVALS	DATE
DRAWN G.R.S.	04/09/02
CHECKED	
ISSUED	

<h1>Amphenol - Connex</h1> <p>CONNECTOR CORPORATION</p>			
<p>TITLE</p> <p>BNC JACK TO SMB JACK ADAPTOR</p>			
SIZE	FSCM NO.	DWG. NO.	REV.
A	99001	242186.DWG	NC
SCALE	PART NO.	SHEET	
NA	242186	1 OF 1	