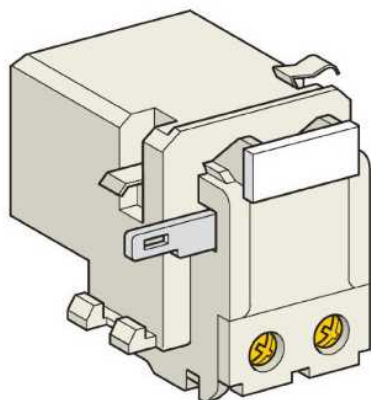


LAD703M

TeSys D thermal overload relays - remote electrical stop - 220...230 V DC/AC



Main

Range of product	TeSys D thermal overload relays
Product or component type	Electrical remote stop
Device short name	LAD
Accessory / separate part type	Electrical reset device
Product compatibility	LR3D01...D35 LRD01...35 LRD313...LRD365 LR3D313...LR3D365
Control circuit voltage	220/230 V DC 220/230 V AC 50/60 Hz

Complementary

Inrush power in VA	> 0...100 VA
Inrush power in W	> 0...100 W
Product weight	0.09 kg

The information provided in this documentation contains general descriptions and/or technical characteristics of the performance of the products contained herein. This documentation is not intended as a substitute for and is not to be used for determining suitability or reliability of these products for specific user applications. It is the duty of any such user or integrator to perform the appropriate and complete risk analysis, evaluation and testing of the products with respect to the relevant specific application or use thereof. Neither Schneider Electric Industries SAS nor any of its affiliates or subsidiaries shall be responsible or liable for misuse of the information contained herein.