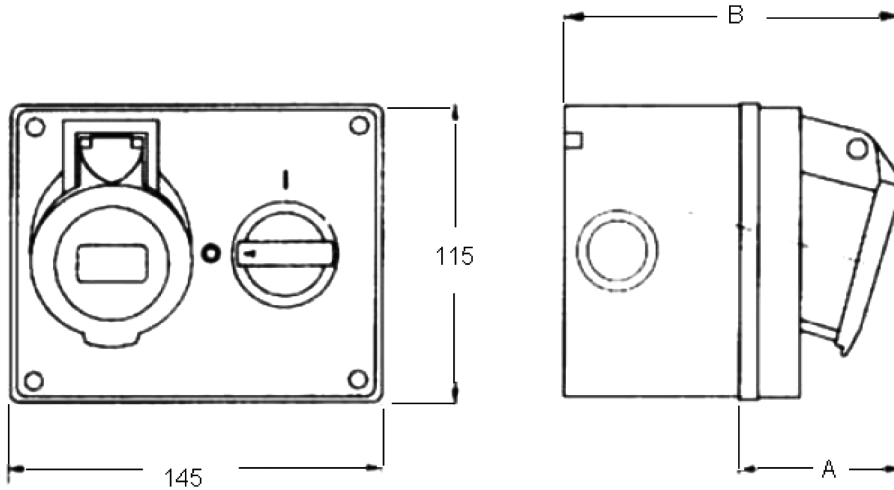


Socket Interlocked Switch



Features:

- In compliance with EN 60309-1 and EN 60309-2 standards
- Housing, inserts and boxes in self-extinguishing thermoplastic resin, RAL 7035 grey
- Spring cap of the colour of the voltage
- Circuit breaker knob, lockable
- Double mechanical interlock that prevents the switch from being turned on with the plug removed and prevents the plug from being pulled out while the switch is turned on
- Degree of protection (EN 60529) IP 44
- Suitable for mounting on the FC and FM series enclosures (type without box).
- Complete with cable gland, lock nut and gasket or drill hole to suit



Current Rating (A)	Poles	A	B
16	2P + \downarrow	59	129
	3P + \downarrow	63	133
	3P +N + \downarrow		

Part Number Table

Description	Part Number
Interlocked Switch Socket 110V	SQ1643CA
Interlocked Switch Socket 240V	SQ1663CA
Interlocked Switch Socket 415V	SQ1664CA
	SQ1665CA

Important Notice : This data sheet and its contents (the "Information") belong to the members of the Premier Farnell group of companies (the "Group") or are licensed to it. No licence is granted for the use of it other than for information purposes in connection with the products to which it relates. No licence of any intellectual property rights is granted. The Information is subject to change without notice and replaces all data sheets previously supplied. The Information supplied is believed to be accurate but the Group assumes no responsibility for its accuracy or completeness, any error in or omission from it or for any use made of it. Users of this data sheet should check for themselves the Information and the suitability of the products for their purpose and not make any assumptions based on information included or omitted. Liability for loss or damage resulting from any reliance on the Information or use of it (including liability resulting from negligence or where the Group was aware of the possibility of such loss or damage arising) is excluded. This will not operate to limit or restrict the Group's liability for death or personal injury resulting from its negligence. pro-POWER is the registered trademark of the Group. © Premier Farnell plc 2012.