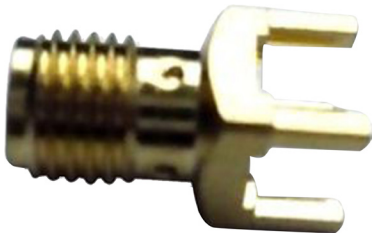


# Jack

## SMA Straight PCB Mount Receptacle



### Specifications:

#### Electrical:

Frequency range : DC-18 GHz  
 Nominal impedance : 50Ω  
 Maximum working voltage : 500V  
 Proof voltage : 1,000V  
 Maximum VSWR : 1.23

#### Materials:

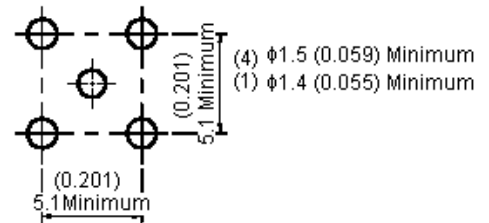
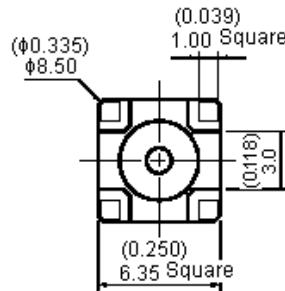
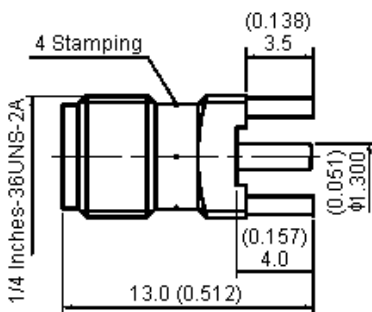
Bodies : Beryllium copper per ASTM B196 UNS C17300  
 Centre contact : Beryllium copper per ASTM B196 UNS C17300  
 Insulation : PTFE per ASTM D1457 and ASTM D1710

#### Mechanical:

Interface in accordance with : MIL-STD-348A

#### Environmental:

Operating temperature range : -65°C to +165°C



Mounting Hole

Dimensions : Millimetres (Inches)

Item	Description	Material	Finish
1	Body	Beryllium Copper	Gold 3μ Inches Minimum over Electroless Nickel 50μ Inches Min.
2	Insulation	PTFE	None
3	Centre Contact	Beryllium Copper	Gold 50μ Inches Minimum over Electroless Nickel 50μ Inches Min.

### Part Number Table

Description	Part Number
Jack, SMA, PCB Tht, Str, Non-Mag	60-04 TGG

**Important Notice :** This data sheet and its contents (the "Information") belong to the members of the Premier Farnell group of companies (the "Group") or are licensed to it. No licence is granted for the use of it other than for information purposes in connection with the products to which it relates. No licence of any intellectual property rights is granted. The Information is subject to change without notice and replaces all data sheets previously supplied. The Information supplied is believed to be accurate but the Group assumes no responsibility for its accuracy or completeness, any error in or omission from it or for any use made of it. Users of this data sheet should check for themselves the Information and the suitability of the products for their purpose and not make any assumptions based on information included or omitted. Liability for loss or damage resulting from any reliance on the Information or use of it (including liability resulting from negligence or where the Group was aware of the possibility of such loss or damage arising) is excluded. This will not operate to limit or restrict the Group's liability for death or personal injury resulting from its negligence. Multicom is the registered trademark of the Group. © Premier Farnell plc 2012.

www.element14.com  
 www.farnell.com  
 www.newark.com

