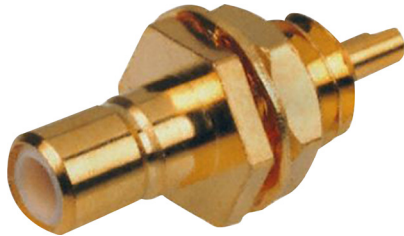


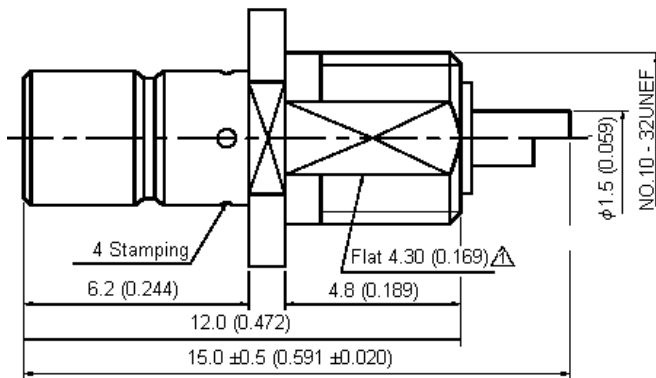
# Jack SMB

## Bulkhead, Front

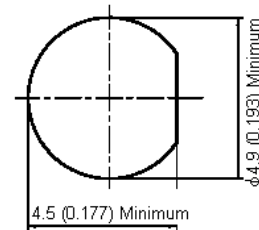
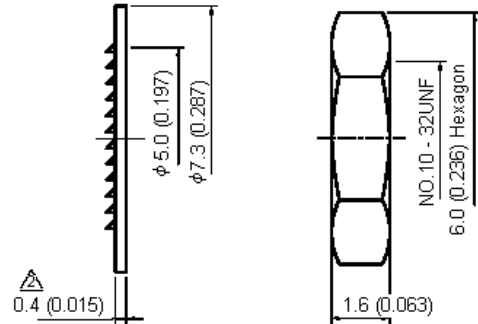


### Specifications:

Connector Type	: SMB Coaxial
Body Style	: Straight Bulkhead Jack
Working Voltage	: 250V
Impedance	: 50Ω
Frequency Max	: 4GHz
Contact Resistance	: 6mΩ
Insulation Resistance	: 1,000MΩ
Connector Mounting	: Panel
Operating Temperature	: -65°C to +165°C
Bodies	: Brass per JIS-C3604
Centre Contact	: Brass per JIS-C3604
Insulation	: PTFE per ASTM D1457 and ASTM D1710
Connector interface per MIL-STD-348A	
Part to be clean and free of burrs	



Dimensions : Millimetres (Inches)



### Mounting Hole

Description	Material	Finish
Body	Brass	Gold 3μ" Min.
Insulation	PTFE	None
Centre Contact	Brass	Gold 30μ" Min.
Washer		Gold
Nut		

### Part Number Table

Description	Part Number
Jack SMB, Bulkhead, Front	24-10-1-TGG

**Important Notice** : This data sheet and its contents (the "Information") belong to the members of the Premier Farnell group of companies (the "Group") or are licensed to it. No licence is granted for the use of it other than for information purposes in connection with the products to which it relates. No licence of any intellectual property rights is granted. The Information is subject to change without notice and replaces all data sheets previously supplied. The Information supplied is believed to be accurate but the Group assumes no responsibility for its accuracy or completeness, any error in or omission from it or for any use made of it. Users of this data sheet should check for themselves the Information and the suitability of the products for their purpose and not make any assumptions based on information included or omitted. Liability for loss or damage resulting from any reliance on the Information or use of it (including liability resulting from negligence or where the Group was aware of the possibility of such loss or damage arising) is excluded. This will not operate to limit or restrict the Group's liability for death or personal injury resulting from its negligence. Multicomp is the registered trademark of the Group. © Premier Farnell plc 2012.

