



Features and Benefits

The DataGate Plus jack is designed to maintain clean secure connections. The RJ-45 jack features a patented 'spring-loaded shutter' which protects it from dust and contaminants as well as provides tactile feedback –the spring-loaded shutter pops out an improperly seated patch cord—all with single-handed plug-in and removal. DataGate Plus jacks utilize patented IDC V-shaped contacts that flex not fatigue when terminated. The DataGate Plus jack is engineered for use across a broad range of Molex Premise Networks products.

- Patented Spring-Loaded Shutter:
 - prevents incomplete mating
 - protects from dust and contaminants
- Patented IDC V-shaped contacts that flex not fatigue when terminated
- Features pointed IDC towers to speed termination and enhance cable retention
- Dual color-coding allows for 568 A/B wiring configuration
- Can be terminated using industry standard punch-down tools
- RJ-11 compatible
- Molded category identification on jack face as well as optional port identification icons

Commercial Standards:

TIA/EIA-568-B.2-1 Component Compliant
 FCC Subpart F 68.5 Compliant
 IEC-603-7 Compliant
 ISO 11801 Class E Compliant
 ETL Verified for Category 5e Component Compliance

Pending Approvals:

UL-1863
 CSA

Mechanical Characteristics

Jack Connector

Plastic Housing: Thermoplastic UL94V-0 rated or equivalent
 Operating Life: Minimum 750 insertion cycles
 Contact Material: Copper Alloy
 Contact Plating: 50µ" Gold/100µ" Nickel
 Contact Force: 100g minimum
 Plug Retention Force: 11 lbf minimum

IDC Connector

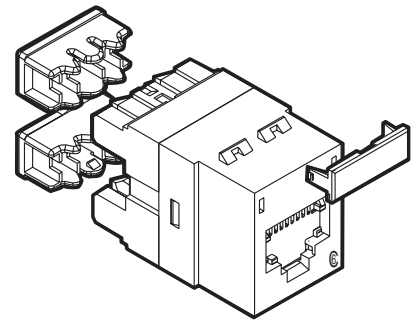
Plastic Housing: Thermoplastic UL94V-0 rated or equivalent
 Operating Life: Minimum 20 reterminations
 Contact Material: Copper Alloy
 IDC Contact Plating: Tin/Lead Plate
 Wire Accommodation: 22-24 AWG solid

Electrical Characteristics

Interface Resistance: 20 milliohms
 Initial Contact Resistance: 2.5 milliohms
 Insulation Resistance: >100 Megaohms

Parts List:

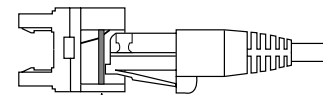
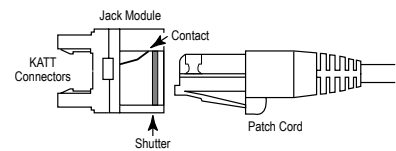
- DataGate Plus Jack with Stuffer Cap



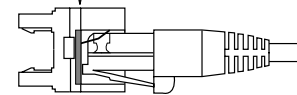
**DataGate Plus Jack
with icon demonstration**

Dimensions:
 23.9mm x 17.8mm x 32.3mm
 (.94"H x .70"W x 1.27"D)
 Shipping Weight: 14g (.5 oz.)

DataGate Plus Shutter Operation



As the patch cord plug is inserted into jack opening, the patented DataGate Plus Shutter slides to the back wall of the jack module - out of sight.



ORDERING INFORMATION

Order No.	Description
KSJ-00024-**	DataGate Plus Jack Category 5e 8W 568A/B
Accessories:	
CSP-00021-**	Blank 6-Pack Icons (Bag of 10)
CSP-00022-**	Data 6-Pack Icons (Bag of 10)
CSP-00023-**	Voice 6-Pack Icons (Bag of 10)

Insert color code in place of ** in part number when ordering DataGate Plus jack or Accessories:
 01 = Almond, 02 = White, 04 = Black, 05 = Ivory, 08 = Light Grey, RD = Red, BL = Blue, GR = Green, YL = Yellow,
 RG = Orange, PP = Purple



MOLEX PREMISE NETWORKS

Molex Premise Networks
 Corporate Headquarters
 New Hampshire, USA
 Tel: 1 603 324 0200
 www.molexpn.com

European Headquarters
 Hampshire, England
 Tel: 44 (0) 1489 527111
 www.molexpn.co.uk

Pac Rim Headquarters
 Victoria, Australia
 Tel: 61 3 9971 7111
 www.molexpn.com.au