

Bulkhead Adapter N Jack - N Jack



Specifications:

Electrical

Frequency Range	: DC-11GHz
Nominal Impedance	: 50Ω
Working Voltage Max	: 500V
Proof Voltage	: 2,500V
S11, S22: VSWR	: 1.3 Max. @ 2GHz;

Materials

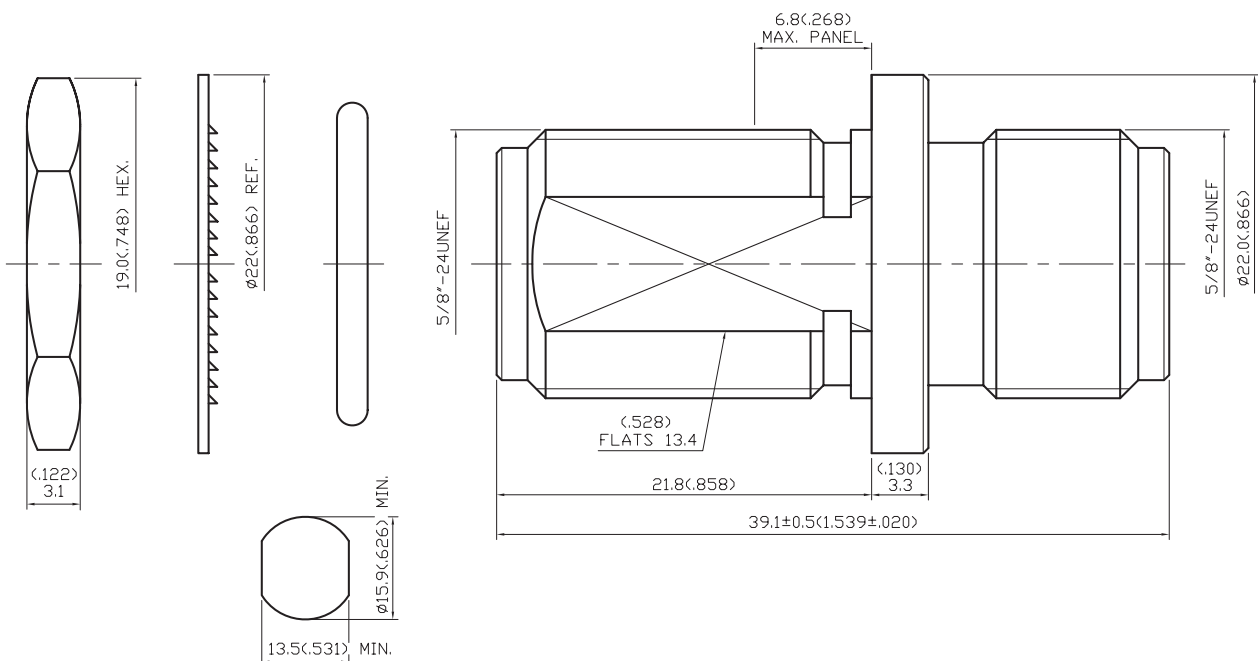
Bodies	: Brass per JIS-C3604
Centre Contact	: Brass per JIS-C3604
Insulation	: PTFE per ASTM D1457 and ASTM D1710

Mechanical

Interface in Accordance with	: MIL-STD-348A
------------------------------	----------------

Environmental

Operating Temperature Range	: -65°C to +165°C
Hermetically Sealed	



Mounting Hole

Dimensions : Millimetres (Inches)

Bulkhead Adapter

N Jack - N Jack



Finish and Others

No	Description	Material	Qty	Finish
1	Centre Contact	Brass	2	Gold 3 μ " Min.
2	Sleeve	Brass	1	Nickel 100 μ " Min.
3	Body	Brass	1	Nickel 100 μ " Min.
4	Hermetically Sealed	-	1	None
5	O-Ring	Silicone	1	Black
6	Washer	Brass	1	Nickel
7	Nut	Brass	1	Nickel

Part Number Table

Description	Part Number
Adapter, N Jack - N Jack, Bulkhead	R11-023-01-00B6120KK

Important Notice : This data sheet and its contents (the "Information") belong to the members of the Premier Farnell group of companies (the "Group") or are licensed to it. No licence is granted for the use of it other than for information purposes in connection with the products to which it relates. No licence of any intellectual property rights is granted. The Information is subject to change without notice and replaces all data sheets previously supplied. The Information supplied is believed to be accurate but the Group assumes no responsibility for its accuracy or completeness, any error in or omission from it or for any use made of it. Users of this data sheet should check for themselves the Information and the suitability of the products for their purpose and not make any assumptions based on information included or omitted. Liability for loss or damage resulting from any reliance on the Information or use of it (including liability resulting from negligence or where the Group was aware of the possibility of such loss or damage arising) is excluded. This will not operate to limit or restrict the Group's liability for death or personal injury resulting from its negligence. Multicomp is the registered trademark of the Group. © Premier Farnell plc 2012.