

**3 A, 900 kHz, monolithic synchronous step-down regulator IC**

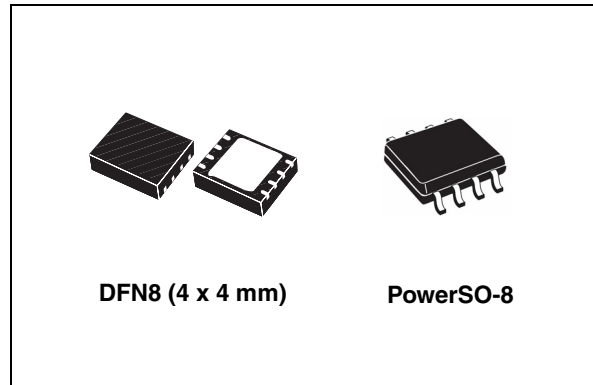
Datasheet – production data

**Features**

- Step-down current mode PWM regulator
- Output voltage adjustable from 0.8 V
- Input voltage from 2.5 V up to 18 V
- 2% DC output voltage tolerance
- Synchronous rectification
- Inhibit function
- Synchronizable switching frequency from 400 kHz up to 1.2 MHz
- Internal soft start
- Dynamic short circuit protection
- Typical efficiency: 90%
- 3 A output current capability
- Stand-by supply current: max 6  $\mu$ A over temperature range
- Operative junction temp: from - 40 °C to 125 °C

**Applications**

- Consumer
  - STB, DVD, DVD recorders, TV, VCR, car audio, LCD monitors
- Networking
  - XDSL, modems, DC-DC modules
- Computer
  - Optical storage, HD drivers, printers, audio/graphic cards
- Industrial and security
  - Battery chargers, DC-DC converters, PLD, PLA, FPGA, LED drivers


**Description**

The ST1S10 is a high efficiency step-down PWM current mode switching regulator capable of providing up to 3 A of output current. The device operates with an input supply range from 2.5 V to 18 V and provides an adjustable output voltage from 0.8 V ( $V_{FB}$ ) to  $0.85 \cdot V_{IN\_SW}$  [ $V_{OUT} = V_{FB} \cdot (1 + R1/R2)$ ]. It operates either at a 900 kHz fixed frequency or can be synchronized to an external clock (from 400 kHz to 1.2 MHz). The high switching frequency allows the use of tiny SMD external components, while the integrated synchronous rectifier eliminates the need for a Schottky diode. The ST1S10 provides excellent transient response, and is fully protected against thermal overheating, switching over-current and output short circuit.

The ST1S10 is the ideal choice for point-of-load regulators or LDO pre-regulation.

**Table 1. Device summary**

Part number	Order codes	
	DFN8 (4 x 4 mm)	PowerSO-8
ST1S10	ST1S10PUR	ST1S10PHR

# Contents

- 1      Application circuit ..... 5**
- 2      Pin configuration ..... 6**
- 3      Maximum ratings ..... 7**
- 4      Electrical characteristics ..... 8**
- 5      Application information ..... 10**
  - 5.1    Description ..... 10
  - 5.2    External components selection ..... 10
    - 5.2.1    Input capacitor ..... 10
  - 5.3    Output capacitor ( $V_{OUT} > 2.5\text{ V}$ ) ..... 11
  - 5.4    Output capacitor ( $0.8\text{ V} < V_{OUT} < 2.5\text{ V}$ ) ..... 12
  - 5.5    Output voltage selection ..... 12
  - 5.6    Inductor ( $V_{OUT} > 2.5\text{ V}$ ) ..... 13
  - 5.7    Inductor ( $0.8\text{ V} < V_{OUT} < 2.5\text{ V}$ ) ..... 13
  - 5.8    Function operation ..... 13
    - 5.8.1    Sync operation ..... 13
    - 5.8.2    Inhibit function ..... 14
    - 5.8.3    OCP (overcurrent protection) ..... 14
    - 5.8.4    SCP (short circuit protection) ..... 14
    - 5.8.5    SCP and OCP operation with high capacitive load ..... 14
- 6      Layout considerations ..... 16**
  - 6.1    Thermal considerations ..... 17
- 7      Diagram ..... 18**
- 8      Typical performance characteristics ..... 19**
- 9      Package mechanical data ..... 22**
- 10     Revision history ..... 28**



## List of tables

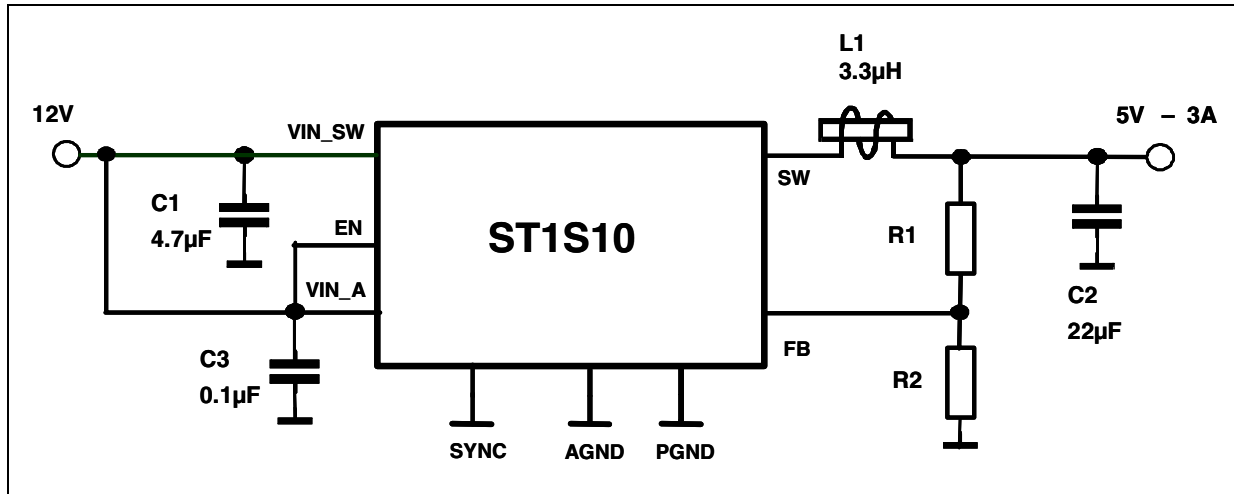
Table 1.	Device summary . . . . .	1
Table 2.	Pin description . . . . .	6
Table 3.	Absolute maximum ratings . . . . .	7
Table 4.	Thermal data . . . . .	7
Table 5.	Electrical characteristics . . . . .	8
Table 6.	Power SO-8 (exposed pad) mechanical data . . . . .	22
Table 7.	Power SO-8 (exposed pad) tape and reel mechanical data . . . . .	25
Table 8.	DFN8 (4X4) mechanical data . . . . .	26
Table 9.	DFN8 (4x4)tape and reel mechanical data . . . . .	27
Table 10.	Document revision history . . . . .	28

## List of figures

Figure 1.	Typical application circuit	5
Figure 2.	Pin connections (top view for PowerSO-8, bottom view for DFN8)	6
Figure 3.	Application schematic for heavy capacitive load	15
Figure 4.	Application schematic for low output voltage ( $V_{OUT} < 2.5\text{ V}$ ) and $2.5\text{ V} < V_{IN} < 8\text{ V}$	15
Figure 5.	Application schematic for low output voltage ( $V_{OUT} < 2.5\text{ V}$ ) and $8\text{ V} < V_{IN} < 16\text{ V}$	15
Figure 6.	PCB layout suggestion	16
Figure 7.	PCB layout suggestion	17
Figure 8.	Block diagram	18
Figure 9.	Voltage feedback vs. temperature	19
Figure 10.	Oscillator frequency vs. temperature	19
Figure 11.	Max duty cycle vs. temperature	19
Figure 12.	Inhibit threshold vs. temperature	19
Figure 13.	Reference line regulation vs. temperature	20
Figure 14.	Reference load regulation vs. temperature	20
Figure 15.	ON mode quiescent current vs. temperature	20
Figure 16.	Shutdown mode quiescent current vs. temperature	20
Figure 17.	PMOS ON resistance vs. temperature	20
Figure 18.	NMOS ON resistance vs. temperature	20
Figure 19.	Efficiency vs. temperature	21
Figure 20.	Efficiency vs. output current@ $V_{out} = 5\text{ V}$	21
Figure 21.	Efficiency vs. output current@ $V_{out} = 3.3\text{ V}$	21
Figure 22.	Efficiency vs. output current@ $V_{out} = 12\text{ V}$	21
Figure 23.	Power SO-8 (exposed pad) dimensions	23
Figure 24.	Power SO-8 (exposed pad) recommended footprint	24
Figure 25.	Power SO-8 (exposed pad) tape and reel dimensions	25
Figure 26.	DFN8 (4x4) dimensions	26
Figure 27.	DFN8 (4x4)tape and reel dimensions	27

# 1 Application circuit

Figure 1. Typical application circuit



## 2 Pin configuration

Figure 2. Pin connections (top view for PowerSO-8, bottom view for DFN8)

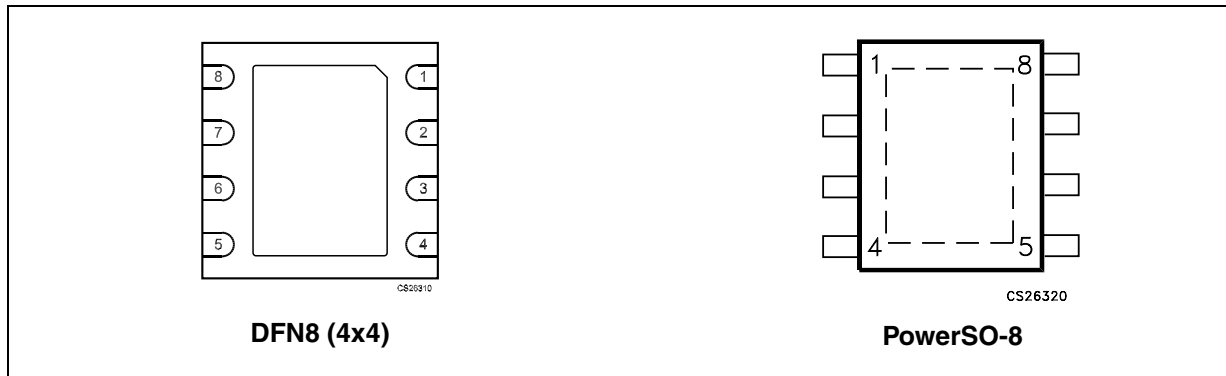


Table 2. Pin description

Pin n°	Symbol	Name and function
1	$V_{IN\_A}$	Analog input supply voltage to be tied to $V_{IN}$ supply source
2	INH (EN)	Inhibit pin active low. Connect to $V_{IN\_A}$ if not used
3	$V_{FB}$	Feedback voltage for connection to external voltage divider to set the $V_{OUT}$ from 0.8V up to $0.85 \cdot V_{IN\_SW}$ . (see output voltage selection paragraph 5.5)
4	AGND	Analog ground
5	SYNC	Synchronization and frequency select. Connect SYNC to GND for 900 kHz operation, or to an external clock from 400 kHz to 1.2 MHz. (see Sync operation paragraph 5.8.1)
6	$V_{IN\_SW}$	Power input supply voltage to be tied to $V_{IN}$ power supply source
7	SW	Switching node to be connected to the inductor
8	PGND	Power ground
epad	epad	Exposed pad to be connected to ground

### 3 Maximum ratings

**Table 3. Absolute maximum ratings**

Symbol	Parameter	Value	Unit
$V_{IN\_SW}$	Positive power supply voltage	-0.3 to 20	V
$V_{IN\_A}$	Positive supply voltage	-0.3 to 20	V
$V_{INH}$	Inhibit voltage	-0.3 to $V_{IN\_A}$	V
$V_{SW}$	Output switch voltage	-0.3 to 20	V
$V_{FB}$	Feedback voltage	-0.3 to 2.5	V
$I_{FB}$	FB current	-1 to +1	mA
Sync	Synchronization	-0.3 to 6	V
$T_{STG}$	Storage temperature range	-40 to 150	°C
$T_{OP}$	Operating junction temperature range	-40 to 125	°C

*Note: Absolute maximum ratings are the values beyond which damage to the device may occur. Functional operation under these conditions is not implied.*

**Table 4. Thermal data**

Symbol	Parameter	PowerSO-8	DFN8	Unit
$R_{thJA}$	Thermal resistance junction-ambient	40	40	°C/W
$R_{thJC}$	Thermal resistance junction-case	12	4	°C/W

## 4 Electrical characteristics

$V_{IN} = V_{IN\_SW} = V_{IN\_A} = V_{INH} = 12\text{ V}$ ,  $V_{SYNC} = \text{GND}$ ,  $V_{OUT} = 5\text{ V}$ ,  $I_{OUT} = 10\text{ mA}$ ,  $C_{IN} = 4.7\text{ }\mu\text{F} + 0.1\text{ }\mu\text{F}$ ,  $C_{OUT} = 22\text{ }\mu\text{F}$ ,  $L1 = 3.3\text{ }\mu\text{H}$ ,  $T_J = -40\text{ to }125^\circ\text{C}$  (Unless otherwise specified, refer to the typical application circuit. Typical values assume  $T_J = 25^\circ\text{C}$ ).

**Table 5. Electrical characteristics**

Symbol	Parameter	Test conditions	Min.	Typ.	Max.	Unit
$V_{FB}$	Feedback voltage	$T_J = 25^\circ\text{C}$	784	800	816	mV
		$T_J = -25^\circ\text{C to }125^\circ\text{C}$	776	800	824	mV
$I_{FB}$	$V_{FB}$ pin bias current				600	nA
$I_Q$	Quiescent current	$V_{INH} > 1.2\text{ V}$ , not switching		1.5	2.5	mA
		$V_{INH} < 0.4\text{ V}$		2	6	$\mu\text{A}$
$I_{OUT}$	Output current <sup>(1)</sup>	$V_{IN} = 2.5\text{ V to }18\text{ V}$ , $V_{OUT} = 0.8\text{ V to }13.6\text{ V}$ <sup>(2)</sup>	3.0			A
$V_{INH}$	Inhibit threshold	Device ON	1.2			V
		Device OFF			0.4	V
$I_{INH}$	Inhibit pin current			2		$\mu\text{A}$
$\%V_{OUT}/\Delta V_{IN}$	Reference line regulation	$2.5\text{ V} < V_{IN} < 18\text{ V}$		0.4		$\%V_{OUT}/\Delta V_{IN}$
$\%V_{OUT}/\Delta I_{OUT}$	Reference load regulation	$10\text{ mA} < I_{OUT} < 3\text{ A}$		0.5		$\%V_{OUT}/\Delta I_{OUT}$
PWM fs	PWM switching frequency	$V_{FB} = 0.7\text{ V}$ , Sync = GND $T_J = 25^\circ\text{C}$	0.7	0.9	1.1	MHz
$D_{MAX}$	Maximum duty cycle <sup>(2)</sup>		85	90		%
$R_{DSon-N}$	NMOS switch on resistance	$I_{SW} = 750\text{ mA}$		0.10		$\Omega$
$R_{DSon-P}$	PMOS switch on resistance	$I_{SW} = 750\text{ mA}$		0.12		$\Omega$
$I_{SWL}$	Switch current limitation			5.0		A
$\nu$	Efficiency	$I_{OUT} = 100\text{ mA to }300\text{ mA}$		85		%
		$I_{OUT} = 300\text{ mA to }3\text{ A}$		90		%
$T_{SHDN}$	Thermal shut down			150		$^\circ\text{C}$
$T_{HYS}$	Thermal shut down hysteresis			15		$^\circ\text{C}$
$V_{OUT}/\Delta I_{OUT}$	Output transient response	$100\text{ mA} < I_{OUT} < 1\text{ A}$ , $t_R = t_F \geq 500\text{ ns}$		$\pm 5$		$\%V_O$
$V_{OUT}/\Delta I_{OUT}$ @ $I_O = \text{short}$	Short circuit removal response (overshot)	$10\text{ mA} < I_{OUT} < \text{short}$		$\pm 10$		$\%V_O$
$F_{SYNC}$	SYNC frequency capture range	$V_{IN} = 2.5\text{ V to }18\text{ V}$ , $V_{SYNC} = 0\text{ to }5\text{ V}$	0.4		1.2	MHz
$SYNC_{WD}$	SYNC pulse width	$V_{IN} = 2.5\text{ V to }18\text{ V}$	250			ns
$V_{IL\_SYNC}$	SYNC input threshold low	$V_{IN} = 2.5\text{ V to }18\text{ V}$			0.4	V



**Table 5. Electrical characteristics (continued)**

Symbol	Parameter	Test conditions	Min.	Typ.	Max.	Unit
$V_{IH\_SYNC}$	SYNC input threshold high	$V_{IN} = 2.5\text{ V to }18\text{ V}$	1.6			V
$I_{IL}, I_{IH}$	SYNC input current	$V_{IN} = 2.5\text{ V to }18\text{ V}, V_{SYNC} = 0\text{ or }5\text{ V}$	-10		+10	$\mu\text{A}$
UVLO	Under voltage lock-out threshold	$V_{IN}$ rising		2.3		V
		Hysteresis		200		mV

1. Guaranteed by design, but not tested in production.
2. See output voltage selection paragraph 5.5 for maximum duty cycle conditions.

## 5 Application information

### 5.1 Description

The ST1S10 is a high efficiency synchronous step-down DC-DC converter with inhibit function. It provides up to 3 A over an input voltage range of 2.5 V to 18 V, and the output voltage can be adjusted from 0.8 V up to 85% of the input voltage level. The synchronous rectification removes the need for an external Schottky diode and allows higher efficiency even at very low output voltages.

A high internal switching frequency (0.9 MHz) allows the use of tiny surface-mount components, as well as a resistor divider to set the output voltage value. In typical application conditions, only an inductor and 3 capacitors are required for proper operation.

The device can operate in PWM mode with a fixed frequency or synchronized to an external frequency through the SYNC pin. The current mode PWM architecture and stable operation with low ESR SMD ceramic capacitors results in low, predictable output ripple. No external compensation is needed.

To maximize power conversion efficiency, the ST1S10 works in pulse skipping mode at light load conditions and automatically switches to PWM mode when the output current increases.

The ST1S10 is equipped with thermal shut down protection activated at 150 °C (typ.).

Cycle-by-cycle short circuit protection provides protection against shorted outputs for the application and the regulator. An internal soft start for start-up current limiting and power ON delay of 275 μs (typ.) helps to reduce inrush current during start-up.

### 5.2 External components selection

#### 5.2.1 Input capacitor

The ST1S10 features two  $V_{IN}$  pins:  $V_{IN\_SW}$  for the power supply input voltage where the switching peak current is drawn, and  $V_{IN\_A}$  to supply the ST1S10 internal circuitry and drivers.

The  $V_{IN\_SW}$  input capacitor reduces the current peaks drawn from the input power supply and reduces switching noise in the IC. A high power supply source impedance requires larger input capacitance.

For the  $V_{IN\_SW}$  input capacitor the RMS current rating is a critical parameter that must be higher than the RMS input current. The maximum RMS input current can be calculated using the following equation:

#### Equation 1

$$I_{RMS} = I_O \cdot \sqrt{D - \frac{2 \cdot D^2}{\eta} + \frac{D^2}{\eta}}$$

where  $\eta$  is the expected system efficiency,  $D$  is the duty cycle and  $I_O$  is the output DC current. The duty cycle can be derived using the equation:

**Equation 2**

$$D = (V_{OUT} + V_F) / (V_{IN} - V_{SW})$$

where  $V_F$  is the voltage drop across the internal NMOS, and  $V_{SW}$  represents the voltage drop across the internal PDMOS. The minimum duty cycle (at  $V_{IN\_max}$ ) and the maximum duty cycle (at  $V_{IN\_min}$ ) should be considered in order to determine the max  $I_{RMS}$  flowing through the input capacitor.

A minimum value of 4.7  $\mu F$  for the  $V_{IN\_SW}$  and a 0.1  $\mu F$  ceramic capacitor for the  $V_{IN\_A}$  are suitable in most application conditions. A 10  $\mu F$  or higher ceramic capacitor for the  $V_{IN\_SW}$  and a 1  $\mu F$  or higher for the  $V_{IN\_A}$  are recommended in cases of higher power supply source impedance or where long wires are needed between the power supply source and the  $V_{IN}$  pins. The above higher input capacitor values are also recommended in cases where an output capacitive load is present ( $47 \mu F < C_{LOAD} < 100 \mu F$ ), which could impact the switching peak current drawn from the input capacitor during the start-up transient.

In cases of very high output capacitive loads ( $C_{LOAD} > 100 \mu F$ ), all input/output capacitor values shall be modified as described in the OCP and SCP operation section 5.8.5 of this document.

The input ceramic capacitors should have a voltage rating in the range of 1.5 times the maximum input voltage and be located as close as possible to  $V_{IN}$  pins.

**5.3 Output capacitor ( $V_{OUT} > 2.5 V$ )**

The most important parameters for the output capacitor are the capacitance, the ESR and the voltage rating. The capacitance and the ESR affect the control loop stability, the output ripple voltage and transient response of the regulator.

The ripple due to the capacitance can be calculated with the following equation:

**Equation 3**

$$V_{RIPPLE(C)} = (0.125 \times \Delta I_{SW}) / (F_S \times C_{OUT})$$

where  $F_S$  is the PWM switching frequency and  $\Delta I_{SW}$  is the inductor peak-to-peak switching current, which can be calculated as:

**Equation 4**

$$\Delta I_{SW} = [(V_{IN} - V_{OUT}) / (F_S \times L)] \times D$$

where  $D$  is the duty cycle.

The ripple due to the ESR is given by:

**Equation 5**

$$V_{RIPPLE(ESR)} = \Delta I_{SW} \times ESR$$

The equations above can be used to define the capacitor selection range, but final values should be verified by testing an evaluation circuit.

Lower ESR ceramic capacitors are usually recommended to reduce the output ripple voltage. Capacitors with higher voltage ratings have lower ESR values, resulting in lower output ripple voltage.

Also, the capacitor ESL value impacts the output ripple voltage, but ceramic capacitors usually have very low ESL, making ripple voltages due to the ESL negligible. In order to reduce ripple voltages due to the parasitic inductive effect, the output capacitor connection paths should be kept as short as possible.

The ST1S10 has been designed to perform best with ceramic capacitors. Under typical application conditions a minimum ceramic capacitor value of 22  $\mu\text{F}$  is recommended on the output, but higher values are suitable considering that the control loop has been designed to work properly with a natural output LC frequency provided by a 3.3  $\mu\text{H}$  inductor and 22  $\mu\text{F}$  output capacitor. If the high capacitive load application circuit shown in [Figure 3](#) is used, a 47  $\mu\text{F}$  (or 2 x 22  $\mu\text{F}$  capacitors in parallel) could be needed as described in the OCP and SCP operation [Section 5.8.5: SCP and OCP operation with high capacitive load](#). of this document.

The use of ceramic capacitors with voltage ratings in the range of 1.5 times the maximum output voltage is recommended.

## 5.4 Output capacitor ( $0.8\text{ V} < V_{\text{OUT}} < 2.5\text{ V}$ )

For applications with lower output voltage levels ( $V_{\text{OUT}} < 2.5\text{ V}$ ) the output capacitance and inductor values should be selected in a way that improves the DC-DC control loop behavior. In this output condition two cases must be considered:  $V_{\text{IN}} > 8\text{ V}$  and  $V_{\text{IN}} < 8\text{ V}$ .

For  $V_{\text{IN}} < 8\text{ V}$  the use of 2 x 22  $\mu\text{F}$  capacitors in parallel to the output is recommended, as shown in [Figure 4](#).

For  $V_{\text{IN}} > 8\text{ V}$ , a 100  $\mu\text{F}$  electrolytic capacitor with  $\text{ESR} < 0.1\ \Omega$  should be added in parallel to the 2 x 22  $\mu\text{F}$  output capacitors as shown in [Figure 5](#).

## 5.5 Output voltage selection

The output voltage can be adjusted from 0.8 V up to 85% of the input voltage level by connecting a resistor divider (see R1 and R2 in the typical application circuit) between the output and the  $V_{\text{FB}}$  pin. A resistor divider with R2 in the range of 20 k $\Omega$  is a suitable compromise in terms of current consumption. Once the R2 value is selected, R1 can be calculated using the following equation:

### Equation 6

$$R1 = R2 \times (V_{\text{OUT}} - V_{\text{FB}}) / V_{\text{FB}}$$

where  $V_{\text{FB}} = 0.8\text{ V}$  (typ.).

Lower values are suitable as well, but will increase current consumption. Be aware that duty cycle must be kept below 85% at all application conditions, so that:

### Equation 7

$$D = (V_{\text{OUT}} + V_{\text{F}}) / (V_{\text{IN}} - V_{\text{SW}}) < 0.85$$

where  $V_{\text{F}}$  is the voltage drop across the internal NMOS, and  $V_{\text{SW}}$  represents the voltage drop across the internal PDMOS.

Note that once the output current is fixed, higher  $V_{\text{OUT}}$  levels increase the power dissipation of the device leading to an increase in the operating junction temperature. It is

recommended to select a  $V_{OUT}$  level which maintains the junction temperature below the thermal shut-down protection threshold (150°C typ.) at the rated output current. The following equation can be used to calculate the junction temperature ( $T_J$ ):

#### Equation 8

$$T_J = \{ [V_{OUT} \times I_{OUT} \times R_{thJA} \times (1-\eta)] / \eta \} + T_{AMB}$$

where  $R_{thJA}$  is the junction-to-ambient thermal resistance,  $\eta$  is the efficiency at the rated  $I_{OUT}$  current and  $T_{AMB}$  is the ambient temperature.

To ensure safe operating conditions the application should be designed to keep  $T_J < 140^\circ\text{C}$ .

## 5.6 Inductor ( $V_{OUT} > 2.5\text{ V}$ )

The inductor value fixes the ripple current flowing through output capacitor and switching peak current. The ripple current should be kept in the range of 20-40% of  $I_{OUT\_MAX}$  (for example it is 0.6 - 1.2 A at  $I_{OUT} = 3\text{ A}$ ). The approximate inductor value can be obtained with the following equation:

#### Equation 9

$$L = [(V_{IN} - V_{OUT}) / \Delta I_{SW}] \times T_{ON}$$

where  $T_{ON}$  is the ON time of the internal switch, given by:

$$T_{ON} = D/F_S$$

The inductor should be selected with saturation current ( $I_{SAT}$ ) equal to or higher than the inductor peak current, which can be calculated with the following equation:

#### Equation 10

$$I_{PK} = I_O + (\Delta I_{SW}/2), I_{SAT} \geq I_{PK}$$

The inductor peak current must be designed so that it does not exceed the switching current limit.

## 5.7 Inductor ( $0.8\text{ V} < V_{OUT} < 2.5\text{ V}$ )

For applications with lower output voltage levels ( $V_{out} < 2.5\text{ V}$ ) the description in the previous section is still valid but it is recommended to keep the inductor values in a range from 1  $\mu\text{H}$  to 2.2  $\mu\text{H}$  in order to improve the DC-DC control loop behavior, and increase the output capacitance depending on the  $V_{IN}$  level as shown in the [Figure 4](#) and [Figure 5](#). In most application conditions a 2.2  $\mu\text{H}$  inductor is the best compromise between DC-DC control loop behavior and output voltage ripple.

## 5.8 Function operation

### 5.8.1 Sync operation

The ST1S10 operates at a fixed frequency or can be synchronized to an external frequency with the SYNC pin. The ST1S10 switches at a frequency of 900 kHz when the SYNC pin is connected to ground, and can synchronize the switching frequency between 400 kHz to 1.2

MHz from an external clock applied to the SYNC pin. When the SYNC feature is not used, this pin must be connected to ground with a path as short as possible to avoid any possible noise injected in the SYNC internal circuitry.

### 5.8.2 Inhibit function

The inhibit pin can be used to turn OFF the regulator when pulled down, thus drastically reducing the current consumption down to less than 6  $\mu\text{A}$ . When the inhibit feature is not used, this pin must be tied to  $V_{\text{IN}}$  to keep the regulator output ON at all times. To ensure proper operation, the signal source used to drive the inhibit pin must be able to swing above and below the specified thresholds listed in the electrical characteristics section under  $V_{\text{INH}}$ . Any slew rate can be used to drive the inhibit pin.

### 5.8.3 OCP (overcurrent protection)

The ST1S10 DC-DC converter is equipped with a switch overcurrent protection. In order to provide protection for the application and the internal power switches and bonding wires, the device goes into a shutdown state if the switch current limit is reached and is kept in this condition for the  $T_{\text{OFF}}$  period ( $T_{\text{OFF(OCP)}} = 135 \mu\text{s}$  typ.) and turns on again for the  $T_{\text{ON}}$  period ( $T_{\text{ON(OCP)}} = 22 \mu\text{s}$  typ.) under typical application conditions. This operation is repeated cycle by cycle. Normal operation is resumed when no over-current is detected.

### 5.8.4 SCP (short circuit protection)

In order to protect the entire application and reduce the total power dissipation during an overload or an output short circuit condition, the device is equipped with dynamic short circuit protection which works by internally monitoring the  $V_{\text{FB}}$  (feedback voltage).

In the event of an overload or output short circuit, if the  $V_{\text{OUT}}$  voltage is reduced causing the feedback voltage ( $V_{\text{FB}}$ ) to drop below 0.3 V (typ.), the device goes into shutdown for the  $T_{\text{OFF}}$  time ( $T_{\text{OFF(SCP)}} = 288 \mu\text{s}$  typ.) and turns on again for the  $T_{\text{ON}}$  period ( $T_{\text{ON(SCP)}} = 130 \mu\text{s}$  typ.). This operation is repeated cycle by cycle, and normal operation is resumed when no overload is detected ( $V_{\text{FB}} > 0.3 \text{ V}$  typ.) for the full  $T_{\text{ON}}$  period.

This dynamic operation can greatly reduce the power dissipation in overload conditions, while still ensuring excellent power-on startup in most conditions.

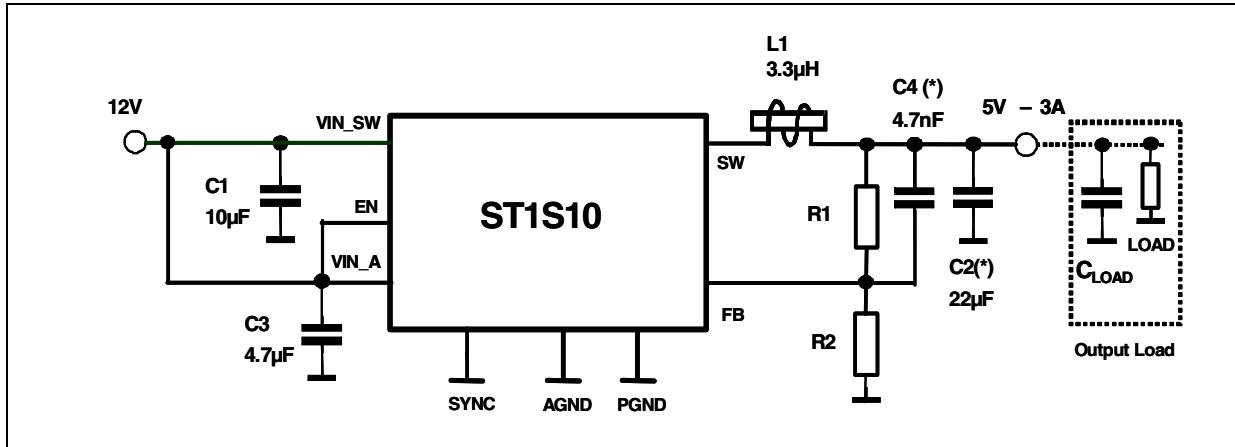
### 5.8.5 SCP and OCP operation with high capacitive load

Thanks to the OCP and SCP circuit, ST1S10 is strongly protected against damage from short circuit and overload.

However, a highly capacitive load on the output may cause difficulties during start-up. This can be resolved by using the modified application circuit shown in [Figure 3](#), in which a minimum of 10  $\mu\text{F}$  for C1 and a 4.7  $\mu\text{F}$  ceramic capacitor for C3 are used. Moreover, for  $C_{\text{LOAD}} > 100 \mu\text{F}$ , it is necessary to add the C4 capacitor in parallel to the upper voltage divider resistor (R1) as shown in [Figure 3](#). The recommended value for C4 is 4.7 nF.

Note that C4 may impact the control loop response and should be added only when a capacitive load higher than 100  $\mu\text{F}$  is continuously present. If the high capacitive load is variable or not present at all times, in addition to C4 an increase in the output ceramic capacitor C2 from 22  $\mu\text{F}$  to 47  $\mu\text{F}$  (or 2 x 22  $\mu\text{F}$  capacitors in parallel) is recommended. Also in this case it is suggested to further increase the input capacitors to a minimum of 10  $\mu\text{F}$  for C1 and a 4.7  $\mu\text{F}$  ceramic capacitor for C3 as shown in [Figure 3](#).

Figure 3. Application schematic for heavy capacitive load



(\*) see OCP and SCP descriptions for C2 and C4 selection.

Figure 4. Application schematic for low output voltage ( $V_{OUT} < 2.5\text{ V}$ ) and  $2.5\text{ V} < V_{IN} < 8\text{ V}$

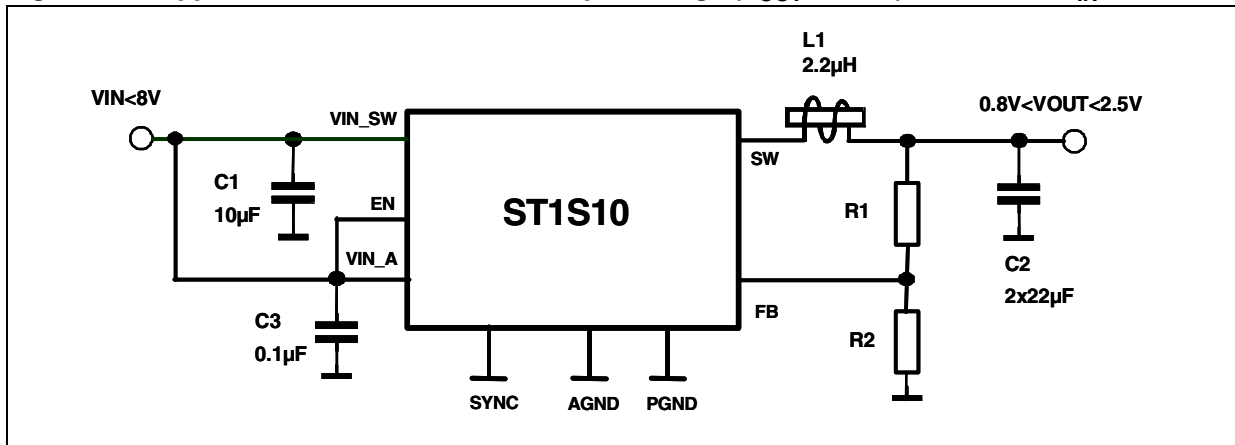
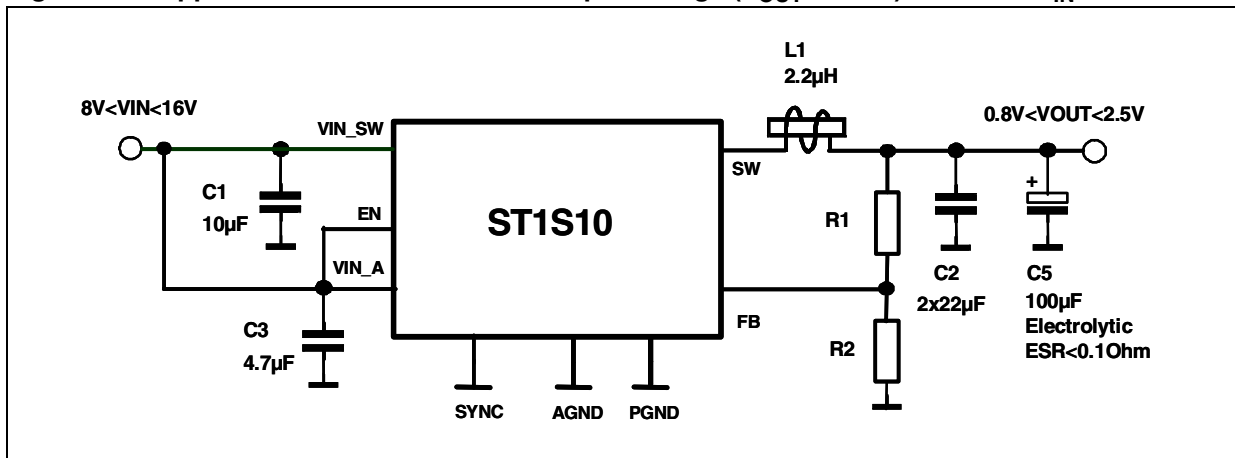


Figure 5. Application schematic for low output voltage ( $V_{OUT} < 2.5\text{ V}$ ) and  $8\text{ V} < V_{IN} < 16\text{ V}$



## 6 Layout considerations

Layout is an important step in design for all switching power supplies.

High-speed operation (900 kHz) of the ST1S10 device demands careful attention to PCB layout. Care must be taken in board layout to get device performance, otherwise the regulator could show poor line and load regulation, stability issues as well as EMI problems. It is critical to provide a low inductance, impedance ground path. Therefore, use wide and short traces for the main current paths.

The input capacitor must be placed as close as possible to the IC pins as well as the inductor and output capacitor. Use a common ground node for power ground and a different one for control ground (AGND) to minimize the effects of ground noise. Connect these ground nodes together underneath the device and make sure that small signal components returning to the AGND pin and do not share the high current path of  $C_{IN}$  and  $C_{OUT}$ .

The feedback voltage sense line ( $V_{FB}$ ) should be connected right to the output capacitor and routed away from noisy components and traces (e.g., SW line). Its trace should be minimized and shielded by a guard-ring connected to the ground.

Figure 6. PCB layout suggestion

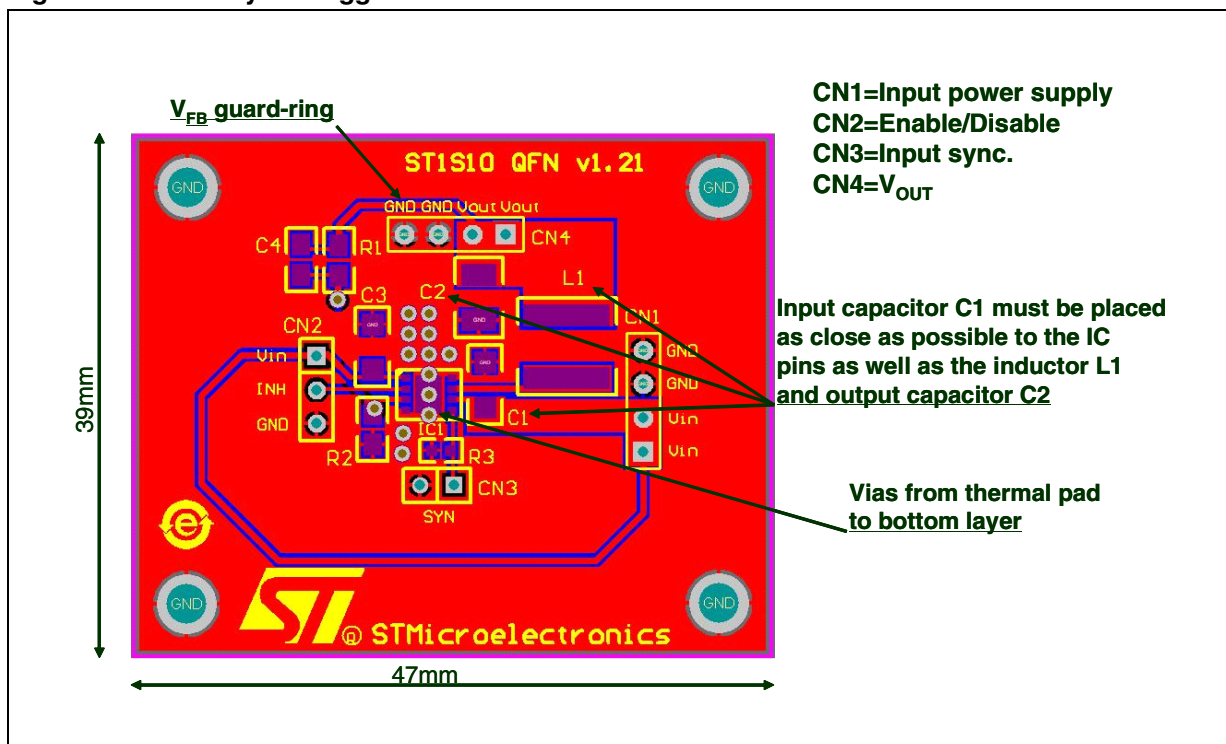
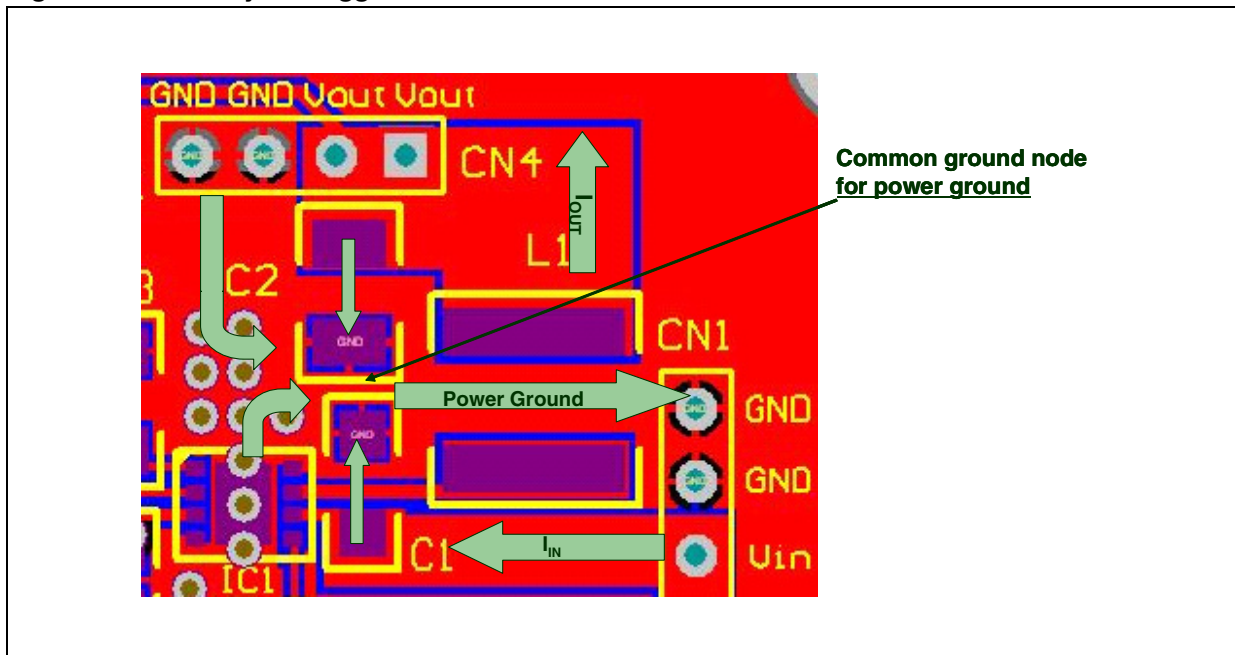




Figure 7. PCB layout suggestion

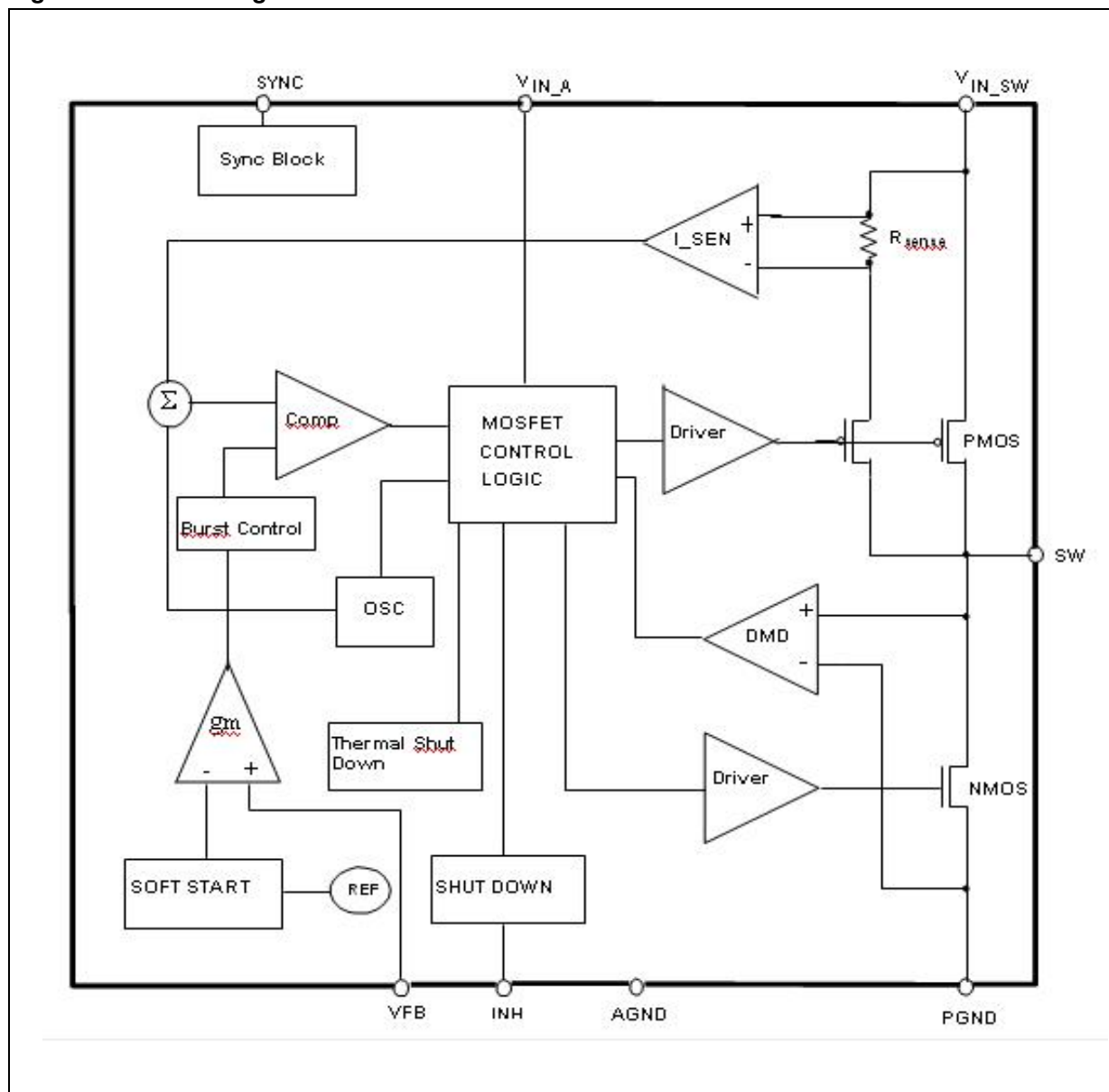


## 6.1 Thermal considerations

The lead frame die pad, of ST1S10, is exposed at the bottom of the package and must be soldered directly to a properly designed thermal pad on the PCB, the addition of thermal vias from the thermal pad to an internal ground plane will help increase power dissipation.

# 7 Diagram

Figure 8. Block diagram



## 8 Typical performance characteristics

Unless otherwise specified, refer to the typical application circuit under the following conditions:  $T_J = 25^\circ\text{C}$ ,  $V_{IN} = V_{IN-SW} = V_{IN-A} = V_{INH} = 12\text{ V}$ ,  $V_{SYNC} = \text{GND}$ ,  $V_{OUT} = 5\text{ V}$ ,  $I_{OUT} = 10\text{ mA}$ ,  $C_{IN} = 4.7\text{ }\mu\text{F} + 0.1\text{ }\mu\text{F}$ ,  $C_{OUT} = 22\text{ }\mu\text{F}$ ,  $L1 = 3.3\text{ }\mu\text{H}$

Figure 9. Voltage feedback vs. temperature

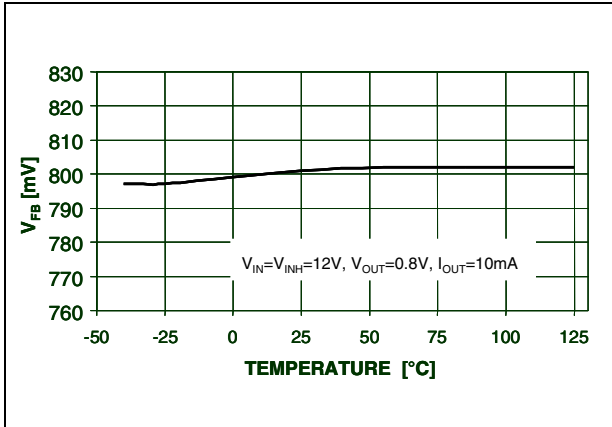


Figure 10. Oscillator frequency vs. temperature

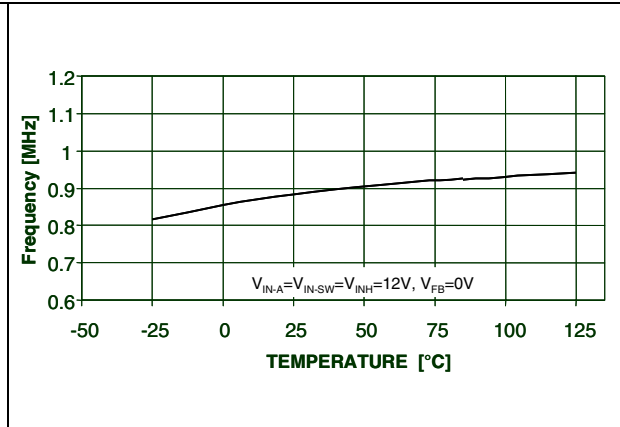


Figure 11. Max duty cycle vs. temperature

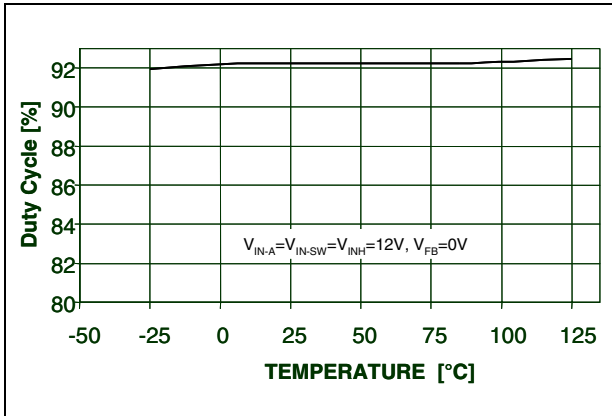


Figure 12. Inhibit threshold vs. temperature

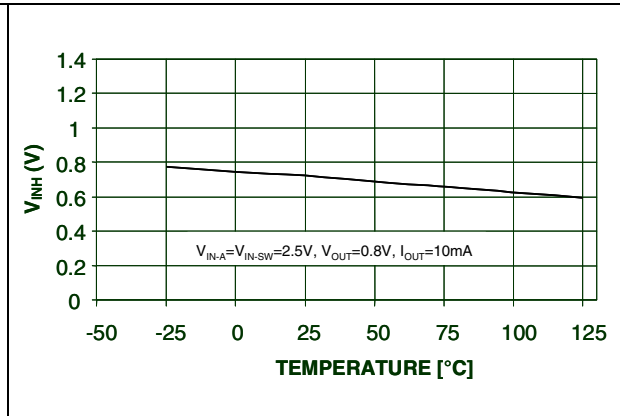


Figure 13. Reference line regulation vs. temperature

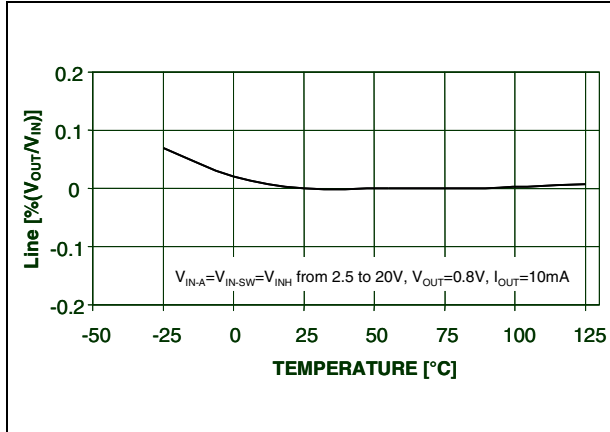


Figure 14. Reference load regulation vs. temperature

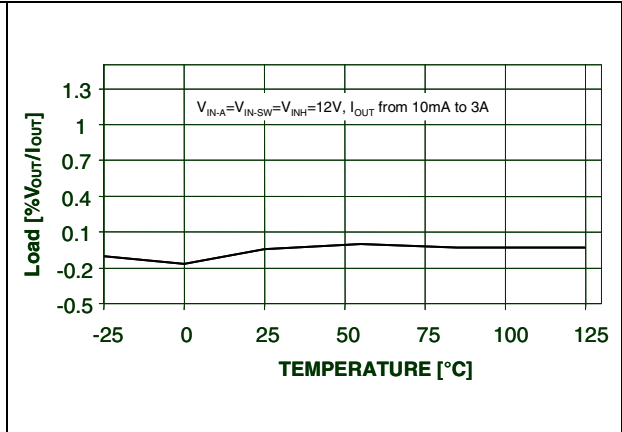


Figure 15. ON mode quiescent current vs. temperature

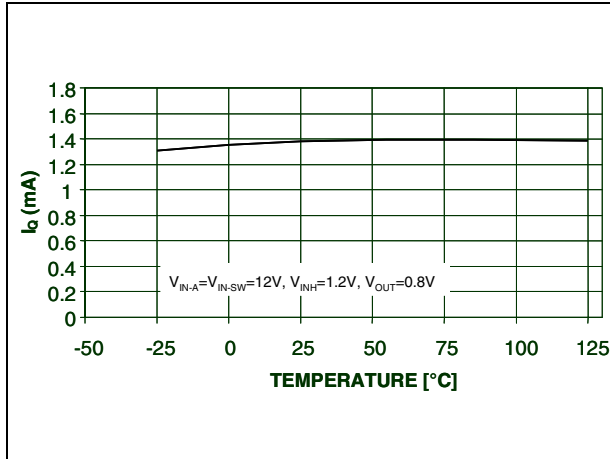


Figure 16. Shutdown mode quiescent current vs. temperature

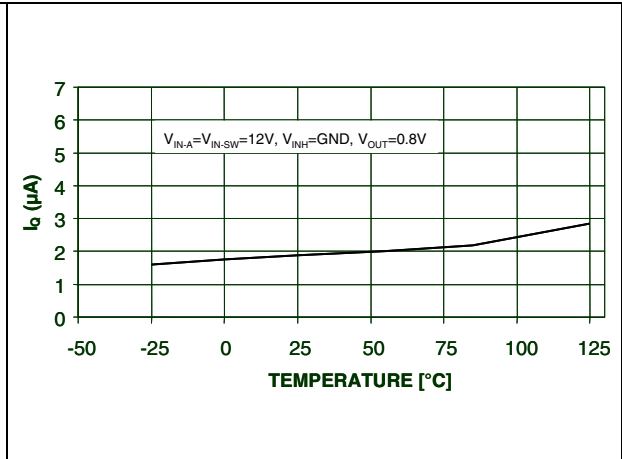


Figure 17. PMOS ON resistance vs. temperature

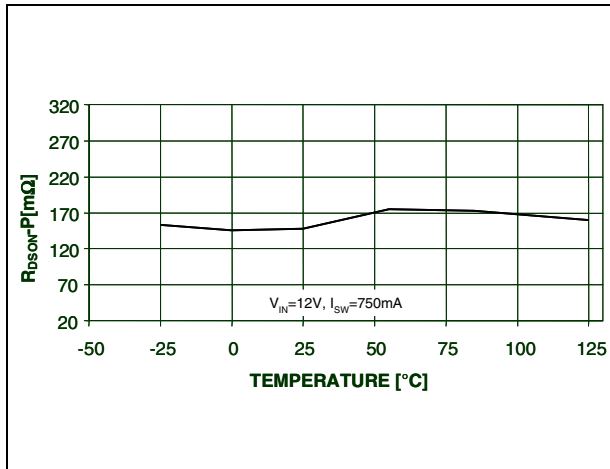


Figure 18. NMOS ON resistance vs. temperature

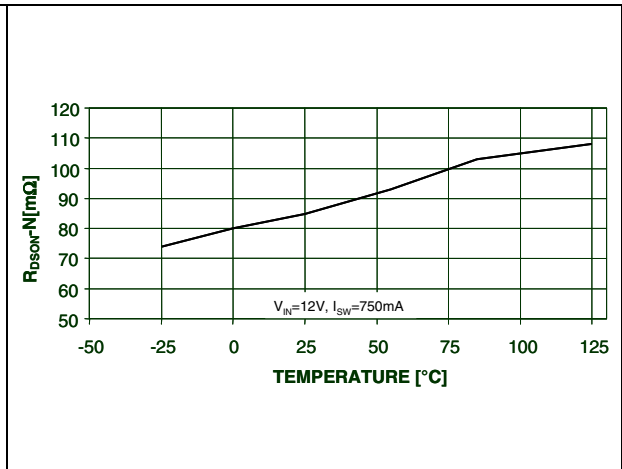


Figure 19. Efficiency vs. temperature

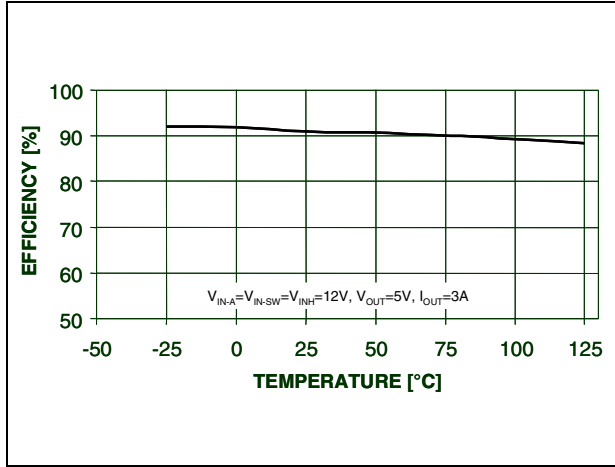


Figure 20. Efficiency vs. output current @  $V_{out} = 5 V$

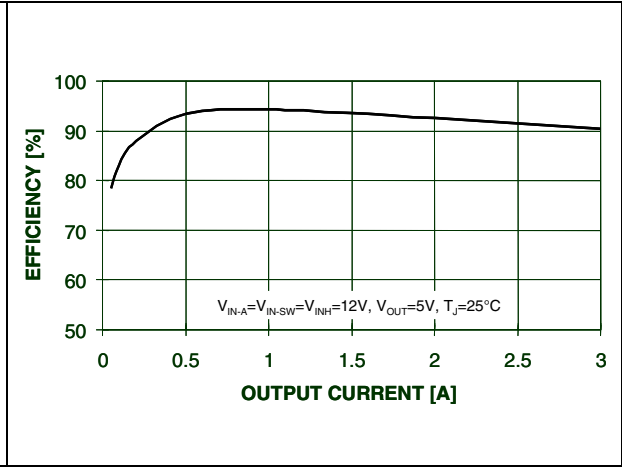


Figure 21. Efficiency vs. output current @  $V_{out} = 3.3 V$

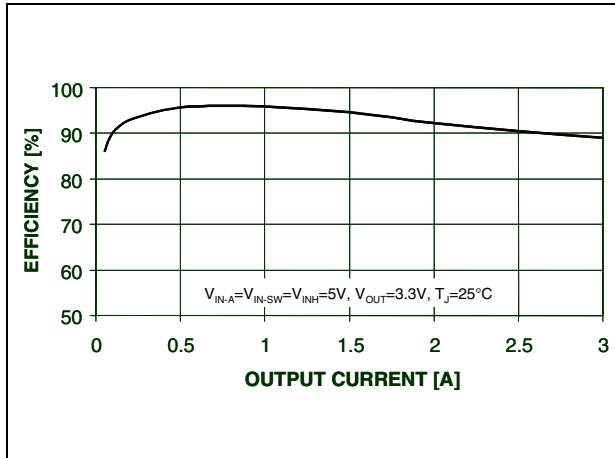
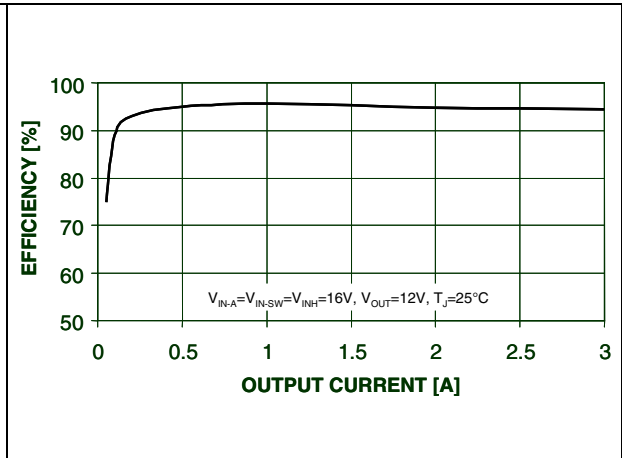


Figure 22. Efficiency vs. output current @  $V_{out} = 12 V$



## 9 Package mechanical data

In order to meet environmental requirements, ST offers these devices in different grades of ECOPACK® packages, depending on their level of environmental compliance. ECOPACK® specifications, grade definitions and product status are available at: [www.st.com](http://www.st.com). ECOPACK® is an ST trademark.

**Table 6. Power SO-8 (exposed pad) mechanical data**

Dim.	mm		
	Min.	Typ.	Max.
A			1.70
A1	0.00		0.15
A2	1.25		
b	0.31		0.51
c	0.17		0.25
D	4.80	4.90	5.00
D1	ACCORDING TO PAD SIZE		
E	5.80	6.00	6.20
E1	3.80	3.90	4.00
E2	ACCORDING TO PAD SIZE		
e		1.27	
h	0.25		0.50
L	0.40		1.27
K	0		8
ccc			0.10

*Note:* Dimension "D" does not include mold flash, protrusions or gate burrs. Mold flash, protrusions or gate burrs shall not exceed 0.15mm in total (both side).  
 Dimension "E1" does not include interlead flash or protrusions.  
 Interlead flash or protrusions shall not exceed 0.25mm per side.  
 The size of exposed pad is variable depending of leadframe design pad size.  
 End user should verify "D1" and "E2" dimensions for each device application

Figure 23. Power SO-8 (exposed pad) dimensions

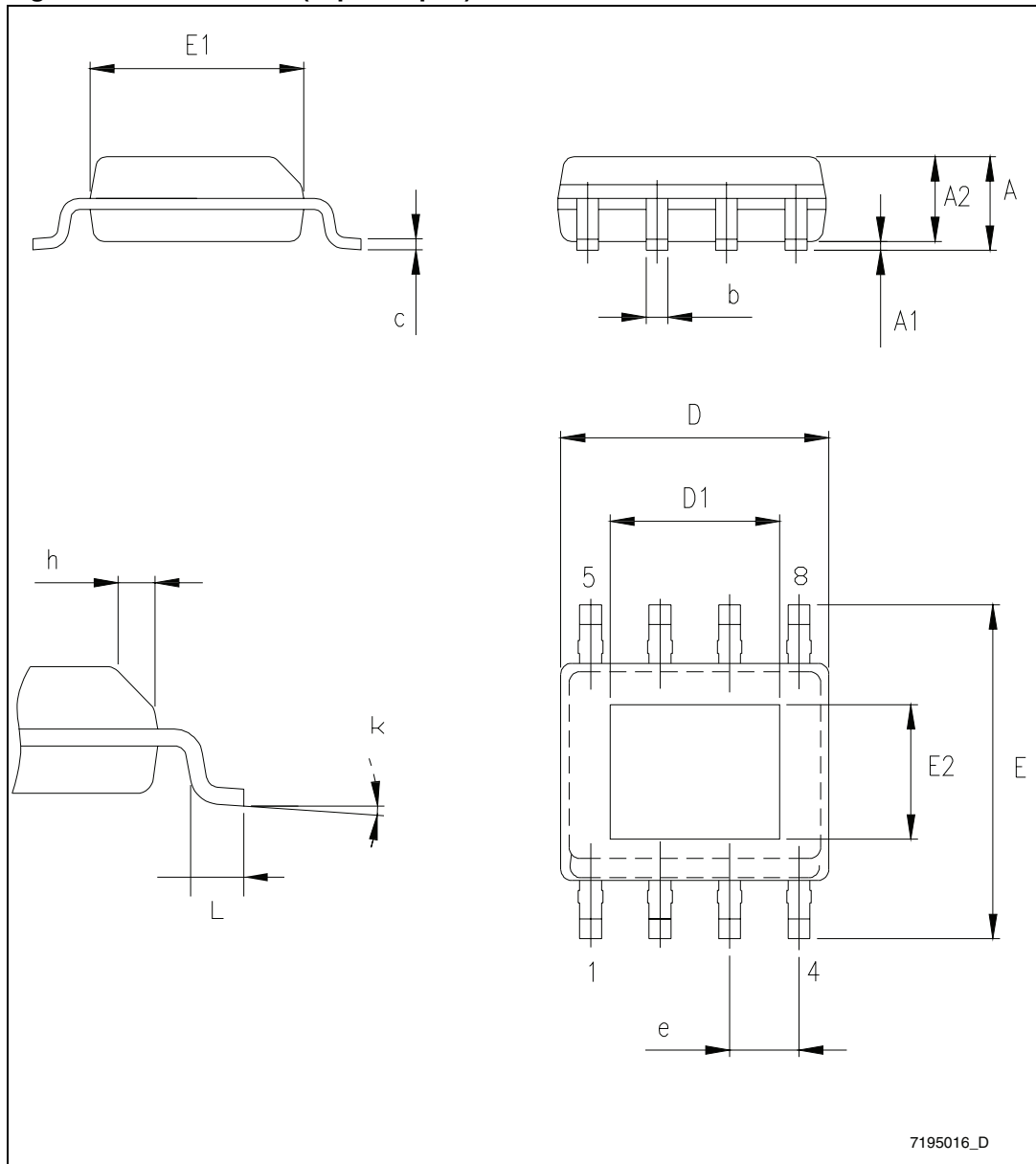
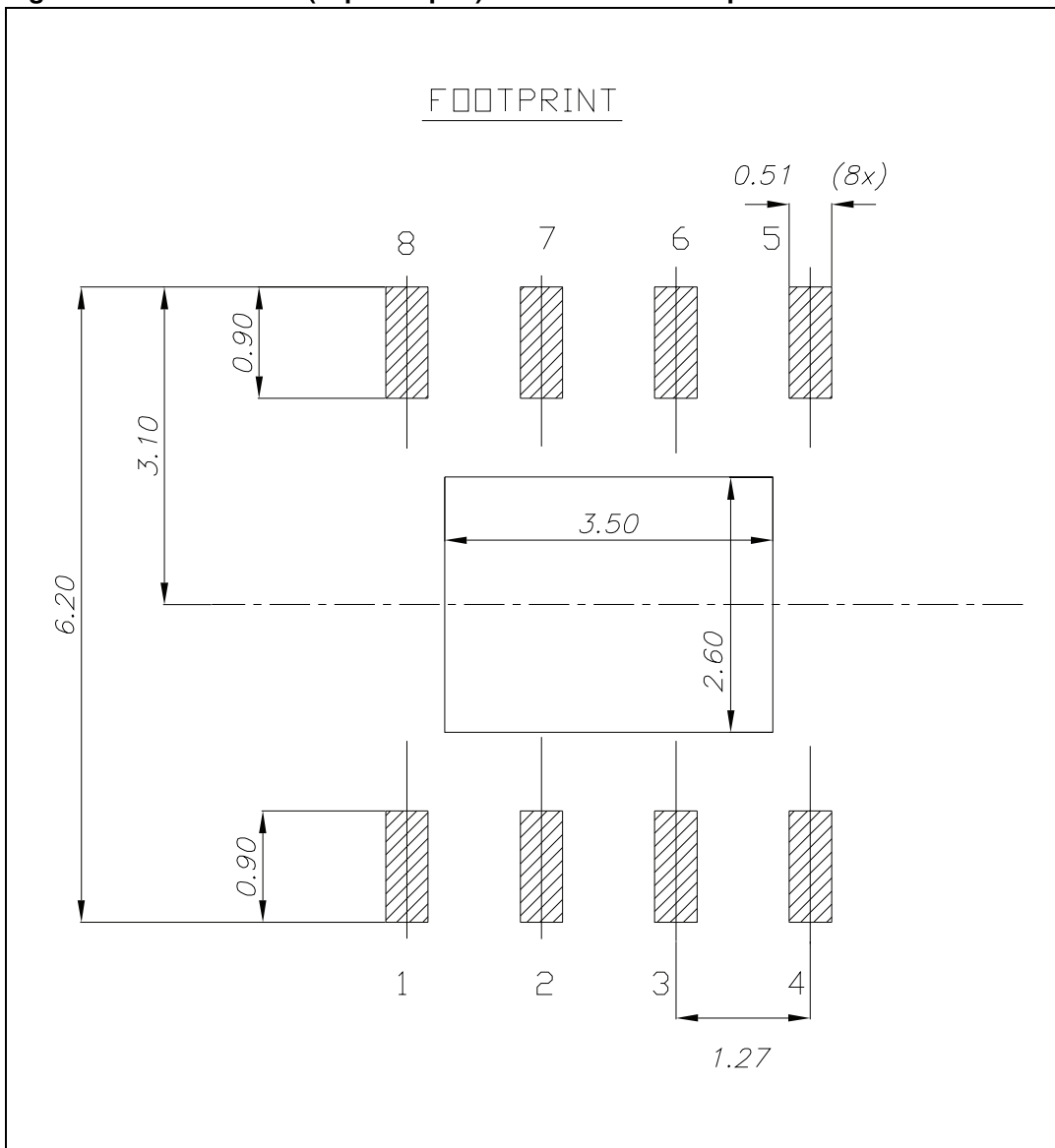


Figure 24. Power SO-8 (exposed pad) recommended footprint





**Table 7. Power SO-8 (exposed pad) tape and reel mechanical data**

Dim.	mm		
	Min.	Typ.	Max.
A			330
C	12.8		13.2
D	20.2		
N	60		
T			22.4
Ao	8.1		8.5
Bo	5.5		5.9
Ko	2.1		2.3
Po	3.9		4.1
P	7.9		8.1

**Figure 25. Power SO-8 (exposed pad) tape and reel dimensions**

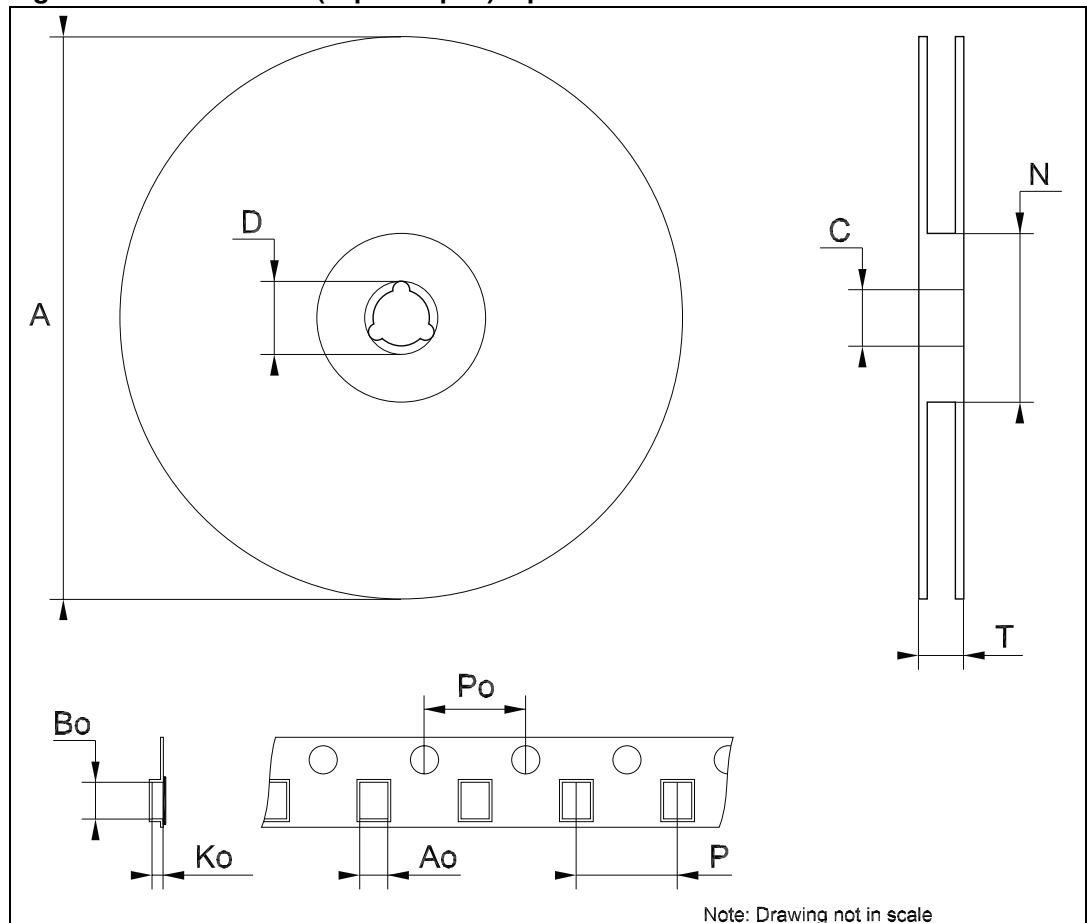


Table 8. DFN8 (4X4) mechanical data

Dim.	mm.		
	Min.	Typ.	Max.
A	0.80	0.90	1.00
A1	0	0.02	0.05
A3		0.20	
b	0.23	0.30	0.38
D	3.90	4.00	4.10
D2	2.82	3.00	3.23
E	3.90	4.00	4.10
E2	2.05	2.20	2.30
e		0.80	
L	0.40	0.50	0.60

Figure 26. DFN8 (4x4) dimensions

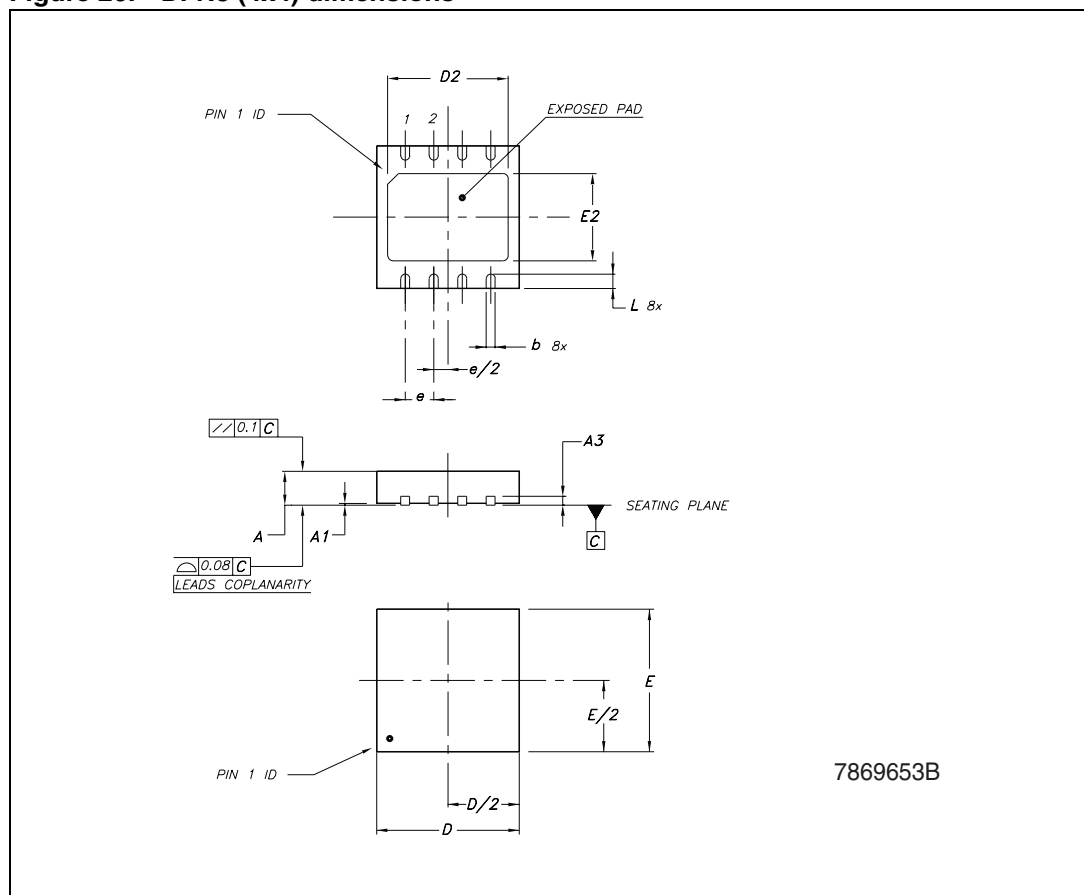
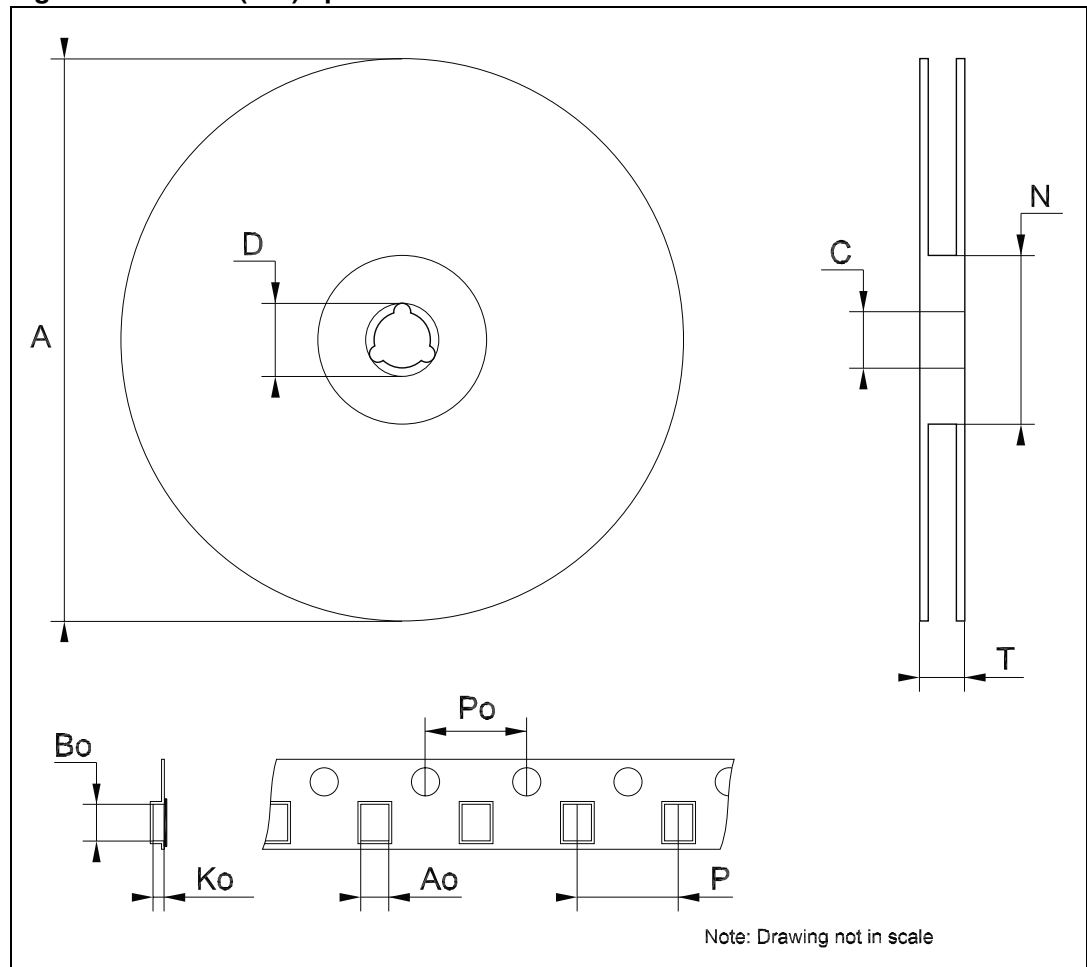


Table 9. DFN8 (4x4)tape and reel mechanical data

Dim.	mm		
	Min.	Typ.	Max.
A			330
C	12.8		13.2
D	20.2		
N	99		101
T			14.4
Ao		4.35	
Bo		4.35	
Ko		1.1	
Po		4	
P		8	

Figure 27. DFN8 (4x4)tape and reel dimensions



## 10 Revision history

**Table 10. Document revision history**

Date	Revision	Changes
28-Aug-2007	1	Initial release.
24-Sep-2007	2	Add $R_{thJC}$ on <a href="#">Table 4</a> .
25-Oct-2007	3	Added new paragraph <a href="#">6: Layout considerations</a> .
16-Mar-2010	4	Updated PowerSO-8 package mechanical data.
31-May-2012	5	Updated SO-8 (epad) and DFN8 (4x4) mechanical data. Changed temperature min from 25 °C to 40 °C in <a href="#">Table 4</a> , and in <a href="#">Section 4</a> .

**Please Read Carefully:**

Information in this document is provided solely in connection with ST products. STMicroelectronics NV and its subsidiaries ("ST") reserve the right to make changes, corrections, modifications or improvements, to this document, and the products and services described herein at any time, without notice.

All ST products are sold pursuant to ST's terms and conditions of sale.

Purchasers are solely responsible for the choice, selection and use of the ST products and services described herein, and ST assumes no liability whatsoever relating to the choice, selection or use of the ST products and services described herein.

No license, express or implied, by estoppel or otherwise, to any intellectual property rights is granted under this document. If any part of this document refers to any third party products or services it shall not be deemed a license grant by ST for the use of such third party products or services, or any intellectual property contained therein or considered as a warranty covering the use in any manner whatsoever of such third party products or services or any intellectual property contained therein.

**UNLESS OTHERWISE SET FORTH IN ST'S TERMS AND CONDITIONS OF SALE ST DISCLAIMS ANY EXPRESS OR IMPLIED WARRANTY WITH RESPECT TO THE USE AND/OR SALE OF ST PRODUCTS INCLUDING WITHOUT LIMITATION IMPLIED WARRANTIES OF MERCHANTABILITY, FITNESS FOR A PARTICULAR PURPOSE (AND THEIR EQUIVALENTS UNDER THE LAWS OF ANY JURISDICTION), OR INFRINGEMENT OF ANY PATENT, COPYRIGHT OR OTHER INTELLECTUAL PROPERTY RIGHT.**

**UNLESS EXPRESSLY APPROVED IN WRITING BY TWO AUTHORIZED ST REPRESENTATIVES, ST PRODUCTS ARE NOT RECOMMENDED, AUTHORIZED OR WARRANTED FOR USE IN MILITARY, AIR CRAFT, SPACE, LIFE SAVING, OR LIFE SUSTAINING APPLICATIONS, NOR IN PRODUCTS OR SYSTEMS WHERE FAILURE OR MALFUNCTION MAY RESULT IN PERSONAL INJURY, DEATH, OR SEVERE PROPERTY OR ENVIRONMENTAL DAMAGE. ST PRODUCTS WHICH ARE NOT SPECIFIED AS "AUTOMOTIVE GRADE" MAY ONLY BE USED IN AUTOMOTIVE APPLICATIONS AT USER'S OWN RISK.**

Resale of ST products with provisions different from the statements and/or technical features set forth in this document shall immediately void any warranty granted by ST for the ST product or service described herein and shall not create or extend in any manner whatsoever, any liability of ST.

ST and the ST logo are trademarks or registered trademarks of ST in various countries.

Information in this document supersedes and replaces all information previously supplied.

The ST logo is a registered trademark of STMicroelectronics. All other names are the property of their respective owners.

© 2012 STMicroelectronics - All rights reserved

STMicroelectronics group of companies

Australia - Belgium - Brazil - Canada - China - Czech Republic - Finland - France - Germany - Hong Kong - India - Israel - Italy - Japan - Malaysia - Malta - Morocco - Philippines - Singapore - Spain - Sweden - Switzerland - United Kingdom - United States of America

[www.st.com](http://www.st.com)

